



**Distributor of Hammond Manufacturing: Excellent Integrated System Limited**

Datasheet of 1412PP - BOX STEEL GRAY 5.99"L X 3.99"W

Contact us: [sales@integrated-circuit.com](mailto:sales@integrated-circuit.com) Website: [www.integrated-circuit.com](http://www.integrated-circuit.com)

---

## **Excellent Integrated System Limited**

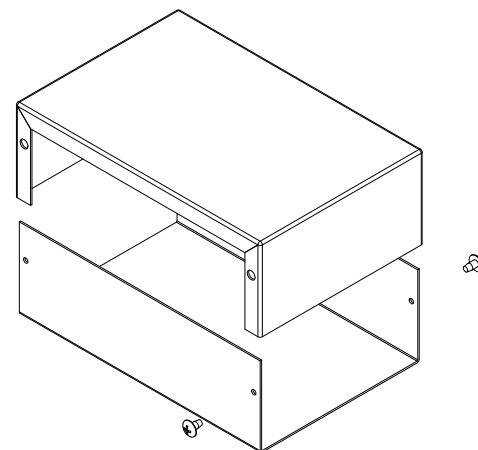
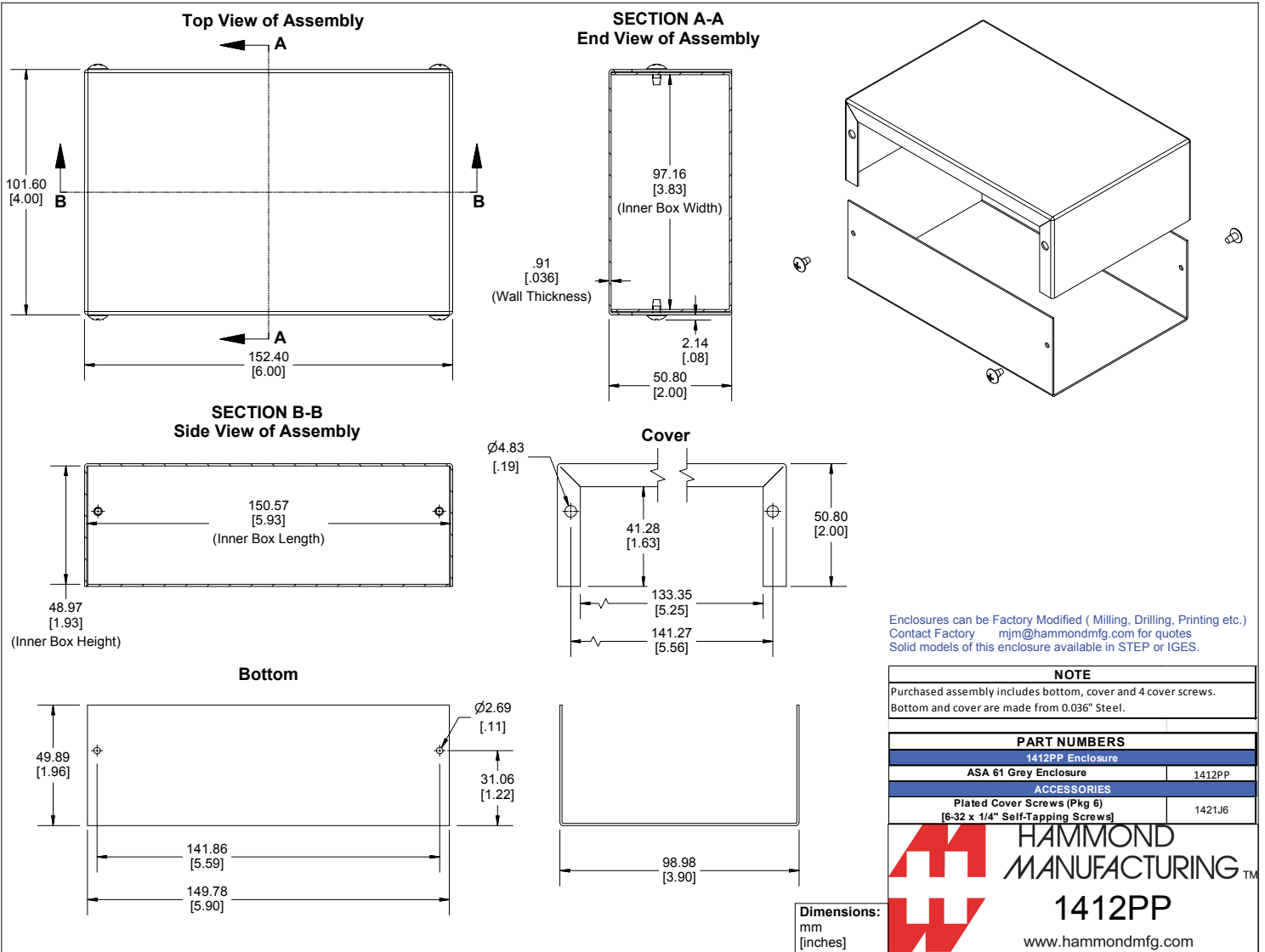
Stocking Distributor

Click to view price, real time Inventory, Delivery & Lifecycle Information:

[Hammond Manufacturing](#)  
[1412PP](#)

For any questions, you can email us directly:

[sales@integrated-circuit.com](mailto:sales@integrated-circuit.com)



Enclosures can be Factory Modified ( Milling, Drilling, Printing etc.)  
 Contact Factory [mjm@hammondmfg.com](mailto:mjm@hammondmfg.com) for quotes  
 Solid models of this enclosure available in STEP or IGES.

NOTE	
Purchased assembly includes bottom, cover and 4 cover screws. Bottom and cover are made from 0.036" Steel.	
PART NUMBERS	
1412PP Enclosure	
ASA 61 Grey Enclosure	1412PP
ACCESSORIES	
Plated Cover Screws (Pkg 6) [6-32 x 1/4" Self-Tapping Screws]	1421J6

**HAMMOND MANUFACTURING™**  
**1412PP**  
[www.hammondmfg.com](http://www.hammondmfg.com)