

Excellent Integrated System Limited

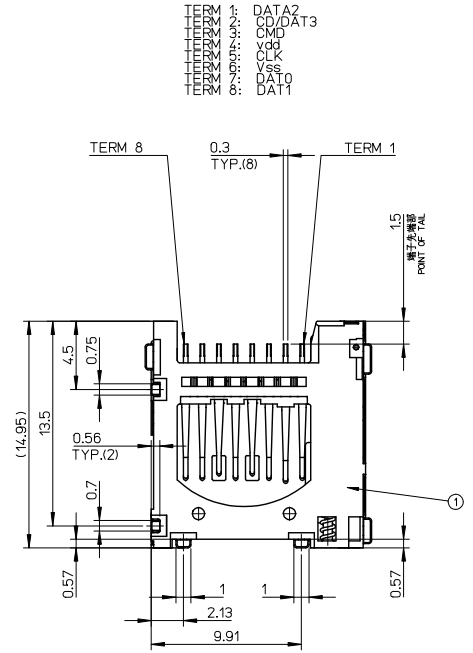
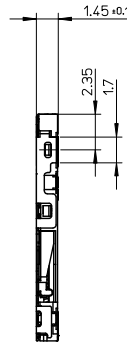
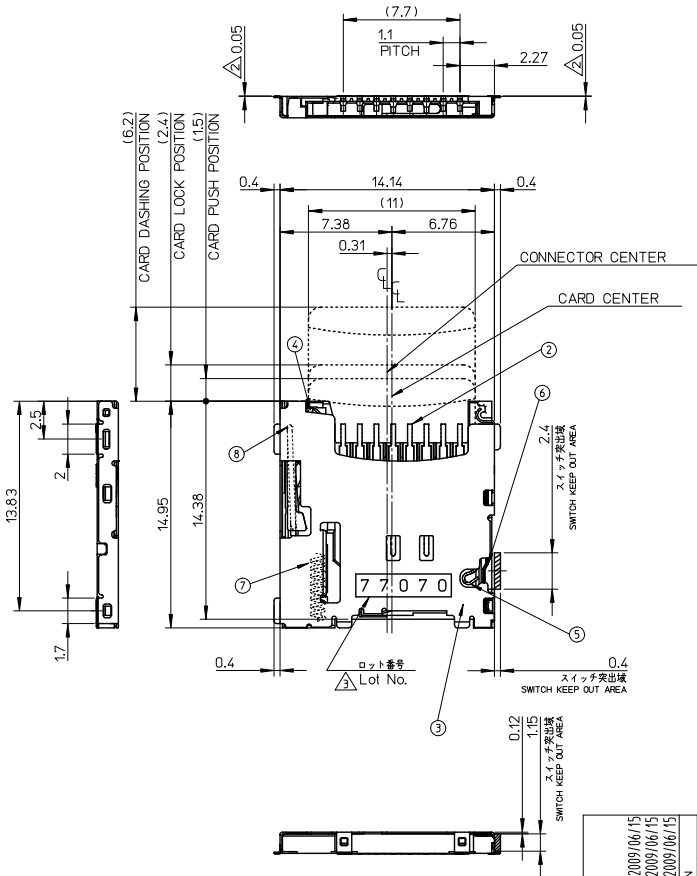
Stocking Distributor

Click to view price, real time Inventory, Delivery & Lifecycle Information:

[Molex Connector Corporation](#)
[5031820852](#)

For any questions, you can email us directly:

sales@integrated-circuit.com

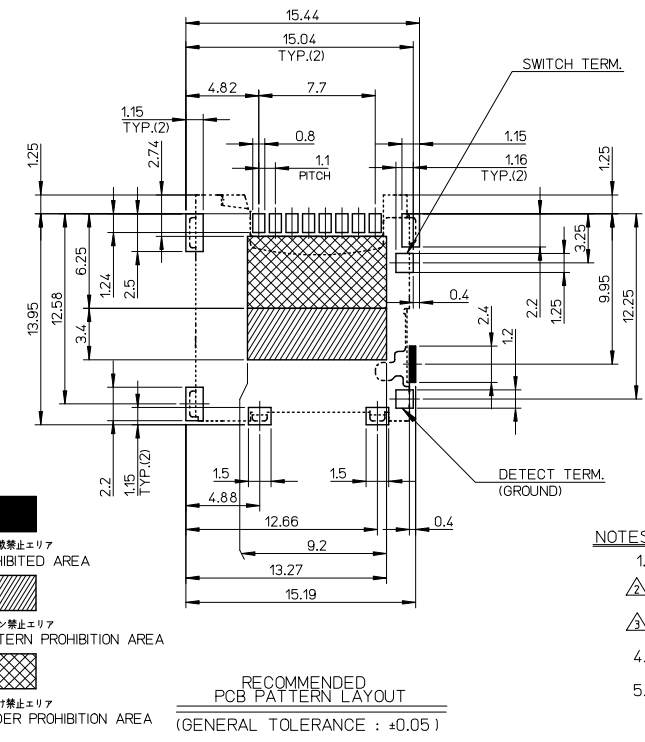


TERMINAL FUNCTION:
 DATA2
 CMD/DAT3
 CMO
 ydd
 CLK
 Vss
 DAT0
 DAT1

503182-0852	503182-0842	503182-08**
EMBOSSED TAPE	MATERIAL NO.	MODEL NO.
ORDER No. オーダー番号		

RELEASED IEC NO. J2009-2810 DRWN:YNAITO 2009/06/15 CHKD:MTOMITA 2009/06/15 APPR:MSASAO 2009/06/15 REV A	GENERAL TOLERANCES (UNLESS SPECIFIED)		DIMENSION STYLE	SCALE	DESIGN UNITS	THIRD ANGLE PROJECTION
	10 UNDER	± 0.2	MM ONLY	4:1	METRIC	
	10 OVER	30 UNDER	± 0.25	DRAWN BY	DATE	TITLE
	30 OVER		± 0.3	YNAITO	2009/06/01	MICRO SD CONN. NORMAL ULTRA LOW-PROFILE ASSY
	ANGULAR ±1 °		CHECKED BY	DATE	MOLEX INCORPORATED	
	DRAFT WHERE APPLICABLE MUST REMAIN WITHIN DIMENSIONS		MTOMITA	2009/06/01	MOLEX INCORPORATED	
			APPROVED BY	DATE	DOCUMENT NO. SD-503182-003	
			MSASAO	2009/06/01	SHEET NO. 1 OF 2	
			MATERIAL NO.	SEE CHART		
			SIZE A	THIS DRAWING CONTAINS INFORMATION THAT IS PROPRIETARY TO MOLEX INCORPORATED AND SHOULD NOT BE USED WITHOUT WRITTEN PERMISSION		

10 9 8 7 6 5 4 3 2 1



番号 No.	名称 NAME	材料 MATERIAL
①	ハウジング HOUSING	液晶ポリマー(LCP) LIQUID CRYSTAL POLYMER (LCP)
②	ターミナル TERMINAL	銅合金、接点部:金めっき 半田付部:錫めっき 下地:ニッケルめっき COPPER ALLOY, CONTACT AREA:GOLD TAIL AREA:TIN UNDER PLATING: NICKEL
③	メタルシェル METAL SHELL	ステンレス鋼、半田付け部:金めっき 下地:ニッケルめっき STAINLESS STEEL, TAIL AREA:GOLD UNDER PLATING: NICKEL
④	カムスライダ CAM SLIDER	液晶ポリマー(LCP) LIQUID CRYSTAL POLYMER (LCP)
⑤	ディテクトネイル DETECT NAIL	銅合金、接点部:金めっき 半田付部:金めっき 下地:ニッケルめっき COPPER ALLOY, CONTACT AREA:GOLD TAIL AREA:GOLD UNDER PLATING: NICKEL
⑥	スイッチネイル SWITCH NAIL	銅合金、接点部:金めっき 半田付部:金めっき 下地:ニッケルめっき COPPER ALLOY, CONTACT AREA:GOLD TAIL AREA:GOLD UNDER PLATING: NICKEL
⑦	スプリング SPRING	ピア線 SWP
⑧	カムピン CAM PIN	ステンレス鋼 STAINLESS STEEL

CONFIDENTIAL

NOTES

- ターミナル及びネイルの平坦度は0.1MAX.とする。
COPLANARITY OF TERMINAL AND NAIL IS TO BE 0.1MAX.
- ロット印字は任意とする。
LOT NUMBERING IS TO BE OPTIONAL.
- 肉抜き位置は任意とする。
CAVITY IS TO BE OPTIONAL.
- カード検知スイッチ DETECT SWITCH
- ロットNo. : 7 7 0 7 0
THE YEAR OF GRACE : 7 : 2007年
MONTH : 7月
DAY : 07日
ラインNo. LINE No.
- ELV及びRoHS適合品
ELV AND RoHS COMPLIANT.

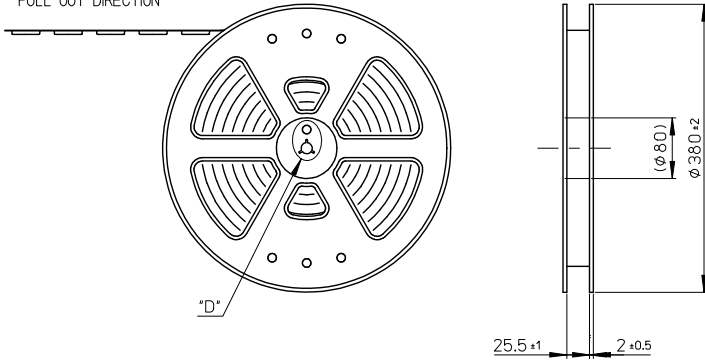
カード挿入時 CARD INSERTING POSITION	クローズ CLOSED
カード未挿入時 NO CARD POSITION	オープン OPEN

SEE SHEET 1 OF 2 EC NO. J2009-2810 DRAWN: YNAITO 2009/06/15 CHKD: MTOMITA 2009/06/15 APPR: MSASAO 2009/06/15	GENERAL TOLERANCES (UNLESS SPECIFIED)	DIMENSION STYLE MM ONLY	SCALE 4:1	DESIGN UNITS METRIC	THIRD ANGLE PROJECTION
	10 UNDER ±0.2	DRAWN BY YNAITO	DATE 2009/06/01	TITLE MICRO SD CONN. NORMAL ULTRA LOW-PROFILE ASSY	
	10 OVER 30 UNDER ±0.25	CHECKED BY MTOMITA	DATE 2009/06/01	MOLEX INCORPORATED	
	30 OVER ±0.3	APPROVED BY MSASAO	DATE 2009/06/01	DOCUMENT NO. SD-503182-003	
ANGULAR ±1 °	MATERIAL NO.		SHEET NO. 2 OF 2		
DRAFT WHERE APPLICABLE MUST REMAIN WITHIN DIMENSIONS	SEE CHART		THIS DRAWING CONTAINS INFORMATION THAT IS PROPRIETARY TO MOLEX INCORPORATED AND SHOULD NOT BE USED WITHOUT WRITTEN PERMISSION		

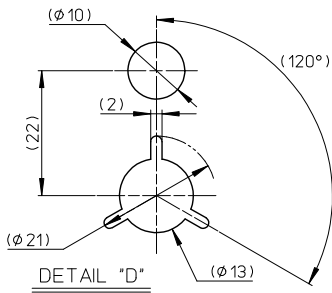
10 9 8 7 6 5 4 3 2 1

CONFIDENTIAL

引き出し方向
PULL OUT DIRECTION



"D"



NOTES

1. 製品詳細寸法は製品単体図面を参照して下さい。
FOR DETAIL OF CONNECTOR DIMENSIONS, PLEASE SEE THE DRAWING OF CONNECTOR ITSELF (NOT PACKAGED).

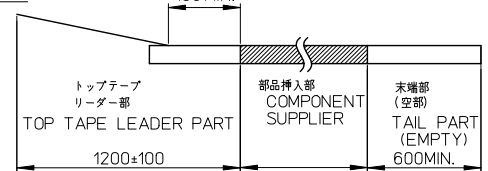
2. 梱包数量: 1600個/リール
NUMBER OF CONNECTORS: 1600 PCS/REEL.

3. リードテープ長さ LEAD TAPE LENGTH.

トップテープ接着部
TOP TAPE BONDED PART.

(空エンボス)

引き出し方向
PULL OUT DIRECTION



4. 材料 MATERIAL

キャリアテープ(CARRIER TAPE): ポリスチレン (POLYSTYRENE)

トップテープ(TOP TAPE): PET, PE, PEF

リール(REEL): ポリスチレン(PS)<リサイクル材含む>

POLYSTYRENE (PS)<RECYCLE MATERIAL CONTAINED>

5. ELV AND RoHS COMPLIANT

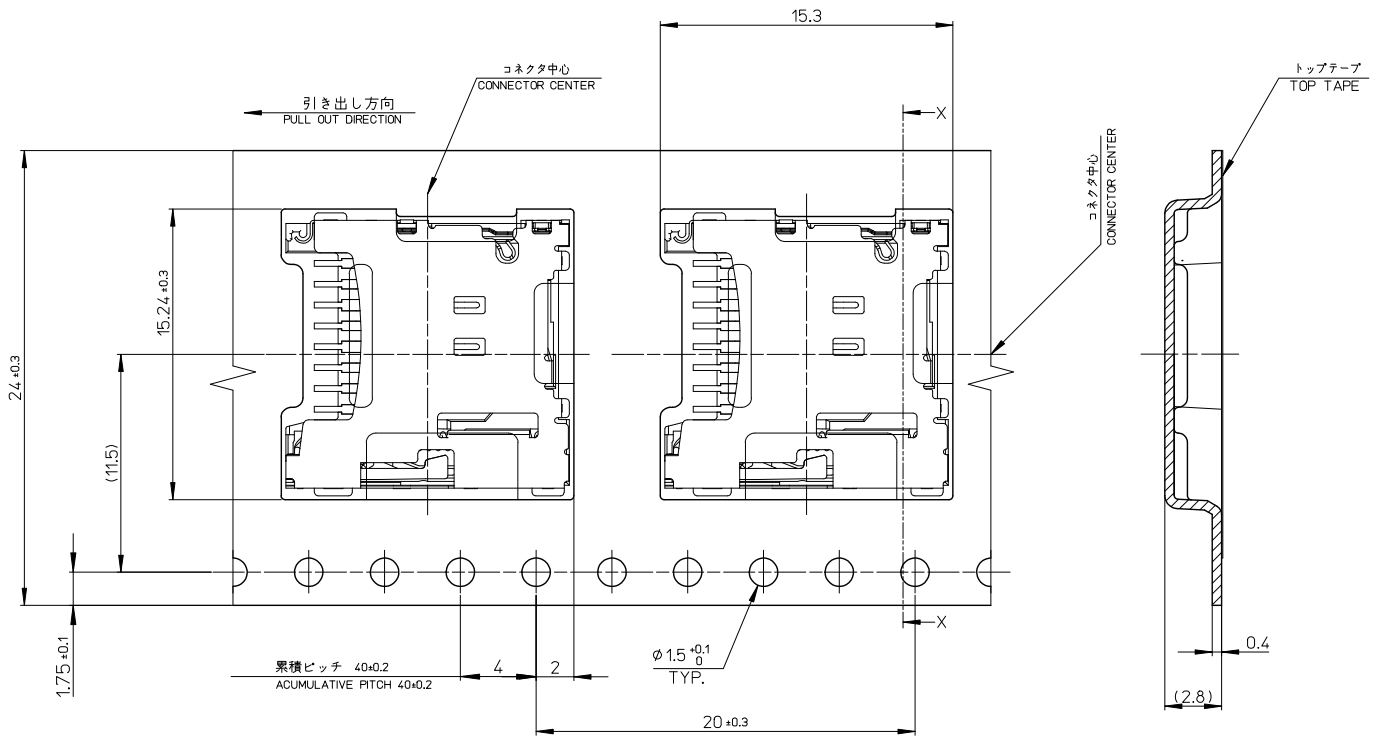
503182-0842	503182-0852	503182-08**
CONNECTOR ONLY	MATERIAL NO.	MODEL NO.
ORDER No. オーダー番号		

RELEASED EC NO: J2009-2810 DRAWN BY: YNAITO 2009/06/15 CHKD BY: TOMITA 2009/06/15 APPR: MSASAO 2009/06/15	GENERAL TOLERANCES (UNLESS SPECIFIED)	DIMENSION STYLE MM ONLY	SCALE ---	DESIGN UNITS METRIC	THIRD ANGLE PROJECTION
	10 UNDER ± 0.2	DRAWN BY YNAITO	DATE 2009/06/01	TITLE MICRO SD CONN. ULTRA LOW-PRO EMBOSSSED TAPE PACKAGE	
	10 OVER 30 UNDER ± 0.25	CHECKED BY TOMITA	DATE 2009/06/01	MOLEX INCORPORATED	
	30 OVER ± 0.3	APPROVED BY MSASAO	DATE 2009/06/01	SHEET NO. 1 OF 2	
ANGULAR ± 1 °	DRAFT WHERE APPLICABLE MUST REMAIN WITHIN DIMENSIONS		MATERIAL NO. SEE CHART	DOCUMENT NO. SD-503182-004	
A	THIS DRAWING CONTAINS INFORMATION THAT IS PROPRIETARY TO MOLEX INCORPORATED AND SHOULD NOT BE USED WITHOUT WRITTEN PERMISSION				

9 8 7 6 5 4 3 2 1 EN-02JA(021)

10 9 8 7 6 5 4 3 2 1

CONFIDENTIAL



SECTION. X-X

SEE SHEET 1 OF 2 IEC NO. J2009-2810 DRAWN BY: YNAITO 2009/06/15 CHECKED BY: CHIKDANTOMITA 2009/06/15 APPROVED BY: MSASAO 2009/06/15	GENERAL TOLERANCES (UNLESS SPECIFIED)		DIMENSION STYLE MM ONLY		SCALE 5:1	DESIGN UNITS METRIC	THIRD ANGLE PROJECTION
	10 UNDER	± 0.2	DRAWN BY YNAITO	DATE 2009/06/01	MICRO SD CONN. ULTRA LOW-PRO EMBOSSED TAPE PACKAGE MOLEX INCORPORATED		
	10 OVER 30 UNDER	± 0.25	CHECKED BY MTOMITA	DATE 2009/06/01			
	30 OVER	± 0.3	APPROVED BY MSASAO	DATE 2009/06/01			
ANGULAR ±1°		DRAFT WHERE APPLICABLE MUST REMAIN WITHIN DIMENSIONS		MATERIAL NO.	SEE SHEET 1 OF 2	DOCUMENT NO. SD-503182-004	SHEET NO. 2 OF 2
THIS DRAWING CONTAINS INFORMATION THAT IS PROPRIETARY TO MOLEX INCORPORATED AND SHOULD NOT BE USED WITHOUT WRITTEN PERMISSION							