



## **Excellent Integrated System Limited**

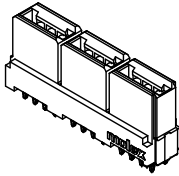
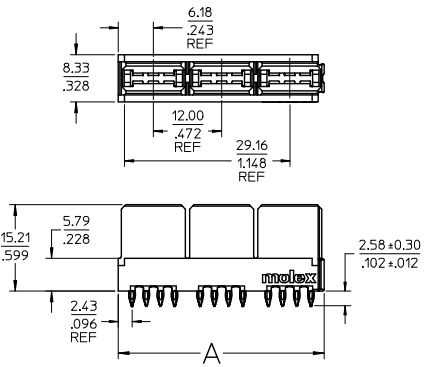
Stocking Distributor

Click to view price, real time Inventory, Delivery & Lifecycle Information:

[Molex Connector Corporation](#)  
[0461120201](#)

For any questions, you can email us directly:  
[sales@integrated-circuit.com](mailto:sales@integrated-circuit.com)

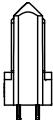
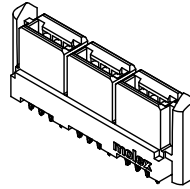
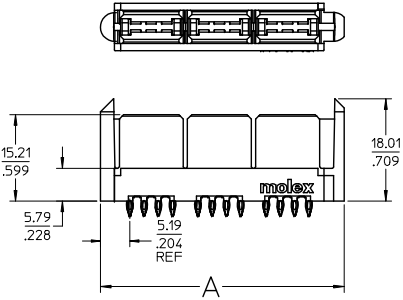
P/N 46112-601 SHOWN



NOTES:

1. MATERIAL: HOUSING: LCP, 94-V0, COLOR: BLACK.  
POWER CONTACTS: COPPER ALLOY.  
SIGNAL CONTACTS: MODIFIED TIN BRASS.
2. FINISH: SELECT GOLD - 0.75 μM/30 μ INCHES  
SELECTED TIN - 191 μM/75 μ INCHES
3. POWER CONTACTS ARE LUBRICATED IN CONTACT AREA.
4. PARTS ARE ROHS COMPLIANT.
5. MATES TO MOLEX P/N 45985-SERIES OR EDGE CARD 1571.062.
6. PRODUCT SPECIFICATION PS-46114-001.
7. PACKAGING: PER PK-46114-003.

P/N 46112-603 SHOWN



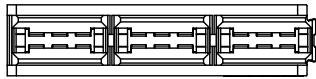
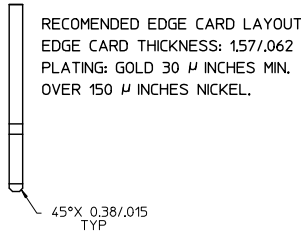
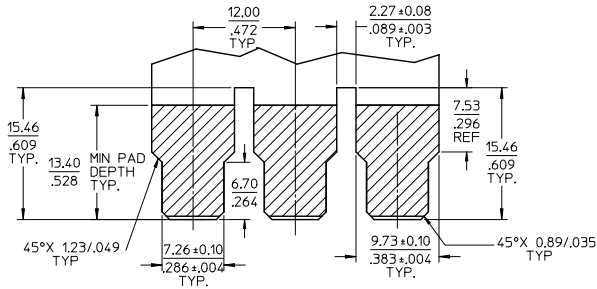
POWER HOUSING ASSY W/ INTERLOCK

| NO OF CKT | MATERIAL NUMBER | COMPLIANT PIN PLATING | DIM A       | DIM B SEE SHT 2 | DIM C SEE SHT 2 |
|-----------|-----------------|-----------------------|-------------|-----------------|-----------------|
| 2         | 46112-0201      | TIN                   | 12.24/1.482 | 12.75/1.502     | 2.69/1.106      |
| 4         | 46112-0401      | TIN                   | 24.24/1.954 | 24.74/1.974     |                 |
| 6         | 46112-0601      | TIN                   | 36.24/1.427 | 36.75/1.447     |                 |
| 8         | 46112-0801      | TIN                   | 48.24/1.899 | 48.74/1.919     |                 |
| 10        | 46112-1001      | TIN                   | 60.24/2.372 | 60.76/2.392     |                 |
| 12        | 46112-1201      | TIN                   | 75.00/2.953 | 75.51/2.973     |                 |
| 14        | 46112-1401      | TIN                   | 84.24/3.317 | 84.76/3.337     |                 |

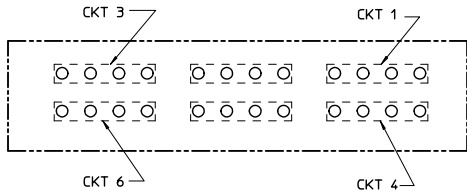
POWER HOUSING ASSY WITH (2) GUIDES

| NO OF CKT | MATERIAL NUMBER | COMPLIANT PIN PLATING | DIM A       | DIM B       | DIM C     |
|-----------|-----------------|-----------------------|-------------|-------------|-----------|
| 2         | 46112-0203      | TIN                   | 18.94/1.746 | 19.46/1.766 | 5.45/2.15 |
| 4         | 46112-0403      | TIN                   | 30.94/1.218 | 31.45/1.238 |           |
| 6         | 46112-0603      | TIN                   | 42.94/1.691 | 43.46/1.711 |           |
| 8         | 46112-0803      | TIN                   | 54.94/2.163 | 55.45/2.183 |           |
| 10        | 46112-1003      | TIN                   | 66.94/2.635 | 67.44/2.655 |           |
| 12        | 46112-1203      | TIN                   | 78.94/3.108 | 79.45/3.128 |           |
| 14        | 46112-1403      | TIN                   | 90.94/3.580 | 91.44/3.600 |           |

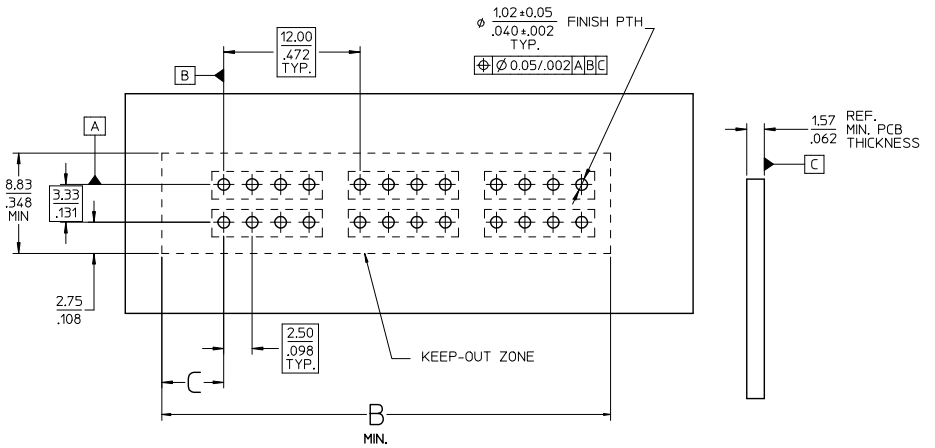
|   |                     |  |                       |   |  |                        |
|---|---------------------|--|-----------------------|---|--|------------------------|
| REMOVE TIN/LEAD<br>EC. NO: UCP 2016-2607<br>DRAWINGS: 2015/12/24<br>CHKCD: /<br>APPR: HPI/SZC/ZOR 2016/01/20<br>DESCRIPTION: /<br>REV: C5 | QUALITY SYMBOLS     | GENERAL TOLERANCES (UNLESS SPECIFIED)                | DIMENSION STYLE IN/MM | SCALE 2:1   | DESIGN UNITS INCH                      | THIRD ANGLE PROJECTION |
|   | ▽=0                 | 4 PLACES ± --- ± ---                                 | DRAWN BY DATE         | TITLE   | LPH VERTICAL RECEPTACLE POWER ASSEMBLY | 1 OF 2                 |
|   | ▽=0                 | 3 PLACES ± --- ± .010                                | CHECKED BY DATE       |   |  |                        |
|   | ▽=0                 | 2 PLACES ± 0.25 ± ---                                | APPROVED BY DATE      | JCOMERC I 2009/12/03  | DOCUMENT NO.                           | SD-46112-200           |
|   | 1 PLACE ± --- ± --- | ANGULAR ± 1/2°                                       | SEE CHART             | THIS DRAWING CONTAINS INFORMATION THAT IS PROPRIETARY TO MOLEX INCORPORATED AND SHOULD NOT BE USED WITHOUT WRITTEN PERMISSION |  |                        |
|   | 0 PLACE ± --- ± --- | DRAFT WHERE APPLICABLE MUST REMAIN WITHIN DIMENSIONS |                       |   |  |                        |



P/N 46112-601 SHOWN



PCB LAYOUT: COMPONENT SIDE  
SCALE 4:1



PCB COMPONENT SIDE  
SCALE 4:1

|   |                 |  |                      |   |  |                        |
|---|-----------------|--|----------------------|---|--|------------------------|
| SEE SHEET 1<br>EC NO: UCP2016-2607<br>DRAWING NO: 201512/24<br>CHKD: APPROB: SZCZOR<br>DATE: 2016/01/20 | QUALITY SYMBOLS | GENERAL TOLERANCES (UNLESS SPECIFIED)                | DIMENSION STYLE      | SCALE   | DESIGN UNITS                           | THIRD ANGLE PROJECTION |
|   | ▽=0             | mm INCH  | IN/MM                | 3:1   | INCH                                   | ☉                      |
|   | ▽=0             | 4 PLACES ± --- ± ---                                 | DRAWN BY DATE        | TITLE   | LPH VERTICAL RECEPTACLE POWER ASSEMBLY |                        |
|   | ▽=0             | 3 PLACES ± --- ± .010                                | CHECKED BY DATE      | 2 CKT-14 CKT. PRESS-FIT   |  |                        |
|   |                 | 2 PLACES ± 0.25 ± ---                                | APPROVED BY DATE     |   |  |                        |
|   |                 | 1 PLACE ± --- ± ---                                  | JCOMERC   2009/12/03 |   |  |                        |
|   |                 | 0 PLACE ± --- ± ---                                  | MATERIAL NO.         | DOCUMENT NO.  | SD-46112-200                           |                        |
|   |                 | ANGULAR ± 1/2°                                       | SEE CHART            | SHEET NO. 2 OF 2  |  |                        |
|   |                 | DRAFT WHERE APPLICABLE MUST REMAIN WITHIN DIMENSIONS | SIZE C               | THIS DRAWING CONTAINS INFORMATION THAT IS PROPRIETARY TO MOLEX INCORPORATED AND SHOULD NOT BE USED WITHOUT WRITTEN PERMISSION |  |                        |