

## Excellent Integrated System Limited

Stocking Distributor

Click to view price, real time Inventory, Delivery & Lifecycle Information:

[Comair Rotron](#)  
[19031491A](#)

For any questions, you can email us directly:

[sales@integrated-circuit.com](mailto:sales@integrated-circuit.com)

# SPECIFICATIONS

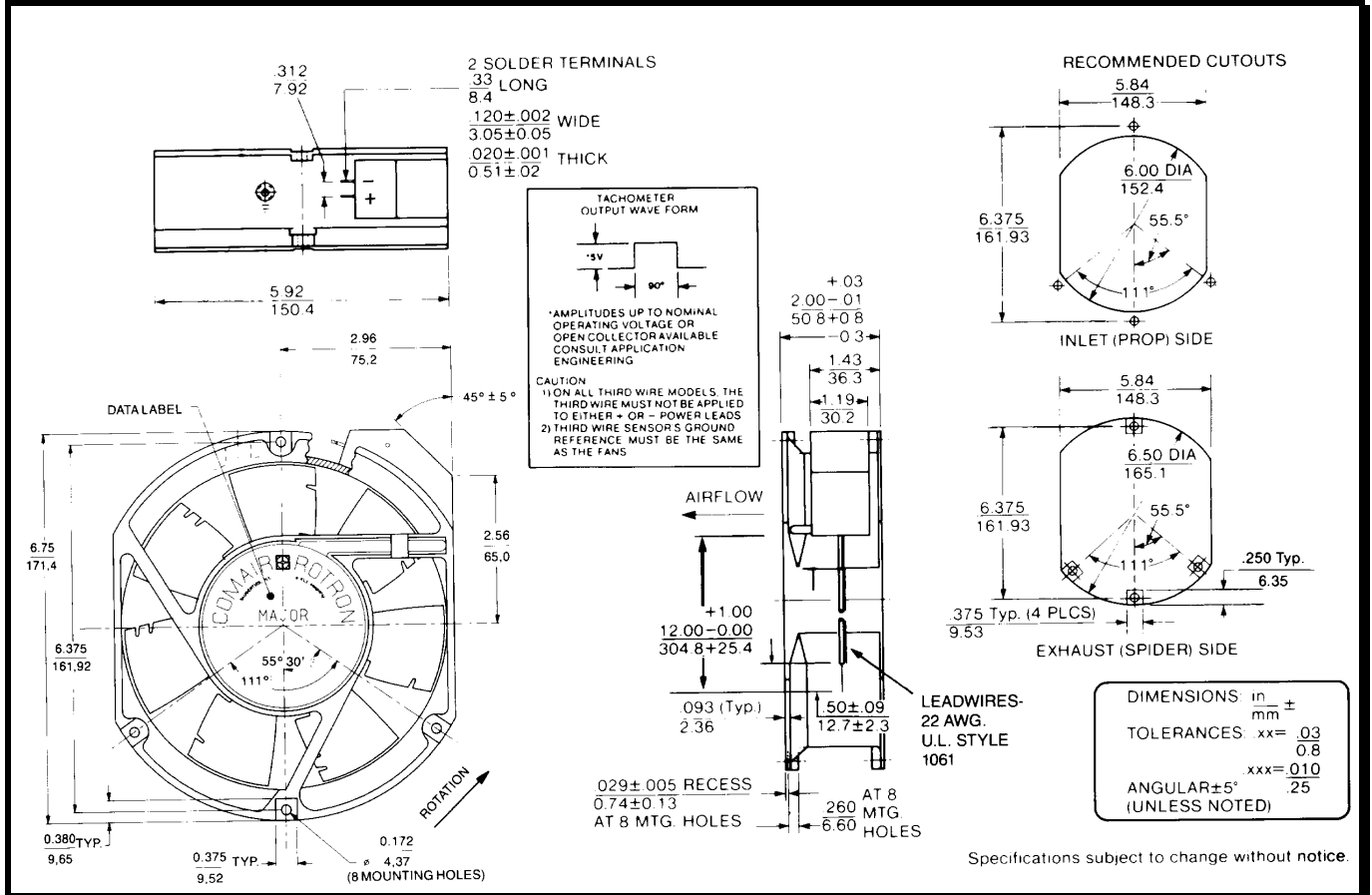
(RoHS Compliant)



**Model Number:** JQ24B7  
**Part Number:** 19031491A  
**SPEC Number:** 26007458A Rev:01

November 9, 2012

## Mechanical Drawing:



### Motor:

Nominal Voltage = 24 vdc  
 Operating Voltage Range = 12 - 28 vdc  
 Nominal Running Current = 0.85 amps  
 Locked Rotor Current = 1.50 amps  
 Running Power = 20.3 watts  
 Average Speed = 3500 rpm  
 Bearings = Ball  
 Air Flow = 235 cfm  
 Acoustic = 54.3 dBA

### Construction:

Venturi: Die-Cast Aluminum, Black  
 Propeller: Plastic, Black, UL 94V-0

### Life Expectancy:

This fan is designed for continuous duty life of 75,000 hours at 40°C.

### Agencies:

UL, CE

### Additional Features:

Brushless DC motor  
 Locked Rotor Protection  
 Polarity Protected  
 Automatic Restart Capability  
 Operating Temperature: -10°C to 70°C  
 Storage Temperature: -40°C to 85°C

### Tachometer:

Output: 5 Vdc TTL Compatible  
 I<sub>c</sub>: 5 mA Typical  
 Pulses Per Revolution: 2  
 Isolated: No

### Termination:

12.0" Lead wires, 22 AWG, UL1061  
 Red = Fan (Power)  
 Black = Fan (Return)  
 Blue/White = Tachometer (Output)