

Excellent Integrated System Limited

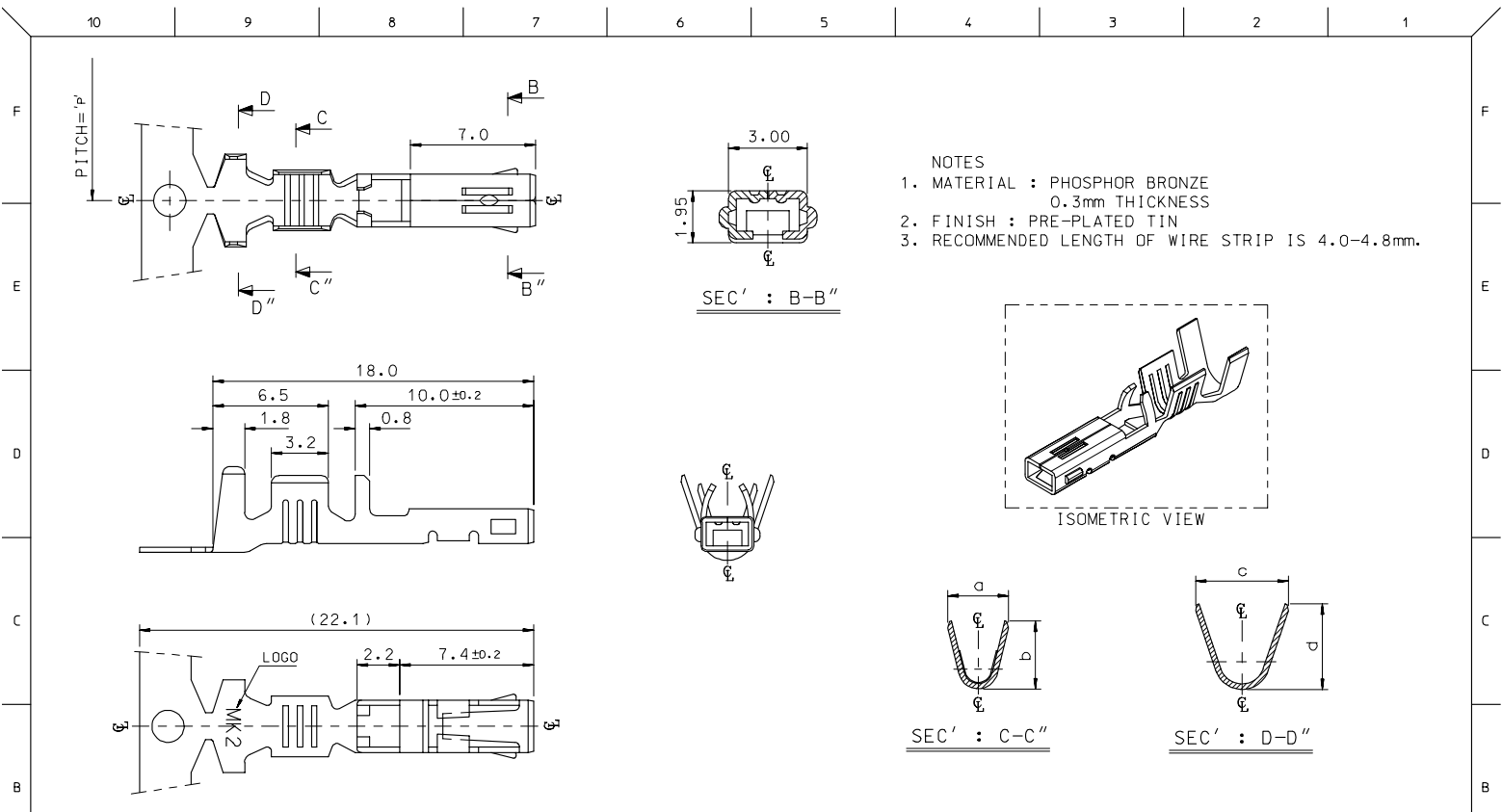
Stocking Distributor

Click to view price, real time Inventory, Delivery & Lifecycle Information:

[Molex Connector Corporation](#)
[0357460210](#)

For any questions, you can email us directly:

sales@integrated-circuit.com



- NOTES
1. MATERIAL : PHOSPHOR BRONZE
0.3mm THICKNESS
 2. FINISH : PRE-PLATED TIN
 3. RECOMMENDED LENGTH OF WIRE STRIP IS 4.0-4.8mm.

MATERIAL NO	ENG. No.	AWG	a	b	c	d	PITCH P
357460210	35746-0210	#18-#14	3.4	3.8	5.2	4.8	12.0
357460110	35746-0110	#22-#20	2.85	2.8	4.2	4.0	10.6
357460410	35746-0410	#24	2.2	1.75	3.85	3.5	10.6

REVISED EC NO: KOR2008-0087 DRAWN: HIRAKO1 2007/11/15 CHKDWT: YANG 2007/11/15 APPR: YUNSIKIM 2007/11/15	QUALITY SYMBOLS ▽=0 ▽=0	GENERAL TOLERANCES (UNLESS SPECIFIED)		DIMENSION STYLE MM ONLY		SCALE 4:1	DESIGN UNITS METRIC	THIRD ANGLE PROJECTION
		4 PLACES ± --- ± --- 3 PLACES ± --- ± --- 2 PLACES ± 0.3 ± --- 1 PLACE ± 0.3 ± ---	mm INCH	DRAWN BY BK.CHOI	DATE 1992/11/17	TITLE .070 FEMALE TERMINAL (A-TYPE)		
DRAFT WHERE APPLICABLE MUST REMAIN WITHIN DIMENSIONS		ANGULAR ± 1 °		CHECKED BY BK.CHOI	DATE 1992/11/17	MOLEX INCORPORATED		SHEET NO. 1 OF 01
MATERIAL NO. SEE TABLE				DOCUMENT NO. SD-35746-001		THIS DRAWING CONTAINS INFORMATION THAT IS PROPRIETARY TO MOLEX INCORPORATED AND SHOULD NOT BE USED WITHOUT WRITTEN PERMISSION		