

Excellent Integrated System Limited

Stocking Distributor

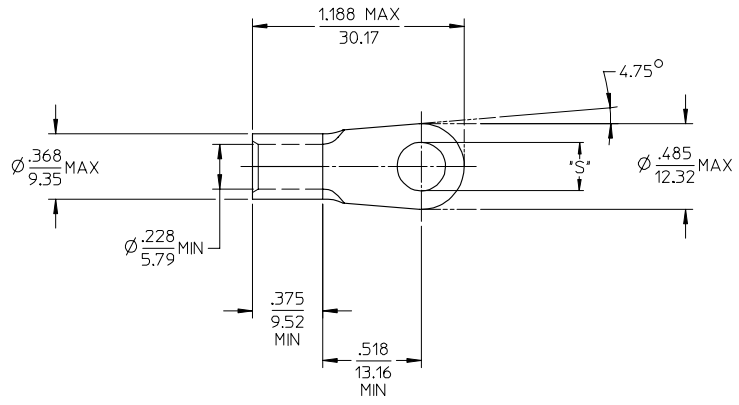
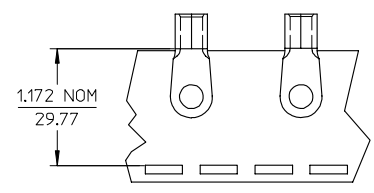
Click to view price, real time Inventory, Delivery & Lifecycle Information:

[Molex Connector Corporation](#)
[0191930250](#)

For any questions, you can email us directly:

sales@integrated-circuit.com

10	9	8	7	6	5	4	3	2	19193
MATERIAL NO. LOOSE PIECE	ENG. NO.	MATERIAL NO. TAPE MOUNTED	ENG. NO.	STUD SIZE	±.003 'S'	STOCK THICKNESS			
191930243	E-360-08	191930244	E-360-08T	8	.173	.050/(1.27) (B)			
191930245	E-360-10	191930247	E-360-10T	10	.198				
191930248	E-360-14	191930250	E-360-14T	1/4	.265				
191930251	E-360-56	191930253	E-360-56T	5/16	.328				



SALES DRAWING

- NOTE(S):
1. MATERIAL: COPPER
 2. PLATING: ELECTROPLATE TIN
 3. ALL DIMENSIONS IN INCHES/(MM).
 4. WIRE SIZE: 6 AWG
16 MM²
 - (B) 5. PART IS ROHS COMPLIANT.

REVISED MATL THKNS EC NO: ETC2007-0011 2006/07/12 BIDRINEHILLE 2006/07/12 CHYKD-JIMACNEIL 2006/07/12 APPR:RIDEROSS	QUALITY SYMBOLS ▽=0 ▽=0	GENERAL TOLERANCES (UNLESS SPECIFIED)		DIMENSION STYLE IN/MM	SCALE 2:1	DESIGN UNITS INCH	THIRD ANGLE PROJECTION		
		4 PLACES ± --- ± ---	3 PLACES ± --- ± .005	2 PLACES ± 0.13 ± .01	1 PLACE ± 0.25 ± ---	DRAWN BY DLM	DATE 03/07/28	TITLE RING TONGUE TERMINAL VERSAKRIMP SERIES 6 AWG	
		ANGULAR ± 1/2°		DRAFT WHERE APPLICABLE MUST REMAIN WITHIN DIMENSIONS		CHECKED BY HEB	DATE 03/07/28	MOLEX INCORPORATED	
		MATERIAL NO. SEE CHART		DOCUMENT NO. SD-19193-032		SHEET NO. 1 OF 1		THIS DRAWING CONTAINS INFORMATION THAT IS PROPRIETARY TO MOLEX INCORPORATED AND SHOULD NOT BE USED WITHOUT WRITTEN PERMISSION	