

## Excellent Integrated System Limited

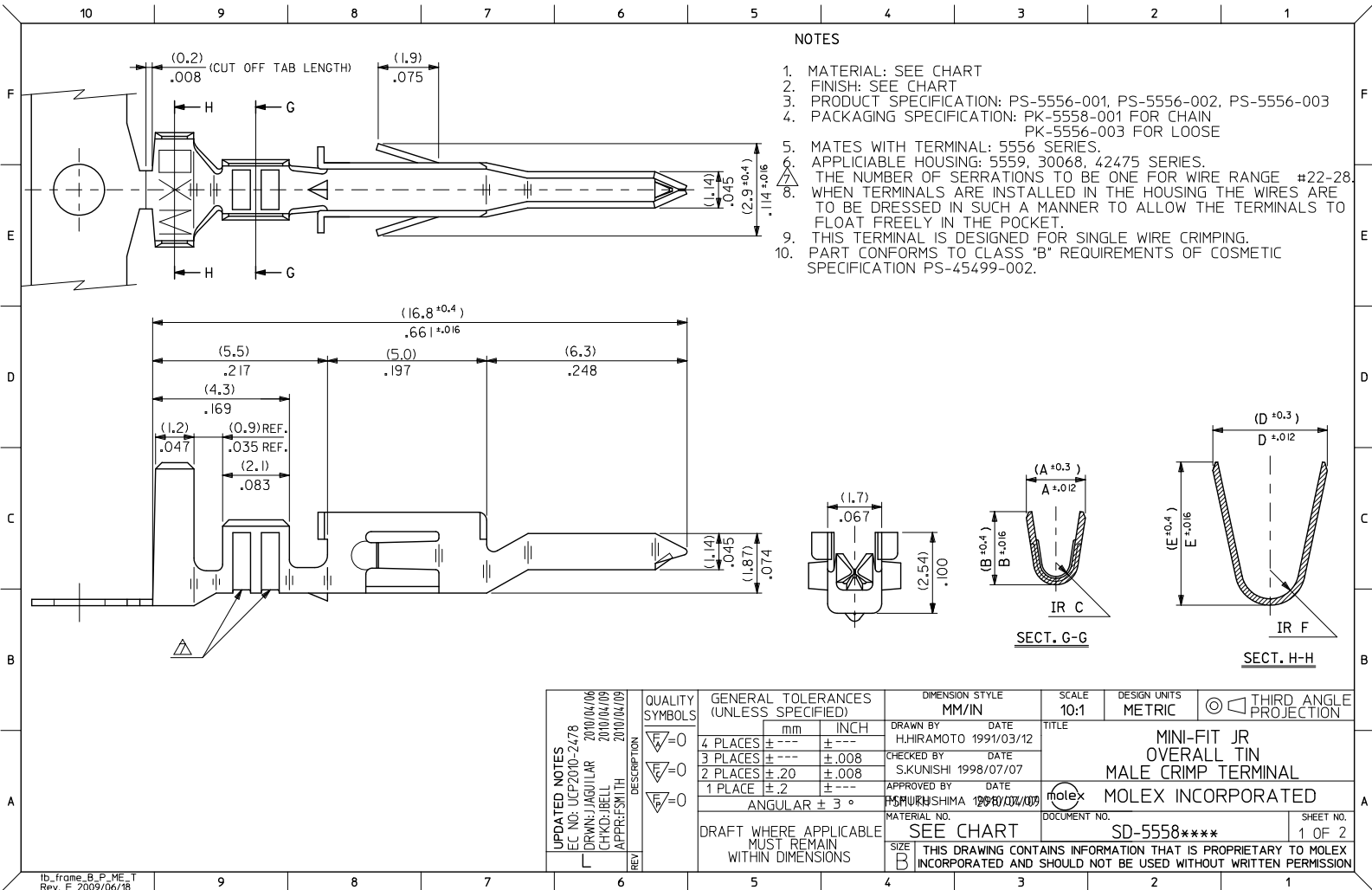
Stocking Distributor

Click to view price, real time Inventory, Delivery & Lifecycle Information:

[Molex Connector Corporation](#)  
[0039000067](#)

For any questions, you can email us directly:

[sales@integrated-circuit.com](mailto:sales@integrated-circuit.com)



1b...frame\_B\_P\_MC\_T  
Rev. F 2009/06/18

<b>UPDATED NOTES</b> EC NO: LCP2010-2478 DRAWN: JAGUILAR 2010/04/06 CHKD: BELL 2010/04/09 APPROVED: SMITH 2010/04/09	<b>QUALITY SYMBOLS</b> $\nabla=0$ $\nabla=0$ $\nabla=0$	<b>GENERAL TOLERANCES (UNLESS SPECIFIED)</b> <table border="1"> <thead> <tr> <th></th> <th>mm</th> <th>INCH</th> </tr> </thead> <tbody> <tr> <td>4 PLACES</td> <td>± .15</td> <td>± .005</td> </tr> <tr> <td>3 PLACES</td> <td>± .10</td> <td>± .003</td> </tr> <tr> <td>2 PLACES</td> <td>± .20</td> <td>± .008</td> </tr> <tr> <td>1 PLACE</td> <td>± .2</td> <td>± .008</td> </tr> </tbody> </table>		mm	INCH	4 PLACES	± .15	± .005	3 PLACES	± .10	± .003	2 PLACES	± .20	± .008	1 PLACE	± .2	± .008	<b>DIMENSION STYLE</b> MM/IN	<b>SCALE</b> 10:1	<b>DESIGN UNITS</b> METRIC	<b>THIRD ANGLE PROJECTION</b>
		mm	INCH																		
	4 PLACES	± .15	± .005																		
	3 PLACES	± .10	± .003																		
2 PLACES	± .20	± .008																			
1 PLACE	± .2	± .008																			
<b>DESCRIPTION</b> MINI-FIT JR OVERALL TIN MALE CRIMP TERMINAL	<b>DRAWN BY</b> H.HIRAMOTO	<b>DATE</b> 1991/03/12	<b>TITLE</b> MINI-FIT JR OVERALL TIN MALE CRIMP TERMINAL	<b>APPROVED BY</b> M.MURKISHIMA	<b>DATE</b> 1998/07/07	<b>MOLEX INCORPORATED</b>															
<b>DRAFT WHERE APPLICABLE MUST REMAIN WITHIN DIMENSIONS</b>	<b>MATERIAL NO.</b> SEE CHART	<b>DOCUMENT NO.</b> SD-5558****	<b>SHEET NO.</b> 1 OF 2	<b>THIS DRAWING CONTAINS INFORMATION THAT IS PROPRIETARY TO MOLEX INCORPORATED AND SHOULD NOT BE USED WITHOUT WRITTEN PERMISSION</b>																	
<b>REV</b>	<b>DESCRIPTION</b>	<b>DATE</b>	<b>BY</b>	<b>APPROVED BY</b>	<b>DATE</b>	<b>REVISION</b>															

10 9 8 7 6 5 4 3 2 1

TIN PLATED PHOSPHOR BRONZE	(0.9)	(4.5)	(3.6)	(0.6)	(2.7)	(2.3)	∅ (3.1)	#16	39-00-0084	5558 PBT3L	LOOSE
	.035	.177	.142	.024	.106	.091	.122		↑ -0083	↑ PBT3	CHAIN
	(0.6)	(2.3)	(2.3)	(0.4)	(1.65)	(1.8)	∅ (0.9-1.8)	#22-28	-0068	PBT2L	LOOSE
	.024	.091	.091	.016	.065	.071	∅ .035-.071		-0067	PBT2	CHAIN
TIN OVER COPPER PLATED BRASS	(0.9)	(4.5)	(3.6)	(0.6)	(2.7)	(2.3)	∅ (3.1)	#16			
	.035	.177	.142	.024	.106	.091	.122		-0082	T3L	LOOSE
	(0.6)	(2.3)	(2.3)	(0.4)	(1.65)	(1.8)	∅ (0.9-1.8)	#22-28	-0049	T2L	LOOSE
	.024	.091	.091	.016	.065	.071	∅ .035-.071		-0048	T2	CHAIN
MATERIAL	(0.9)	(4.5)	(3.6)	(0.5)	(2.3)	(1.9)	∅ (1.3-3.1)	#18-24	↓ -0041	↓ TL	LOOSE
	.035	.177	.142	.020	.091	.075	∅ .051-.122		39-00-0040	5558 T	CHAIN
MATERIAL	F	E	D	C	B	A	INS. RANGE	WIRE RANGE	EDP NO.	ENG. NO.	FORM

UPDATE TITLE BLOCK EC NO: UCP2010-2478 DRAWN: JAGUILAR 2010/04/06 CHECK: BELL 2010/04/08 APPROVE: SMITH 2010/04/09 REV:	QUALITY SYMBOLS	GENERAL TOLERANCES (UNLESS SPECIFIED)	DIMENSION STYLE	SCALE	DESIGN UNITS	THIRD ANGLE PROJECTION
	▽=0	mm INCH	MM/IN	10:1	METRIC	☉
	▽=0	4 PLACES ± --- ± ---	DRAWN BY DATE	TITLE		
	▽=0	3 PLACES ± --- ± .008	H.HIRAMOTO 1991/03/12	MINI-FIT JR OVERALL TIN MALE CRIMP TERMINAL		
	2 PLACES ± .20 ± .008	CHECKED BY DATE	MATERIAL NO.			
	1 PLACE ± .2 ± ---	S.KUNISHI 1998/07/07	SD-5558****			
	ANGULAR ± 3°	APPROVED BY DATE	SHEET NO.			
		F.M.HUKUSHIMA 2010/04/09	2 OF 2			
	DRAFT WHERE APPLICABLE MUST REMAIN WITHIN DIMENSIONS	MATERIAL NO.	THIS DRAWING CONTAINS INFORMATION THAT IS PROPRIETARY TO MOLEX INCORPORATED AND SHOULD NOT BE USED WITHOUT WRITTEN PERMISSION			
		SEE CHART				
		SIZE B				

9 8 7 6 5 4 3 2 1