

Excellent Integrated System Limited

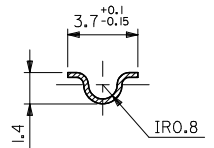
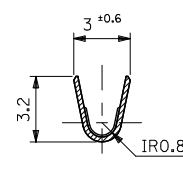
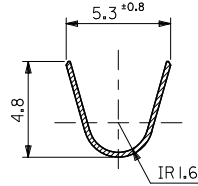
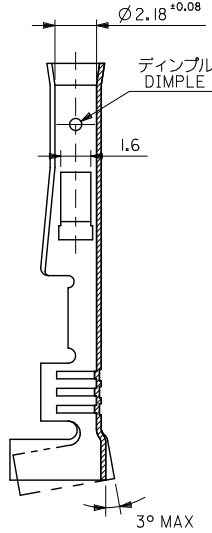
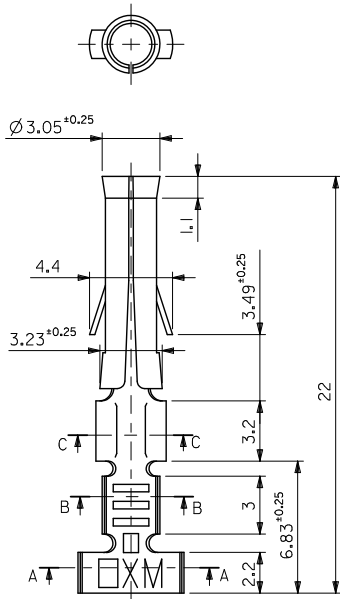
Stocking Distributor

Click to view price, real time Inventory, Delivery & Lifecycle Information:

[Molex Connector Corporation](#)
[0039000281](#)

For any questions, you can email us directly:

sales@integrated-circuit.com



ニッケル (2 μm MIN.) 下地 金 (0.35 μm MIN.) GOLD (0.35 μm MIN.) OVER NICKEL (2 μm MIN.)	無 NO	39-00-0295	1189AGL	バラ端子 LOOSE
		39-00-0293	1189AG	連鎖状端子 CHAIN
銅 (0.5 μm MIN.) 下地 錫 (0.9 μm MIN.) TIN (0.9 μm MIN.) OVER COPPER (0.5 μm MIN.)	有 YES	39-00-0294	1189GL	バラ端子 LOOSE
	無 NO	39-00-0289	1189ATL	バラ端子 LOOSE
		39-00-0281	1189AT	連鎖状端子 CHAIN
	有 YES	39-00-0288	1189TL	バラ端子 LOOSE
		39-00-0282	1189T	連鎖状端子 CHAIN
メッキ PLATING	ディンプル有無 WITH DIMPLE	EDP.NO.	ENG.NO.	形状 FORM

注記 NOTES:

1. 一般公差: ±0.4
GENERAL TOLERANCES: ±0.4

材料 MATERIAL 黄銅 BRASS 0.264t
適用電線範囲 WIRE RANGE AWG# 14-#20
被覆外径 INS. RANGE φ 1.6 ~ 4.1

REVISED EC NO. J2010-2186 DRAWN BY: DRW:NRTSURIOKA 2010/05/17 CHKD: HARUYAMA 2010/05/17 APPR: HIRATA 2010/05/21 REV J	GENERAL TOLERANCES (UNLESS SPECIFIED)		DIMENSION STYLE MM ONLY		SCALE 5:1	DESIGN UNITS METRIC	THIRD ANGLE PROJECTION
	10 UNDER	±---	DRAWN BY HHASEGAWA	DATE 1993/07/06	TITLE .093 DIA.FEMALE TERM.		
	10 OVER 30 UNDER	±---	CHECKED BY HHIRAMOTO	DATE 1993/07/06	MATERIAL NO. MOLEX INCORPORATED		
	30 OVER	±---	APPROVED BY MFUKUSHIMA	DATE 1993/07/06	DOCUMENT NO. SD-1189-002	SHEET NO. 1 OF 1	
ANGULAR ±---°		DRAFT WHERE APPLICABLE MUST REMAIN WITHIN DIMENSIONS		SEE TABLE			
THIS DRAWING CONTAINS INFORMATION THAT IS PROPRIETARY TO MOLEX INCORPORATED AND SHOULD NOT BE USED WITHOUT WRITTEN PERMISSION							