

Excellent Integrated System Limited

Stocking Distributor

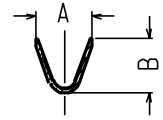
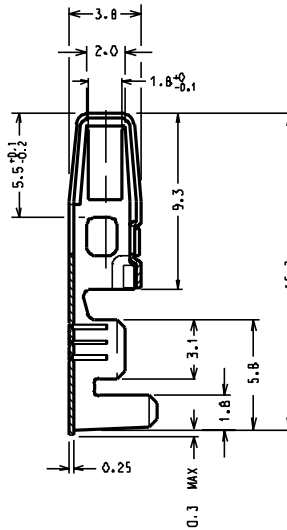
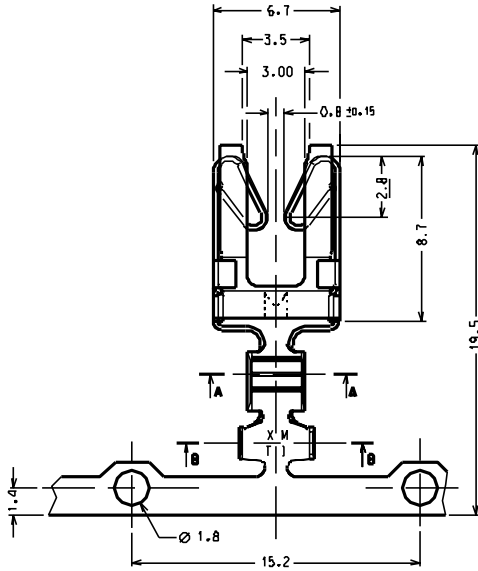
Click to view price, real time Inventory, Delivery & Lifecycle Information:

[Molex Connector Corporation](#)
[0945291203](#)

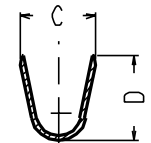
For any questions, you can email us directly:
sales@integrated-circuit.com

CODICE P/N	MATERIALE MATERIAL	FINITURA PLATING	SEZ. FILO WIRE SIZE mm ²	ISOLANTE INSULATION mm	mm				INGALLIO (S.P.O.) PACIAGING * pz. per box in 6 bobine * pcs. per box in 6 reels
					A	B	C	D	
94529-1103	BRONZO FOSFOROSO PHOSPHOR BRONZE	PRESTAGNATO	0.35-0.50	1.70 max.*	1.9	2.2	2.7	2.1	24.000
94529-1201	OTTONE BRASS		TIN PREPLATED	0.50-1.00	2.80 max.*	3.0	2.9	4.0	4.5

* FILD AD ISOLAMENTO RIDDOTO
• LOW INSULATION WIRE



SECTION A - A



SECTION B - B

CARATTERISTICHE PRODOTTO SECONDO PS-94529-001
PRODUCT CHARACTERISTICS ACCORDING TO PS-94529-002

SENDO DI SVOLGIMENTO DALLA BOBINA
DIRECTION OFF REEL

Std. Descr: "FORK TERM STRAIGHT 1.5 GAP Insert WIRE SIZE"

EC NO. Z2002-0020 DRAWN: L. Santese 04-09-01 CHKD: N. Tosi 04-09-01 APPR: G. Zini 04-09-01	QUALITY SYMBOLS MAJOR M SIGNIF. S CRITICAL C	DESCRIPTION	GENERAL TOLERANCES: (UNLESS SPECIFIED)		SCALE 5:1	DESIGN UNITS <input type="checkbox"/> mm <input type="checkbox"/> INCH	FIRST ANGLE PROJECTION	DIMENSIONS: <input type="checkbox"/> mm <input type="checkbox"/> INCH <input type="checkbox"/> mm <input type="checkbox"/> INCH ONLY	SHT.	REV.
			4 PLACES	±0.2	±.	DRAWN BY & DATE Gottardo 05-03-93	TITLE CONTATTO A FORCELLA DIRITTO - SPESSORE NOM. DEL MASCHIO: 1.5 mm - STRAIGHT FORK TERMINAL TAB SIZE: 1.5 mm			
			3 PLACES	±0.2	±.	CHECKED BY & DATE Previtera 05-03-93	APPROVED BY & DATE Previtera 05-03-93		MATERIAL NO. ved. tabella	
2 PLACES	±0.10	±.	ANGULAR: ± 3°		CAD FILENAME SD94529001.DGN		MATERIAL NO. ved. tabella		DRAWING NO. SD-94529-001	SHEET NO. 1/1
1 PLACE	±0.15	±.	DRAFT WHERE APPLICABLE MUST REMAIN WITHIN DIMENSIONS		THIS DRAWING CONTAINS INFORMATION THAT IS PROPRIETARY TO MOLEX INCORPORATED AND SHOULD NOT BE USED WITHOUT WRITTEN PERMISSION.					SIZE A3