



**Distributor of Molex Connector Corporation: Excellent Integrated System Limited**  
Datasheet of 0945120201 - Connector Quick Connect Receptacle 10-18 AWG 0.250"  
(6.35mm) Crimp

Contact us: [sales@integrated-circuit.com](mailto:sales@integrated-circuit.com) Website: [www.integrated-circuit.com](http://www.integrated-circuit.com)

---

## **Excellent Integrated System Limited**

Stocking Distributor

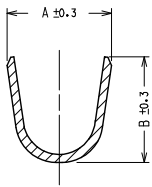
Click to view price, real time Inventory, Delivery & Lifecycle Information:

[Molex Connector Corporation](#)  
[0945120201](#)

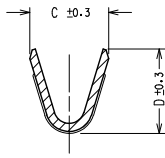
For any questions, you can email us directly:  
[sales@integrated-circuit.com](mailto:sales@integrated-circuit.com)

Contact us: [sales@integrated-circuit.com](mailto:sales@integrated-circuit.com) Website: [www.integrated-circuit.com](http://www.integrated-circuit.com)

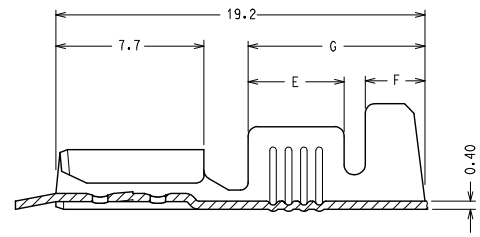
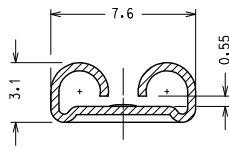
SEZIONE C - C



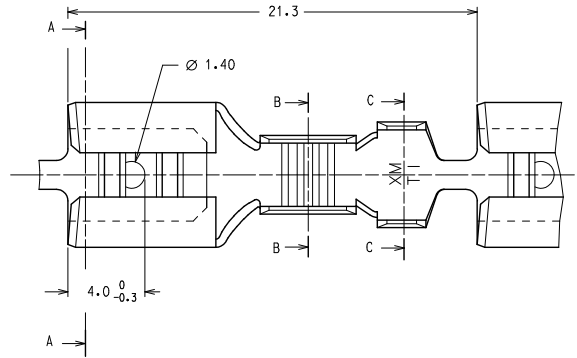
SEZIONE B - B



SEZIONE A - A



CODICE P/N	FINITURA PLATING	MATERIALE MATERIAL	SEZ. RAME WIRE RANGE (mm <sup>2</sup> )	Ø ISOLANTE INS. RANGE (mm)	DIMENSIONI / DIMENSION (mm)								PZ/BOBINA PCS/REEL	S.P.O.
					A	B	C	D	E	F	G			
94512-0000	GREGGIO/ UNPLATED	OTTONE/ BRASS	0.2 ↔ 0.5	1.2 ↔ 2.1	3.0	2.9	2.3	2.3	3.1	1.8	6.3	7.000	21.000	
94512-0001	STAGNATO/ TIN	OTTONE/ BRASS	0.5 ↔ 1.0	2.0 ↔ 3.3	4.5	4.5	3.0	3.0	4.2	2.4	8.2	7.000	21.000	
94512-0100	GREGGIO/ UNPLATED	OTTONE/ BRASS												
94512-0101	STAGNATO/ TIN	OTTONE/ BRASS	1.0 ↔ 2.5	2.7 ↔ 4.3	5.5	5.5	4.1	4.3	5.0	3.1	9.1	6.000	18.000	
94512-0111	NICHELATO/ NICKEL	ACCIAIO/ STEEL												
94512-0130	GREGGIO/ UNPLATED	ALPACCA/ PACKFONG	2.5 ↔ 6.0	3.8 ↔ 5.1	6.0	6.4	5.4	5.6	5.0	3.1	9.1	5.000	15.000	
94512-0200	GREGGIO/ UNPLATED	OTTONE/ BRASS												
94512-0201	STAGNATO/ TIN	OTTONE/ BRASS	1.0 ↔ 2.5	2.7 ↔ 4.3	5.5	5.5	4.1	4.3	5.0	3.1	9.1	6.000	18.000	
94512-0211	NICHELATO/ NICKEL	ACCIAIO/ STEEL												
94512-0230	GREGGIO/ UNPLATED	ALPACCA/ PACKFONG	2.5 ↔ 6.0	3.8 ↔ 5.1	6.0	6.4	5.4	5.6	5.0	3.1	9.1	5.000	15.000	
94512-0301	STAGNATO/ TIN	OTTONE/ BRASS												
94512-0311	NICHELATO/ NICKEL	ACCIAIO/ STEEL												



Confezione Standard: 3 Bobine x Scatola

Caratteristiche di Prodotto secondo PS 94512-002

Packaging: 3 Reels x Box

Product Characteristics according to PS 94512-002

Std. Descr.: HRT FEM TERM [material] [plating] [wire range]

QUALITY SYMBOLS	GENERAL TOLERANCES (UNLESS SPECIFIED)		DIMENSION STYLE		SCALE	DESIGN UNITS	FIRST ANGLE PROJECTION
	mm	INCH	MM ONLY	DATE			
∇=0	4 PLACES ±---	±---	F. GOTTARDO	1989-12-01	0.2	METRIC	HIGH RELIABILITY FEMALE TERMINAL 6.3 X 0.8
∇=0	3 PLACES ±---	±---	CHECKED BY	DATE			
∇=0	2 PLACES ±0.1	±---	M. PREVIATO	1989-12-01			
∇=0	1 PLACE ±0.2	±---	APPROVED BY	DATE			
	0 PLACE ±	±	R. MARTUCCI	1989-12-01			
ANGULAR ± 2 °			MATERIAL NO.		DOCUMENT NO.		SHEET NO.
DRAFT WHERE APPLICABLE MUST REMAIN WITHIN DIMENSIONS			See chart		SD-94512-004		1 OF 1
THIS DRAWING CONTAINS INFORMATION THAT IS PROPRIETARY TO MOLEX INCORPORATED AND SHOULD NOT BE USED WITHOUT WRITTEN PERMISSION							