



Distributor of Molex Connector Corporation: Excellent Integrated System Limited
Datasheet of 0190070041 - Connector Quick Connect Receptacle 10-12 AWG 0.250"
(6.35mm) Crimp

Contact us: sales@integrated-circuit.com Website: www.integrated-circuit.com

Excellent Integrated System Limited

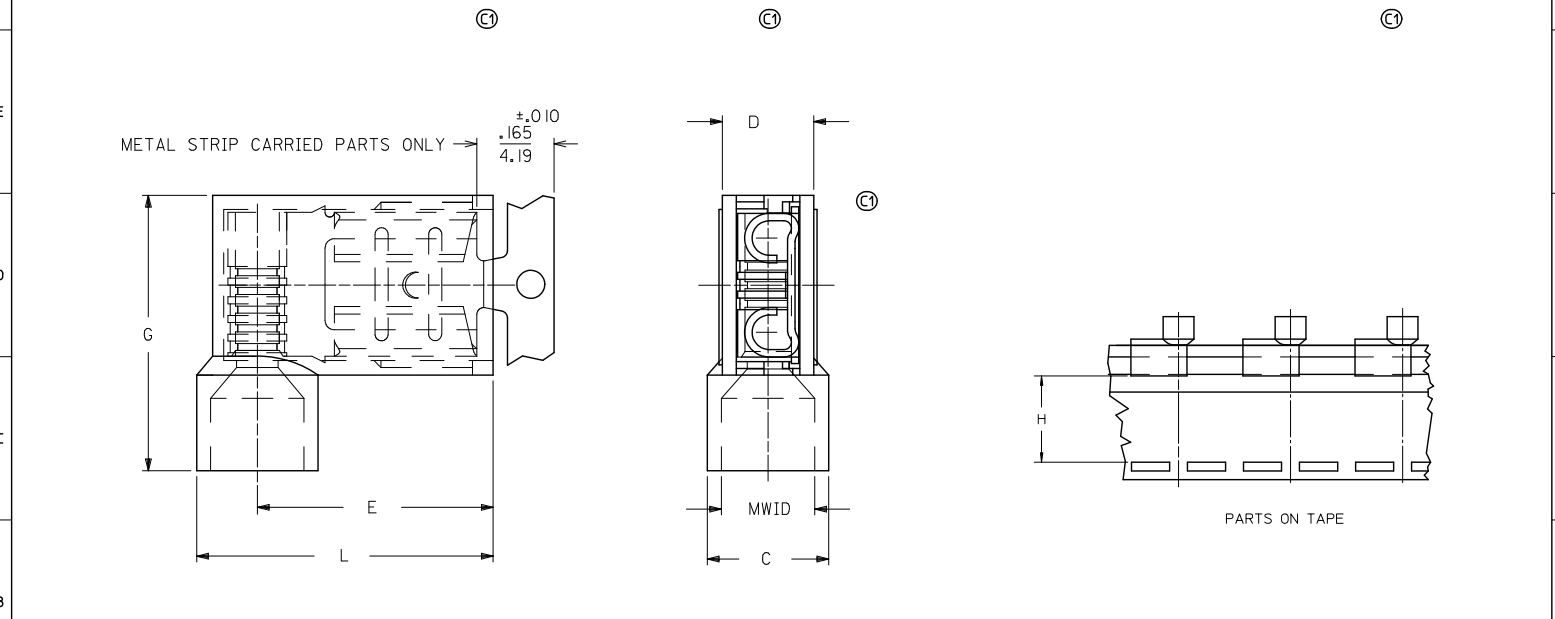
Stocking Distributor

Click to view price, real time Inventory, Delivery & Lifecycle Information:

[Molex Connector Corporation](#)
[0190070041](#)

For any questions, you can email us directly:
sales@integrated-circuit.com

| 10 | | 9 | | 8 | | 7 | | 6 | | 5 | | 4 | | 3 | | 2 | | 1 | |
|-----------------|--------------------|---------------------|--------------------|--------------------|--------------------|----------|--------|---------------------|-----------|----------------------|----------------------|----------------------|----------------------|----------------------|--------------------|---|--|---|--|
| LOOSE PIECE | | METAL STRIP CARRIED | | MYLAR TAPE CARRIED | | FEATURES | | | | | | DIMENSIONS | | | | | | | |
| MATERIAL NUMBER | ENGINEERING NUMBER | MATERIAL NUMBER | ENGINEERING NUMBER | MATERIAL NUMBER | ENGINEERING NUMBER | AWG | COLOR | FITS TAB SIZE | MWID | L \pm .015 0.38 | G \pm .015 0.38 | E \pm .015 0.38 | C \pm .015 0.38 | D \pm .015 0.38 | H \pm .02 0.5 | | | | |
| 190070001 | AA-2220 | 190070008 | AA-2220Z | 190070004 | AA-2220T | 22-18 | RED | .250x.032/6.35x0.81 | .176/4.47 | .630/16.00 | .585/14.86 | .512/13.00 | .236/5.99 | .197/5.00 | .93/23.6 | | | | |
| 190070005 | AA-2220X | 190070007 | AA-2220XZ | 190070006 | AA-2220XT | 22-18 | RED | .250x.032/6.35x0.81 | .240/6.10 | .662/16.81 | .625/15.88 | .512/13.00 | .300/7.26 | .197/5.00 | .93/23.6 | | | | |
| 190070021 | BB-2221 | 190070028 | BB-2221Z | 190070024 | BB-2221T | 16-14 | BLUE | .250x.032/6.35x0.81 | .200/5.08 | .630/16.00 | .585/14.86 | .500/12.70 | .260/6.60 | .197/5.00 | .93/23.6 | | | | |
| 190070025 | BB-2221X | 190070027 | BB-2221XZ | 190070026 | BB-2221XT | 16-14 | BLUE | .250x.032/6.35x0.81 | .265/6.73 | .670/17.02 | .625/15.88 | .500/12.70 | .325/8.26 | .197/5.00 | .93/23.6 | | | | |
| 190070040 | C-2211 | 190070041 | C-2211Z | 190070053 | C-2211T | 12-10 | YELLOW | .250x.032/6.35x0.81 | .260/6.60 | .667/16.93 | .677/17.20 | .511/12.98 | .311/7.90 | .246/6.25 | .97/24.6 | | | | |



- NOTES:
 1. MWID = MAX. WIRE INSULATION DIA.
 2. ALL DIMENSIONS = INCHES/MM
 3. MATERIAL:
 HOUSING: NYLON
 TERMINAL: TIN PLATED BRASS
 4. ASSEMBLY IS ROHS COMPLIANT.

| | | | | | | | | | |
|---|---|--|------------------------|---------------------------------|----------------------|-------------------------------------|--|------------------------------|---------------------|
| ADD TAPE PARTS EC NO: WNA2011-0074 DRAWN BY: RCM 20/08/10 CHKD: MACNEIL 20/08/10 APPR: MACNEIL 20/09/23 REV: C1 | QUALITY SYMBOLS ▽=0 ▽=0 ▽=0 | GENERAL TOLERANCES (UNLESS SPECIFIED) | | DIMENSION STYLE IN/MM | | SCALE 5:1 | DESIGN UNITS INCH | THIRD ANGLE PROJECTION | |
| | | 4 PLACES ± .005 ± .005 | 3 PLACES ± .005 ± .005 | 2 PLACES ± .013 ± .01 | 1 PLACE ± .025 ± .01 | DRAWN BY: RCM DATE: 1989/07/26 | TITLE FLAG QUICK DISCONNECT, FULLY INSULATED, .250 X .032 TAB SIZE | | |
| | | ANGULAR ±1/2° | | | | CHECKED BY: JM DATE: 1989/07/26 | MOLEX INCORPORATED | | |
| | | DRAFT WHERE APPLICABLE MUST REMAIN WITHIN DIMENSIONS | | | | APPROVED BY: FP DATE: 1989/07/26 | MATERIAL NO. SEE CHART | DOCUMENT NO. SD-19007-004 | SHEET NO. 1 OF 1 |