



Distributor of Molex Connector Corporation: Excellent Integrated System Limited
Datasheet of 0190050009 - Connector Quick Connect Receptacle 14-16 AWG 0.250"
(6.35mm) Crimp

Contact us: sales@integrated-circuit.com Website: www.integrated-circuit.com

Excellent Integrated System Limited

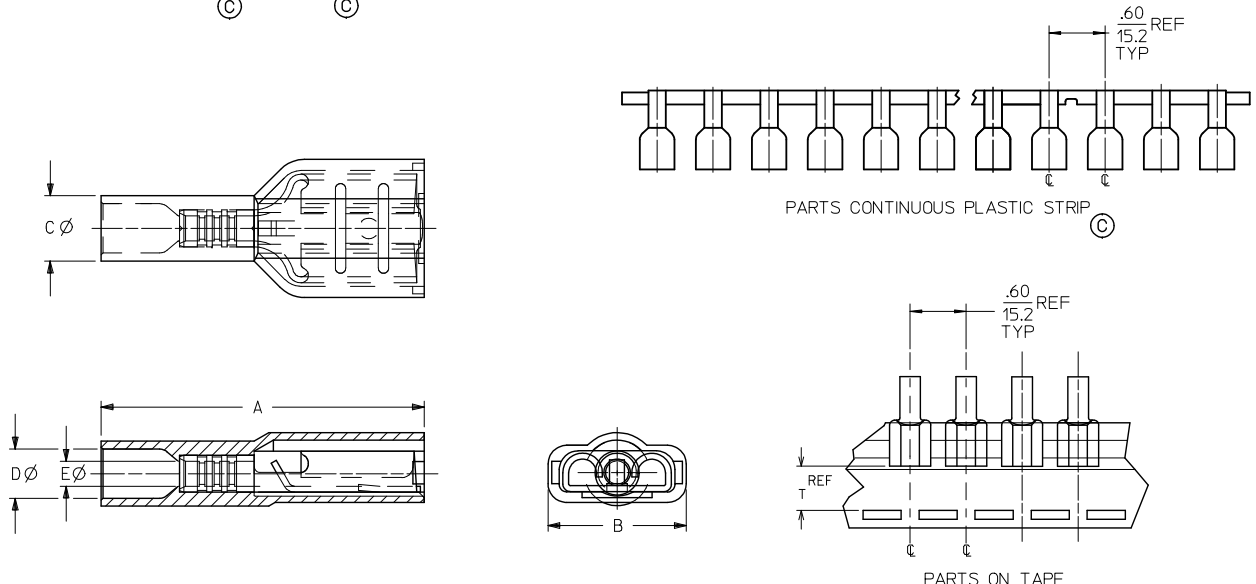
Stocking Distributor

Click to view price, real time Inventory, Delivery & Lifecycle Information:

[Molex Connector Corporation](#)
[0190050009](#)

For any questions, you can email us directly:
sales@integrated-circuit.com

10	9	8	7	6	5	4	3	2	19005						
MATERIAL NUMBER LOOSE PIECE	ENGRNG NUMBER LOOSE PIECE	MATERIAL NUMBER MYLAR TAPE	ENGINEERING NUMBER MYLAR TAPE	MATERIAL NUMBER CONTINUOUS STRIP	ENGINEERING NUMBER CONTINUOUS STRIP	WIRE RANGE AWG	ACCEPTS MALE TAB SIZE	COLOR	STOCK THKNS (REF)	A MAX	B MAX	C MAX	D MWID	E MIN	T REF
190050001	AA-2261	190050004	AA-2261T	190050003	AA-2261C	22-18	.250x.032/6.35x0.81	RED	.018/0.46	.89/22.6	.38/9.7	.23/5.9	.16/4.1	.08/2.0	.52/13.2
190050005	BB-2263	190050009	BB-2263T	190050008	BB-2263C	16-14	.250x.032/6.35x0.81	BLUE	.018/0.46	.89/22.6	.38/9.7	.23/5.9	.16/4.1	.08/2.0	.52/13.2
190050010	C-2265	190050015	C-2265T	190050014	C-2265C	12-10	.250x.032/6.35x0.81	YELLOW	.018/0.46	1.04/26.4	.38/9.7	.34/8.7	.27/6.8	.14/3.5	.51/13.0



NOTES:

1. TERMINAL MATERIAL: BRASS
2. TERMINAL FINISH: TIN PLATED
3. INSULATION MATERIAL: MOLDED NYLON
4. MWID = MAXIMUM WIRE INSULATION DIAMETER
5. PARTS ARE ROHS COMPLIANT.

ADD CONTINUOUS STRIP EC NO: ICG2014-1666 DRAWN BY: JAS01 CHKD: JMACNEIL APPR: JMACNEIL 2014/04/03 2014/04/21	QUALITY SYMBOLS	GENERAL TOLERANCES (UNLESS SPECIFIED) mm INCH 4 PLACES ± --- ± --- 3 PLACES ± --- ± --- 2 PLACES ± --- ± --- 1 PLACE ± --- ± --- ANGULAR ± ---° DRAFT WHERE APPLICABLE MUST REMAIN WITHIN DIMENSIONS	DIMENSION STYLE	SCALE	DESIGN UNITS	THIRD ANGLE PROJECTION
	▽=0 ▽=0		IN/MM	---	INCH	
			DRAWN BY: EMF CHECKED BY: --- APPROVED BY: JMACNEIL MATERIAL NO. SEE CHART	DATE: 1993/06/25 DATE: --- DATE: 2010/03/19 DOCUMENT NO. SD-19005-001	TITLE: FULLY INSULATED FEMALE COUPLER MOLEX MOLEX INCORPORATED	
			SHEET NO. 1 OF 1 THIS DRAWING CONTAINS INFORMATION THAT IS PROPRIETARY TO MOLEX INCORPORATED AND SHOULD NOT BE USED WITHOUT WRITTEN PERMISSION			