



## Excellent Integrated System Limited

Stocking Distributor

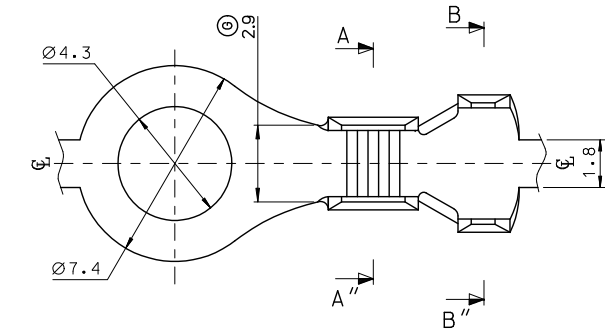
Click to view price, real time Inventory, Delivery & Lifecycle Information:

[Molex Connector Corporation](#)  
[0357501010](#)

For any questions, you can email us directly:

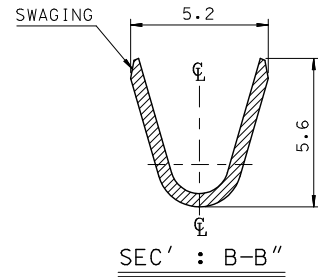
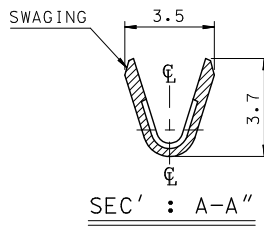
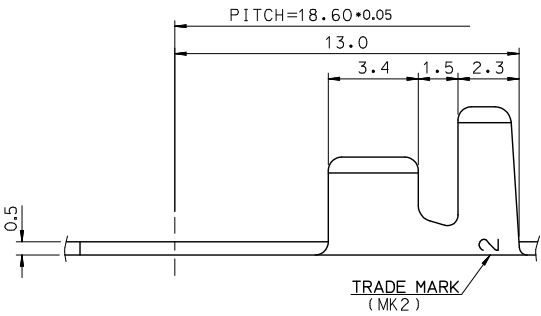
[sales@integrated-circuit.com](mailto:sales@integrated-circuit.com)

10 9 8 7 6 5 4 3 2 1



**NOTES**

1. MATERIAL : BRASS , 0.5mm THICKNESS
2. FINISH : 35750-1000 (UNPLATED)  
35750-1010 (PRE-PLATED TIN)  
(1.0 MICROMETER MIN. TIN OVER 0.3MICROMETER MIN. COPPER)  
35723-0804 (POST TIN PLATED, 1.0 MIROMETER MIN.)
3. RECOMMENDED LENGTH OF WIRE STRIP IS 4.8-5.4mm.
4. APPLICABLE WIRE : AWG #18-#14 (0.75-2.08mm<sup>2</sup>)  
INSULATION DIA. : Ø3.2mm MAX.



REVISED EC NO. KOR2013-0049 DRAWN: JSSHIN 2012/12/03 CHECK: SICHU 2012/12/03 APPR: TSKINDO 2012/12/13	QUALITY SYMBOLS ▽=0 ▽=0	GENERAL TOLERANCES (UNLESS SPECIFIED)		DIMENSION STYLE MM ONLY		SCALE 4:1	DESIGN UNITS METRIC	THIRD ANGLE PROJECTION	
		4 PLACES ± --- ± ---	mm INCH	DRAWN BY JS. JANG	DATE 1997/02/04	TITLE 4.3 DIA. RING TERMINAL			
		3 PLACES ± --- ± ---		CHECKED BY BK. CHOI	DATE 1997/02/04				
		2 PLACES ± 0.20 ± --- 1 PLACE ± 0.30 ± --- 0 PLACE ± --- ± ---		APPROVED BY CW. LEE	DATE 1997/02/04				
		ANGULAR ± 1°		MATERIAL NO.		DOCUMENT NO.		SHEET NO.	
		DRAFT WHERE APPLICABLE MUST REMAIN WITHIN DIMENSIONS		SEE NOTES		SD-35750-001		1 OF 1	
THIS DRAWING CONTAINS INFORMATION THAT IS PROPRIETARY TO MOLEX INCORPORATED AND SHOULD NOT BE USED WITHOUT WRITTEN PERMISSION									

9 8 7 6 5 4 3 2 1