



**Distributor of Molex Connector Corporation: Excellent Integrated System Limited**  
Datasheet of 0675031230 - Connector Receptacle USB - mini B 2.0 OTG 5 Position Surface  
Mount, Right Angle, Horizontal

Contact us: [sales@integrated-circuit.com](mailto:sales@integrated-circuit.com) Website: [www.integrated-circuit.com](http://www.integrated-circuit.com)

---

## **Excellent Integrated System Limited**

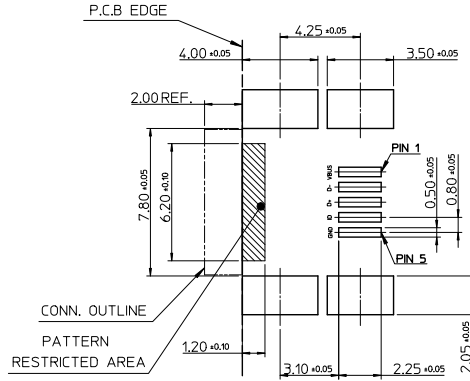
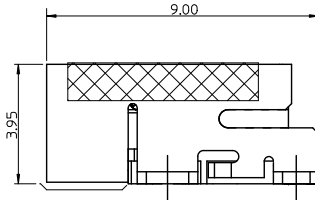
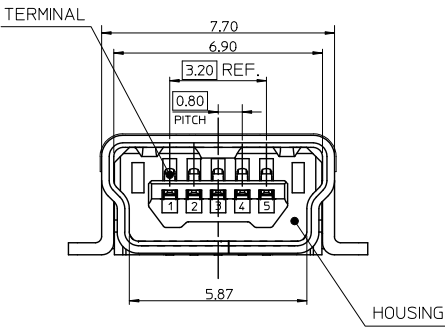
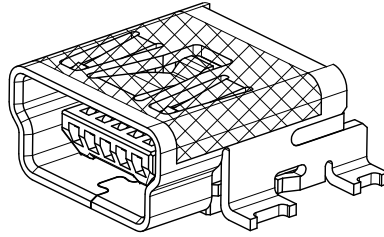
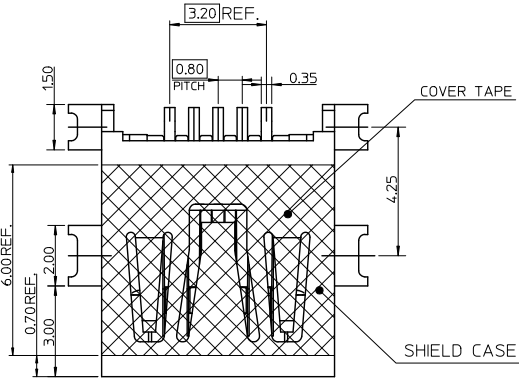
Stocking Distributor

Click to view price, real time Inventory, Delivery & Lifecycle Information:

[Molex Connector Corporation](#)  
[0675031230](#)

For any questions, you can email us directly:  
[sales@integrated-circuit.com](mailto:sales@integrated-circuit.com)

Contact us: sales@integrated-circuit.com Website: www.integrated-circuit.com



RECOMMENDED P.C.B. PATTERN LAYOUT

NOTE :

- MATERIAL :  
HOUSING : NYLON GLASS FILLED , BLACK,UL94V-0  
TERMINAL : COPPER ALLOY THICKNESS = 0.2 MM  
SHIELD CASE : COPPER ALLOY THICKNESS = 0.4 MM
- PLATING :  
TERMINAL:  
CONTACT AREA : GOLD 0.75 MICROMETER MINIMUM.  
SOLDER TAIL AREA : PURE TIN 3.8 MICROMETER MINIMUM.  
UNDER PLATING : NICKEL 1.25 MICROMETER MINIMUM.  
SHIELD CASE :  
PURE TIN: 1-3 MICROMETER .  
UNDER PLATING : NICKEL 1.0 MICROMETER MINIMUM.
- TAIL & NAIL COPLANARITY 0.1 mm MAXIMUM.
- PRODUCT SPECIFICATION REFER TO PS-67803-001.
- PACKAGING INFORMATION REFER TO PK-67503-001.

MYLAR CHANGE EC NO: SH2011-0257 DRAWN BY: DRW:XSJ CHKD: APPR:RZHANG 2011/03/14 2011/03/16	QUALITY SYMBOLS √=0 ∇=0 ∇=0	GENERAL TOLERANCES (UNLESS SPECIFIED)		DIMENSION STYLE MM ONLY		SCALE 8:1	DESIGN UNITS METRIC	THIRD ANGLE PROJECTION
		4 PLACES ± --- ± --- 3 PLACES ± --- ± --- 2 PLACES ± 0.25 ± --- 1 PLACE ± 0.25 ± --- ANGULAR ± 3°	DRAWN BY DATE LXWANG 2004/11/12 CHECKED BY DATE HARVEY 2004/11/12 APPROVED BY DATE YTYAP 2004/11/12	TITLE USB SERIES MINI-B REC. REC. ASS'Y FOR SMT W/O BACKOVER&PEG(LEAD-FREE)			MOLEX INCORPORATED	SHEET NO. 1 OF 1
DRAFT WHERE APPLICABLE MUST REMAIN WITHIN DIMENSIONS		MATERIAL NO. 675031230		DOCUMENT NO. SD-67503-011		THIS DRAWING CONTAINS INFORMATION THAT IS PROPRIETARY TO MOLEX INCORPORATED AND SHOULD NOT BE USED WITHOUT WRITTEN PERMISSION		