

## Excellent Integrated System Limited

Stocking Distributor

Click to view price, real time Inventory, Delivery & Lifecycle Information:

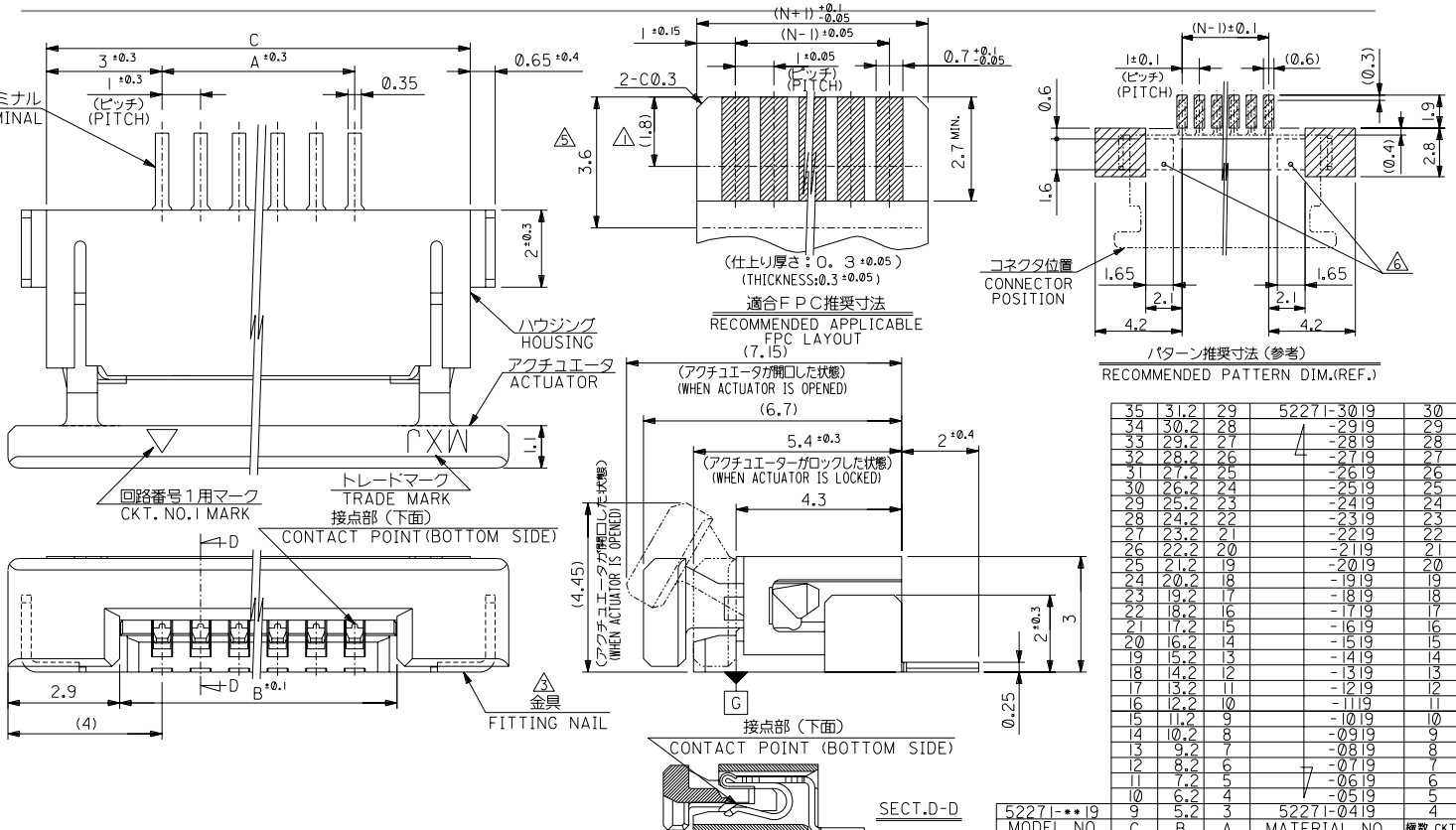
[Molex Connector Corporation](#)  
[0522711179](#)

For any questions, you can email us directly:

[sales@integrated-circuit.com](mailto:sales@integrated-circuit.com)

DWG. NO. SD-52271-036

DIMENSIONS IN METRIC DO NOT SCALE DRAWING



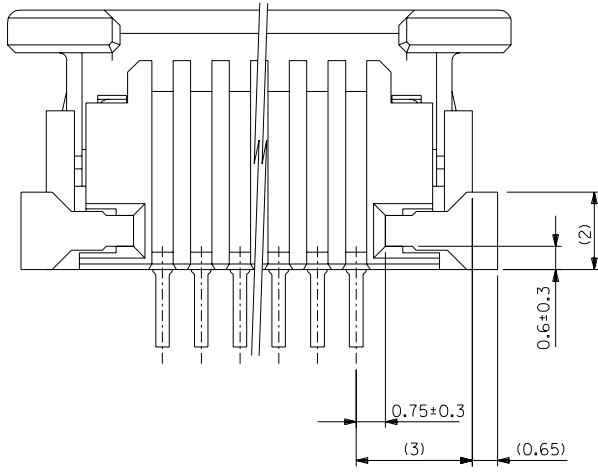
52271-***19	MODEL NO.	C	B	A	MATERIAL NO.	極数	CKT.

材料 MATERIAL	注記参照 SEE NOTES	MOLEX-JAPAN CO.,LTD. 日本モレックス株式会社
仕上げ FINISH	注記参照 SEE NOTES	
適用電線範囲 WIRE RANGE	被覆外径 INS. RANGE	REVISE ONLY ON CAD SYSTEM
角度 ANGLE	±3°	TITLE 名称
30以上 OVER	+0.5	1.0 FPC CONN. Z.I.F. SMT (BOTTOM CONTACT)
10以上 30未満 UNDER	+0.25	-LEAD FREE-
10未満 UNDER	+0.2	DWG. NO. (SHEET 1 OF 2) REV
一般公差 GENERAL TOLERANCES		SD-52271-036 B

THIS DRAWING CONTAINS INFORMATION THAT IS PROPRIETARY TO MOLEX(JAPAN) AND SHOULD NOT BE USED WITHOUT WRITTEN PERMISSION  
本図面は日本モレックス(株)の所有する情報を含むもので当社の許可なく複製を禁止する。  
EN-01C(032)MXJ-32

DWG. NO. SD-52271-036

DIMENSIONS IN METRIC DO NOT SCALE DRAWING



下面図

注記 NOTES

- △ 接点部までの嵌合長さ。  
LENGTH TO CONTACT POINT.
- 2. 使用材料 MATERIAL  
ハウジング : 46ナイロン, UL94V-0  
HOUSING : 46NYLON, UL94V-0  
アクチュエータ : PPS, UL94V-0  
ACTUATOR : PPS, UL94V-0  
ターミナル : リン青銅 (t=0.25)  
TERMINAL : PHOS-BRO.(t=0.25)  
メッキ : 銅ビスマスマッキ 1.0マイクロメートル以上  
PLATING : TIN-BISMUTH 1.0 MICROMETER MINIMUM  
ニッケル下地 1.0マイクロメートル以上  
PLATING : NICKEL(UNDER PLATING) 1.0 MICROMETER MINIMUM
- 金具 : 銅合金 (t=0.25)  
FITTING NAIL : COPPER ALLOY (t=0.25)  
メッキ : 錫メッキ 1.0マイクロメートル以上  
PLATING : TIN 1.0 MICROMETER MINIMUM  
ニッケル下地 1.0マイクロメートル以上  
PLATING : NICKEL(UNDER PLATING) 1.0 MICROMETER MINIMUM
- △ パターンはくり止め用金具  
FITTING NAIL FOR PREVENTION OF PEELING OF P.C.B.PATTERN.
- 4. エンボステープ梱包時は、アクチュエータがロックした状態とする。  
WHEN CONNECTOR IS SHIPPED, ACTUATOR SHOULD BE LOCKED.
- △ FPC挿入深さ。  
INSERTION DEPTH OF FPC
- △ パターン書き込み禁止エリア。  
NO FOOT PRINT AREA.
- 7. 本製品は52271-\*\*-17の鉛フリー品である。  
THIS PRODUCT IS LEAD FREE OF 52271-\*\*-17.

FPCについて:

打抜き方向は導体側から補強板側を推奨致します。  
補強フィルム材質はポリイミドを推奨致します。  
接着剤は熱硬化接着剤を推奨致します。

ABOUT FPC:  
RECOMMENDED PUNCHER DIRECTION :FROM CONDUCTOR SIDE TO STIFFENER BOARD SIDE.  
RECOMMENDED MATERIAL :  
STIFFENER FILM : POLYIMIDE  
BONDING AGENT : THERMOSETTING BONDING AGENT

MODEL NO. 52271-\*\*-19

材料 MATERIAL		注記参照 SEE NOTES	MOLEX-JAPAN CO.,LTD. 日本モレックス株式会社
仕上げ FINISH		注記参照 SEE NOTES	
適用電線範囲 WIRE RANGE		---	REVISE ONLY ON CAD SYSTEM
被覆外径 INS. RANGE		---	TITLE 名称
DRAWN BY 04/03/12 H.KAWABATA		CHK'D BY 04/03/12 K.TOJO	I.O FPC CONN. Z.I.F. SMT (BOTTOM CONTACT)
APP'D BY 04/03/12 M.SASAO		尺度 SCALE	-LEAD FREE-
DWG. NO. (SHEET 2 OF 2)		REV	DWG. NO. (SHEET 2 OF 2) REV
SD-52271-036		B	SD-52271-036 B

角度 ANGLE	+3°		
30以上 OVER	+0.3	B 変更 (2004-355)	04/04/12
10以上 30未満 UNDER	+0.25	A 変更 (2004-337)	04/03/12
10未満 UNDER	+0.2	O 新規作成 (2004-305)	04/03/12
一般公差 GENERAL TOLERANCES		記号 LTR 変更内容 REVISION RECORD	DR. CHK. DATE

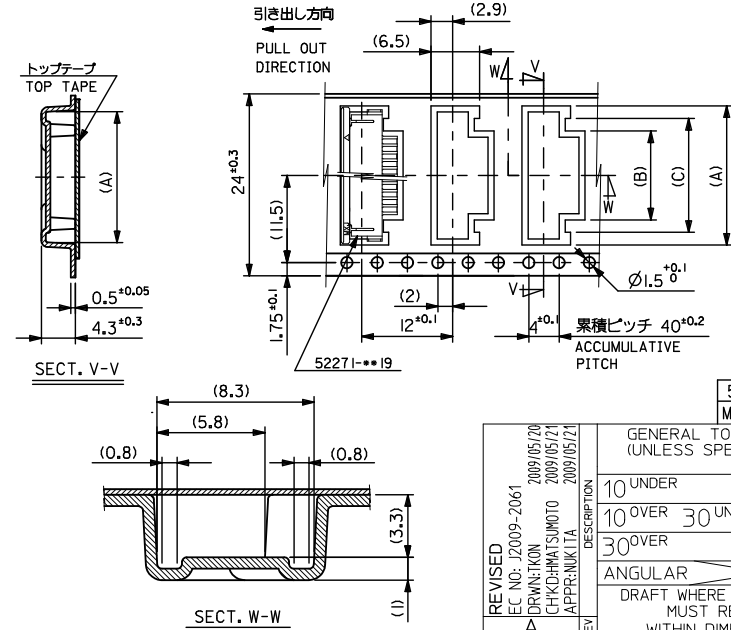
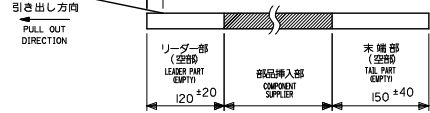
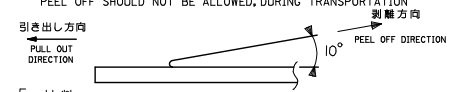
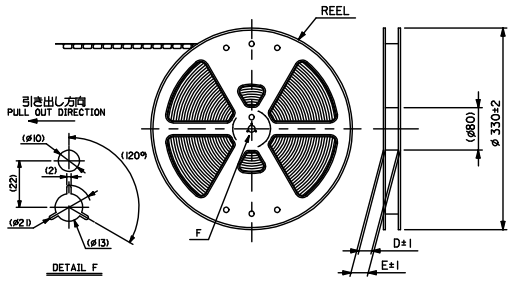
THIS DRAWING CONTAINS INFORMATION THAT IS PROPRIETARY TO MOLEX(JAPAN) AND SHOULD NOT BE USED WITHOUT WRITTEN PERMISSION  
本図面は日本モレックス(株)の所有する情報を含むもので 当社の許可なく複製を禁止する。  
EN-01C(032)MXJ-32

8 7 6 5 4 3 2 1

10 9 8 7 6 5 4 3 2 1

**NOTES**

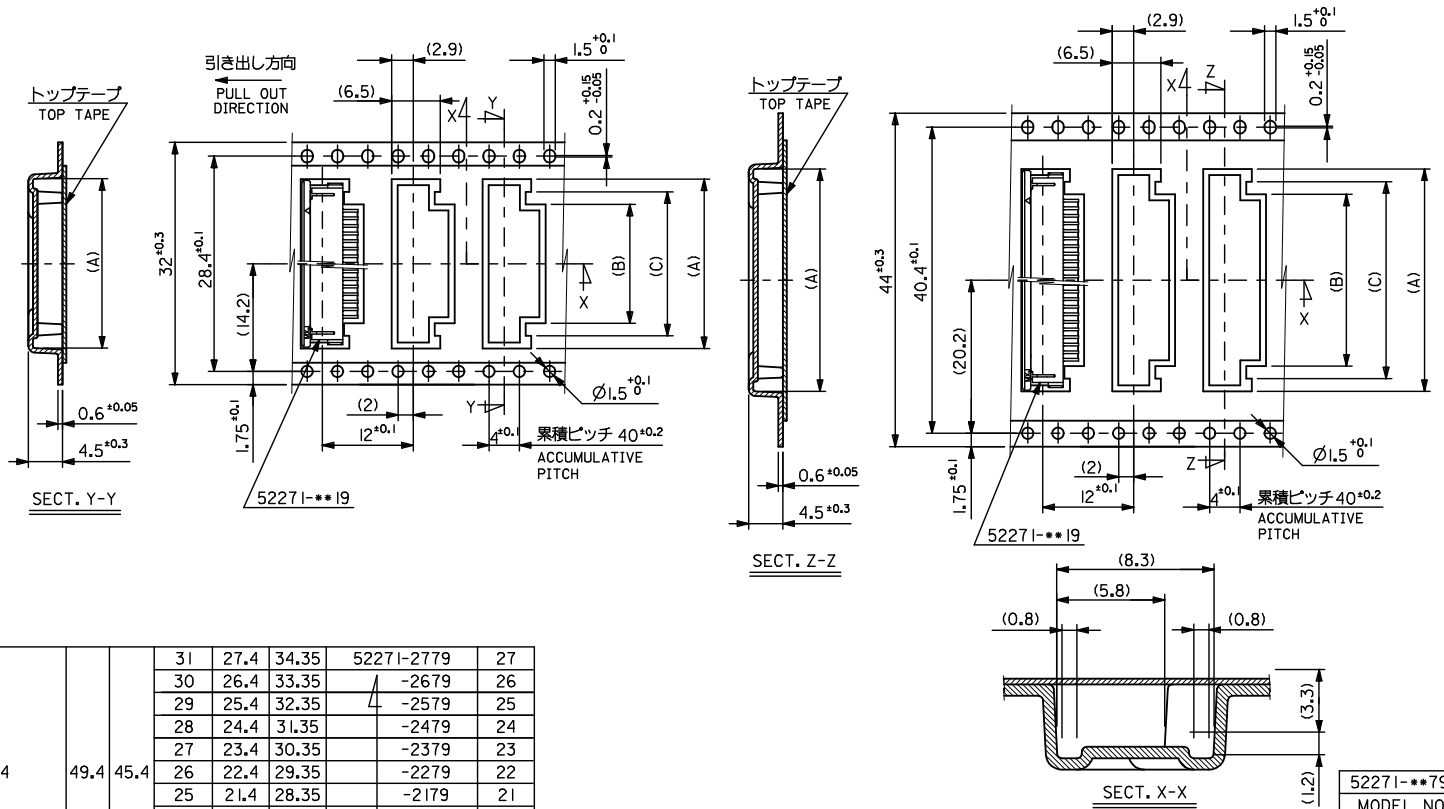
1. 製品番号 52271-\*\*-19 の梱包状態はアクチュエータがロックした状態とする。  
IN THE PACKAGE, ACTUATOR OF PART NO. 52271-\*\*-19 SHOULD BE LOCKED RE DETAILED DIMENSIONS, SEE SD-52271-036.
2. 梱包数量: 1000個/リール  
NUMBER OF CONNECTORS: 1000 PCS/REEL
3. リードテープ長さ LEAD TAPE LENGTH  
トップテープ リーダー部 TOP TAPE LEADER PART (75 ±25)  
トップテープ 未接線部 TOP TAPE NON-SOLDERED PART (25 ±5)
4. トップテープの剥離強度: 0.1~1.3N (10~130gf) (剥離方向は下図参照)  
PEELING OFF FORCE OF TOP TAPE: 0.1~1.3N(10~130gf) (PEELING DIRECTION AS SHOWN IN FOLLOWING FIG.)  
此の要求は出荷時に適用される。輸送中の剥離は発生しない。  
THIS REQUIREMENT SHOULD BE APPLIED AT SHIPMENT. PEEL OFF SHOULD NOT BE ALLOWED, DURING TRANSPORTATION
5. 材料 (MATERIAL)  
キャリアテープ (CARRIER TAPE): ポリプロピレン (POLYPROPYLENE)  
トップテープ (TOP TAPE): PET, PE, PEF  
リール (REEL): ポリスチレン (PS) (リサイクル材を含む)  
POLYSTYRENE (PS) (RECYCLE MATERIAL CONTAINED)
6. 本製品は52271-\*\*-90の鉛フリー品である。  
THIS PRODUCT IS LEAD FREE OF 52271-\*\*-90.
7. 本製品は乾燥剤入り、ハイバリア梱包仕様である。  
THIS PRODUCT IS HIGH BARRIER PACKAGE WITH DESICCANT.



24	29.4	25.4	15	11.4	18.3	52271-1179	11
			14	10.4	17.3	-1079	10
			13	9.4	16.3	-0979	9
			12	8.4	15.3	-0879	8
			11	7.4	14.3	-0779	7
			10	6.4	13.3	-0679	6
			9	5.4	12.3	-0579	5
			8	4.4	11.3	52271-0479	4

REVISED	EC NO. J2009-2061	2009/05/20	2009/05/21	2009/05/21	2009/05/21	DESCRIPTION	GENERAL TOLERANCES (UNLESS SPECIFIED)	DIMENSION STYLE	SCALE	DESIGN UNITS	MATERIAL NO.	種数	
	DRAWN BY	DATE	CHECKED BY	DATE	TITLE		MM ONLY	---	METRIC	◎	THIRD ANGLE PROJECTION		
	APPROVED BY	DATE			EMBOSSED TAPE PACKAGE FOR 52271-**-19 -LEAD FREE-								
					MOLEX INCORPORATED								
A							DRAFT WHERE APPLICABLE MUST REMAIN WITHIN DIMENSIONS	SEE TABLE			SD-52271-037	SHEET NO. 1 OF 3	

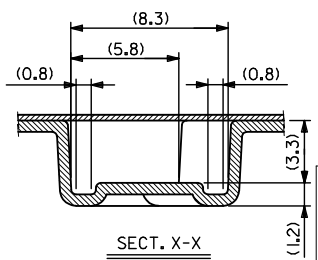
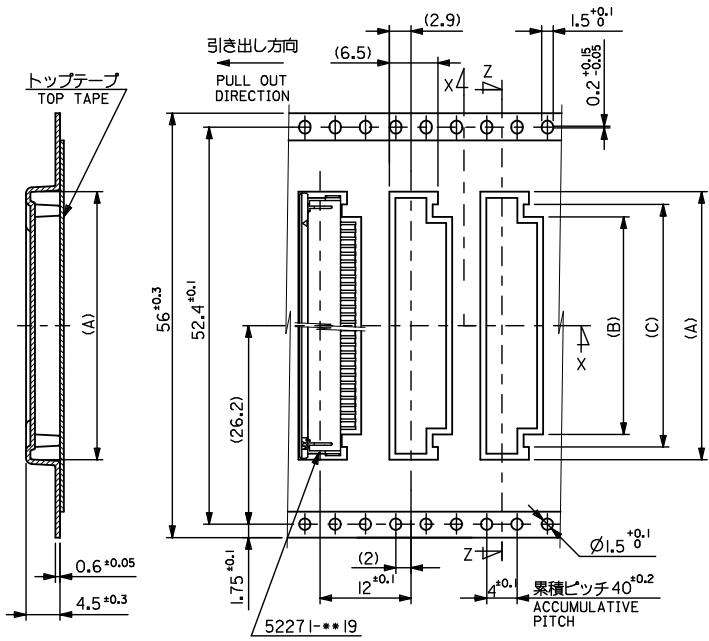
10 9 8 7 6 5 4 3 2 1



44	49.4	45.4	31	27.4	34.35	52271-2779	27
			30	26.4	33.35	-2679	26
			29	25.4	32.35	-2579	25
			28	24.4	31.35	-2479	24
			27	23.4	30.35	-2379	23
			26	22.4	29.35	-2279	22
			25	21.4	28.35	-2179	21
			24	20.4	27.35	-2079	20
			23	19.4	26.35	-1979	19
			22	18.4	25.35	-1879	18
			21	17.4	24.35	-1779	17
32	37.4	33.4	20	16.4	23.35	-1679	16
			19	15.4	22.35	-1579	15
			18	14.4	21.35	-1479	14
			17	13.4	20.35	-1379	13
			16	12.4	19.35	-1279	12
			(C)	(B)	(A)	MATERIAL NO.	電 料 部 門

REVISED IEC NO. J2009-2061 DRAWN BY CHIKO MATSUMOTO APPROVED BY APRIL 17, 2009 DESCRIPTION 2009/05/20 2009/05/21 2009/05/21	GENERAL TOLERANCES (UNLESS SPECIFIED) 10 UNDER ±0.2 10 OVER 30 UNDER ±0.25 30 OVER ±0.3 ANGULAR ±0.3 DRAFT WHERE APPLICABLE MUST REMAIN WITHIN DIMENSIONS	DIMENSION STYLE MM ONLY DRAWN BY H. KAWABATA CHECKED BY K. TOJO APPROVED BY M. SASAO MATERIAL NO. SEE TABLE SIZE A3	SCALE --- DESIGN UNITS METRIC TITLE EMBOSSED TAPE PACKAGE FOR 52271-**19 -LEAD FREE- MOLEX INCORPORATED DOCUMENT NO. SD-52271-037	MODEL NO. 52271-**79 THIRD ANGLE PROJECTION SHEET NO. 2 OF 3
	THIS DRAWING CONTAINS INFORMATION THAT IS PROPRIETARY TO MOLEX INCORPORATED AND SHOULD NOT BE USED WITHOUT WRITTEN PERMISSION			
	EN-02JA(021)			
	2006/04/15			

10 9 8 7 6 5 4 3 2 1



56	61.4	57.4	34	30.4	37.35	52271-3079	30
			33	29.4	36.35	52271-2979	29
			32	28.4	35.35	52271-2879	28
			(C)	(B)	(A)	MATERIAL NO.	電 車 Ckt.

キャリアテープ幅  
CARRIER TAPE WIDTH  
tb\_frame\_A3\_ME\_S  
Rev. E 2006/04/15

REVISED		GENERAL TOLERANCES (UNLESS SPECIFIED)		DIMENSION STYLE		SCALE		DESIGN UNITS		MODEL NO.	
IEC NO. J2009-2061		10 UNDER ±0.2		MM ONLY		---		METRIC		52271-***79	
DRAWN: KON		10 OVER 30 UNDER ±0.25		DRAWN BY DATE		---		THIRD ANGLE PROJECTION		TITLE	
CHIKUHMATSUMOTO		30 OVER ±0.3		H. KAWABATA 2004/03/12		---		---		EMBOSSED TAPE PAKEGE FOR 52271-***19 -LEAD FREE-	
APPROVAL: ITA		ANGULAR ±3		CHECKED BY DATE		---		---		MOLEX INCORPORATED	
REV		DRAFT WHERE APPLICABLE MUST REMAIN WITHIN DIMENSIONS		K. TOJO 2004/03/12		---		---		MATERIAL NO.	
A				APPROVED BY DATE		---		---		SEE TABLE	
				M. SASAO 2004/03/12		---		---		DOCUMENT NO.	
				SIZE		---		---		SD-52271-037	
				A3		---		---		SHEET NO.	
				THIS DRAWING CONTAINS INFORMATION THAT IS PROPRIETARY TO MOLEX INCORPORATED AND SHOULD NOT BE USED WITHOUT WRITTEN PERMISSION		---		---		3 OF 3	