

## Excellent Integrated System Limited

Stocking Distributor

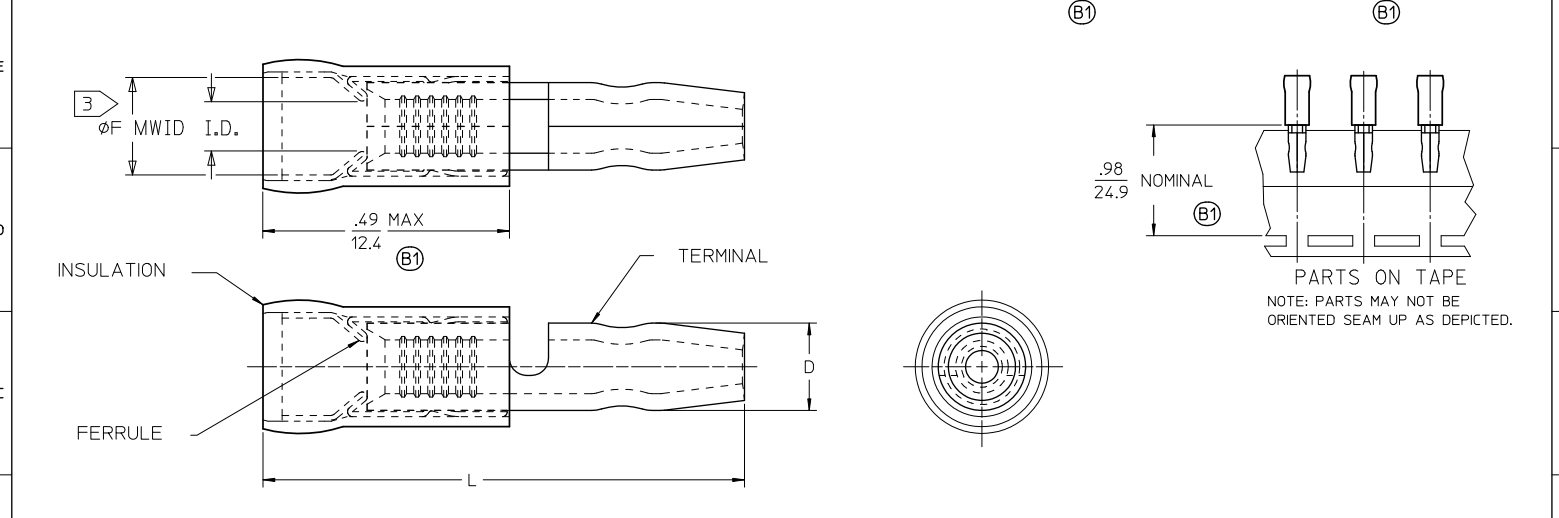
Click to view price, real time Inventory, Delivery & Lifecycle Information:

[Molex Connector Corporation](#)  
[0190360005](#)

For any questions, you can email us directly:

[sales@integrated-circuit.com](mailto:sales@integrated-circuit.com)

MATERIAL NUMBER LOOSE PCS	ENGINEERING NUMBER LOOSE PCS	MATERIAL NUMBER ON TAPE	ENGINEERING NUMBER ON TAPE	MATERIAL NUMBER ON BIG REEL	ENGINEERING NUMBER ON BIG REEL	WIRE RANGE AWG	INSULATION COLOR	I.D. MIN	3 $\phi$ F MWD	$\phi$ D (B1)	L MAX	(B1)
190360001	A-859	190360002	A-859T			22-18	RED	.056/1.42	.140/3.56	.180/4.57	.98/24.9	
190360003	A-869	190360005	A-869T	190360004	A-869BT	22-18	RED	.056/1.42	.140/3.56	.156/3.96	.93/23.6	
190360006	B-879	190360007	B-879T			16-14	BLUE	.082/2.08	.170/4.32	.180/4.57	.98/24.9	
190360008	B-889	190360009	B-889T			16-14	BLUE	.082/2.08	.170/4.32	.156/3.96	.93/23.6	



- NOTES:
- MATERIAL: TERMINAL: COPPER .031 REF/(0.79) REF THK.  
FINISH: ELECTRO-TIN PLATING.  
FERRULE: COPPER ALLOY  
FINISH: ELECTRO-TIN PLATING  
INSULATION: NYLON 94V2  
COLOR SEE CHART
2. FOR WIRE RANGE SEE CHART.
3. MAX WIRE INSULATION DIAMETER.
4. PARTS ARE ROHS COMPLIANT.

SALES DRAWING

CORRECT TOLERANCES EC NO: WNA2010-0376 DRAWN: THRODHL 2008/11/16 CHKD: MAGNETL 2008/11/17 APPR: JHAGNEL 2009/11/23	QUALITY SYMBOLS ▽=0 ▽=0	GENERAL TOLERANCES (UNLESS SPECIFIED)		DIMENSION STYLE IN/MM		SCALE ---	DESIGN UNITS INCH	THIRD ANGLE PROJECTION	
		4 PLACES ± --- ± ---	3 PLACES ± --- ± .005	2 PLACES ± 0.13 ± .01	1 PLACE ± 0.25 ± ---	ANGULAR ± ---°	DRAWN BY BENDERLE DATE 2005/04/04	CHECKED BY R DEROSS DATE 2005/04/04	TITLE AVIKRIMP MALE BULLET SNAP PLUG EXTRUDED HOUSING
DRAFT WHERE APPLICABLE MUST REMAIN WITHIN DIMENSIONS		MATERIAL NO. SEE CHART		DOCUMENT NO. SD-19036-001		Molex MOLEX INCORPORATED			
REV B1		SIZE B		THIS DRAWING CONTAINS INFORMATION THAT IS PROPRIETARY TO MOLEX INCORPORATED AND SHOULD NOT BE USED WITHOUT WRITTEN PERMISSION			SHEET NO. 1 OF 1		