

Excellent Integrated System Limited

Stocking Distributor

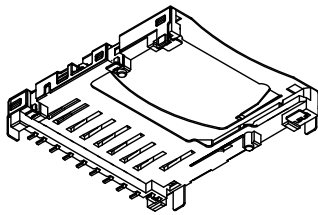
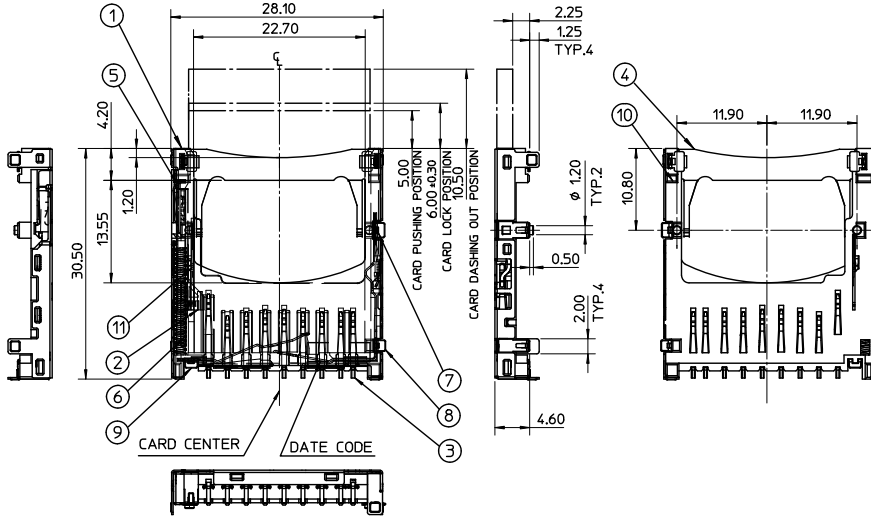
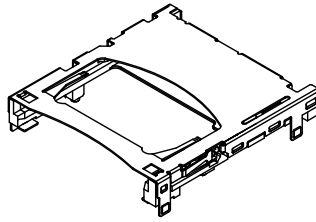
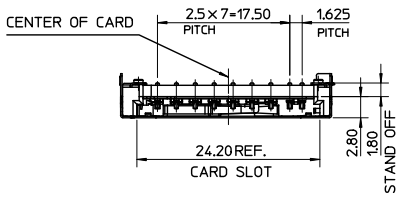
Click to view price, real time Inventory, Delivery & Lifecycle Information:

[Molex Connector Corporation](#)
[0678408001](#)

For any questions, you can email us directly:

sales@integrated-circuit.com

10 9 8 7 6 5 4 3 2 1



NOTES:

1. TERMINAL AND NAIL COPLANARITY TO BE 0.1 MAX.
2. WHEN DELIVERING, THE PUSH/PUSH MECHANISM IS IN THE STATE OF THE UNLOCK (CARD DASHING OUT POSITION)
3. CARD READ ONLY BY THE TIME THE CARD DETECTION SWITCH WORKS.
4. OPENING AND CLOSE OF EACH SWITCH.

CARD INSERTION STATUS	WRITE PROTECT SWITCH		DETECT SWITCH
	WRITE PROTECT POSITION	WRITE ENABLE POSITION	
CARD UNINSERTION	OPEN	OPEN	OPEN
CARD HALF INSERTION	CLOSE	CLOSE	OPEN
CARD INSERTION	OPEN	CLOSE	CLOSE

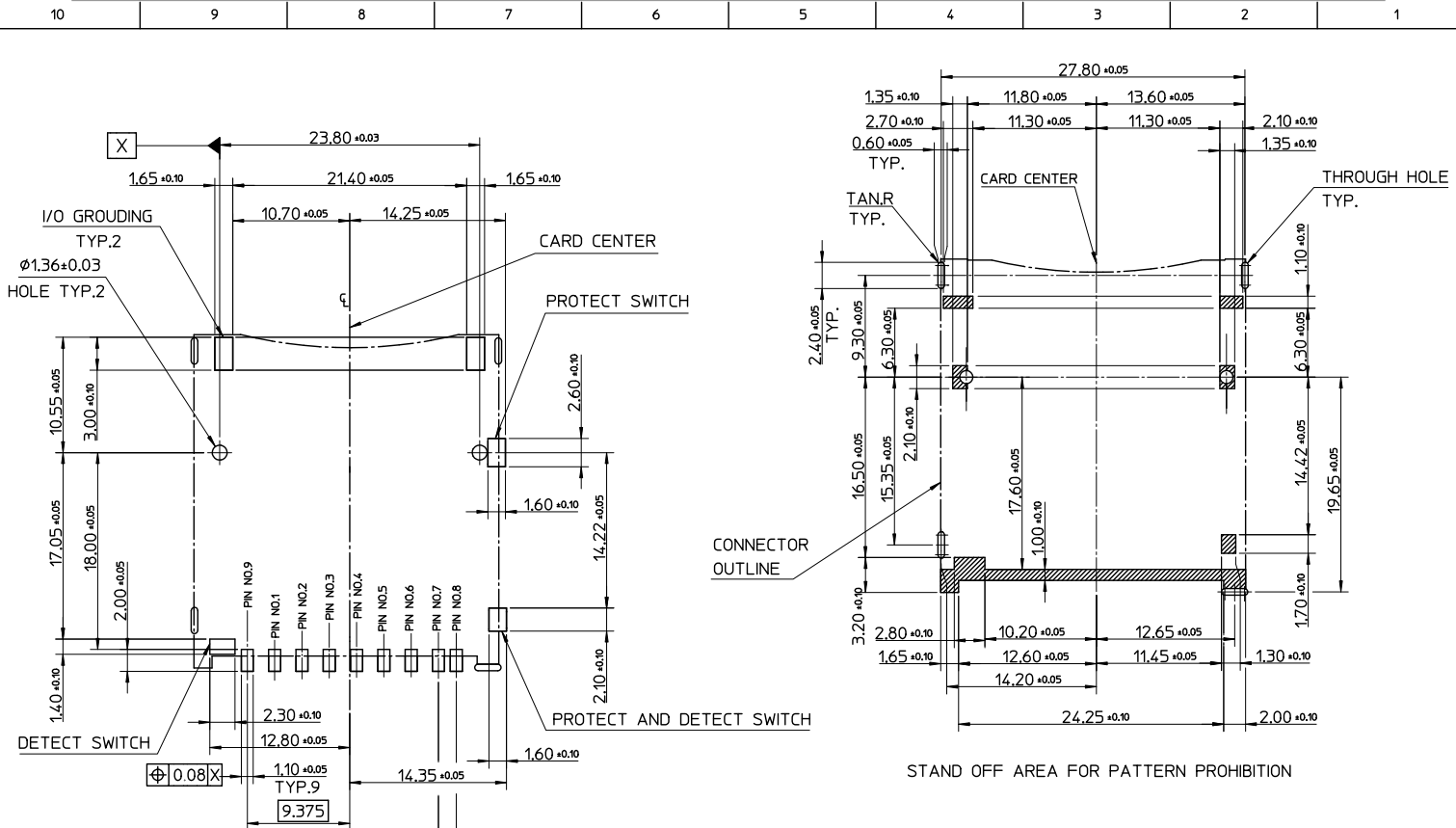
5. MATERIAL AND FINISH AS BELOW

NO	NAME	QTY	MATERIAL
1	HOUSING	1	LCP,UL 94V-0,COLOR:BLACK
2	HEART CAM	1	LCP,UL 94V-0,COLOR:BLACK
3	TERMINAL	9	COPPER ALLOY,SELECTIVE Au PLATING
4	METAL SHELL	1	STAINLESS STEEL
5	PIN	1	STAINLESS STEEL
6	SPRING	1	STEEL WIRE
7	PROTECT TERMINAL	1	COPPER ALLOY, SELECTIVE Au PLATING
8	PROTECT AND DETECT TERMINAL	1	COPPER ALLOY, SELECTIVE Au PLATING
9	DETECT TERMINAL	1	COPPER ALLOY, SELECTIVE Au PLATING
10	NAIL	2	COPPER ALLOY, PURE TIN PLATING
11	CARD LOCK	1	STAINLESS STEEL

6. PRODUCT SPECIFICATION : PER PS-67840-001
7. I/O CONTACTS, BASE ON SD I/O ASSOC. REV. G.
8. THIS HAS A LOCK MECHANISM FOR SD CARD.IT DOES NOT WORK FOR THE MMC. CARD AT LOCK POSITION, IF PULLED OUT MANUALLY. THE NEXT CARD INSERTED WILL BE EJECTED.
9. RECOMMENED P.C.BOARD THICKNESS: 0.8±0.1
10. PACKAGING REFERS TO PK-67840-001

MODIFY PACKAGE EC NO: SH2011-0066 DRAWN: JLU39 CHKD: JLU39 APPR: XJSONG	2010/08/23 2010/08/23 2010/08/27	QUALITY SYMBOLS √=0 ∇=0 ∇=0	GENERAL TOLERANCES (UNLESS SPECIFIED)		DIMENSION STYLE		SCALE	DESIGN UNITS	THIRD ANGLE PROJECTION		
			mm	INCH	MM ONLY		2:1	METRIC			
			DRAWN BY DATE		CHECKED BY DATE		APPROVED BY DATE			TITLE	
			QZHANG 2004/12/06		HARVEY 2004/12/06		XJSONG 2010/08/26			SD MEMORY CARD CONN. ASS'Y(TOP MOUNT TYPE 1.8 MM STAND OFF, LEAD-FREE)	
DRAFT WHERE APPLICABLE MUST REMAIN WITHIN DIMENSIONS			MATERIAL NO. 67840-8001		DOCUMENT NO. SD-67840-007		SHEET NO. 1 OF 3				
THIS DRAWING CONTAINS INFORMATION THAT IS PROPRIETARY TO MOLEX INCORPORATED AND SHOULD NOT BE USED WITHOUT WRITTEN PERMISSION											

9 8 7 6 5 4 3 2 1

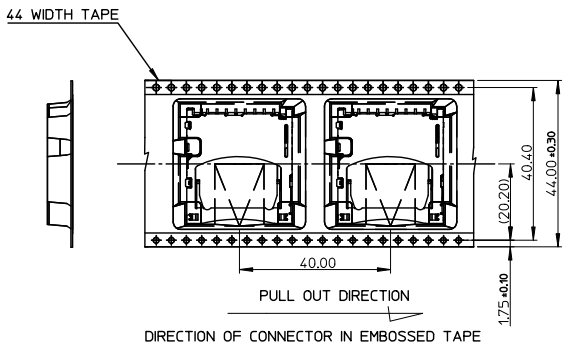
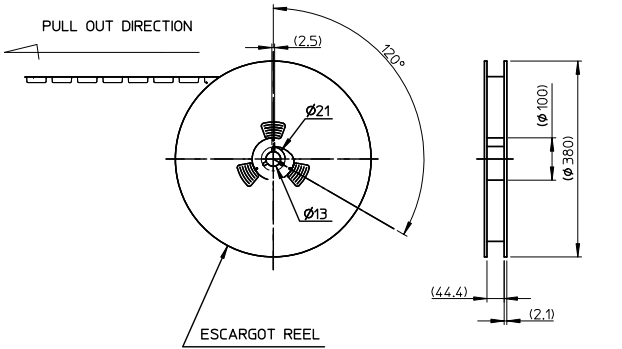


RECOMMENDED PCB PATTERN LAYOUT

STAND OFF AREA FOR PATTERN PROHIBITION

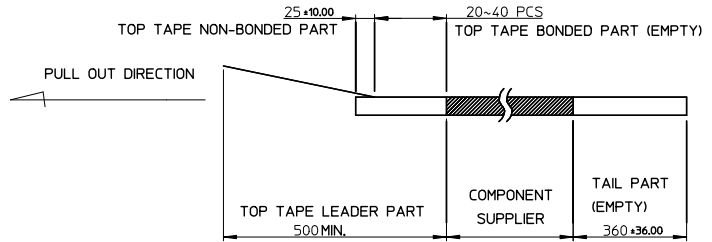
MODIFY PACKAGE EC NO: SH2011-0066 DRAWN: JL U39 CHKD: JL U39 APPR: XJSONG	2010/08/23 2010/08/23 2010/08/27	QUALITY SYMBOLS $\nabla=0$ $\nabla=0$ $\nabla=0$	GENERAL TOLERANCES (UNLESS SPECIFIED)		DIMENSION STYLE MM ONLY		SCALE 1:1	DESIGN UNITS METRIC	THIRD ANGLE PROJECTION
	4 PLACES ± --- ± --- 3 PLACES ± --- ± --- 2 PLACES ± 0.25 ± --- 1 PLACE ± 0.25 ± --- ANGULAR ± 3°		mm INCH DRAWN BY OLZHANG CHECKED BY HARVEY APPROVED BY XJSONG DATE 2004/12/06 2004/12/06 2010/08/26	TITLE SD MEMORY CARD CONN. ASS'Y(TOP MOUNT TYPE 1.8 MM STAND OFF, LEAD-FREE)		MOLEX INCORPORATED		DOCUMENT NO. SD-67840-007	SHEET NO. 2 OF 3
DRAFT WHERE APPLICABLE MUST REMAIN WITHIN DIMENSIONS	MATERIAL NO. 67840-8001	THIS DRAWING CONTAINS INFORMATION THAT IS PROPRIETARY TO MOLEX INCORPORATED AND SHOULD NOT BE USED WITHOUT WRITTEN PERMISSION							

10 9 8 7 6 5 4 3 2 1

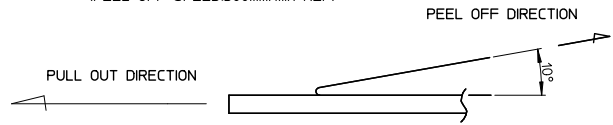


NOTES:

1. NUMBER OF CONNECTORS: 250 PCS/REEL
- 2.



3. PEEL-OFF FORCE OF TOP TAPE: 0.1-1.3N (10.2-130gf)
(PEELING DIRECTION AS SHOWN IN FOLLOWING FIGURE.)
(PEEL-OFF SPEED: 300mm/min REF)



MODIFY PACKAGE EC NO: SH2011-0066 DRAWN: JL1039 CHKD: JL1039 APPR: XJSONG	2010/08/23 2010/08/23 2010/08/23	QUALITY SYMBOLS √=0 ∇=0 ∇=0	GENERAL TOLERANCES (UNLESS SPECIFIED)		DIMENSION STYLE MM ONLY		SCALE 1:1	DESIGN UNITS METRIC	THIRD ANGLE PROJECTION
			4 PLACES ± --- ± --- 3 PLACES ± --- ± --- 2 PLACES ± 0.25 ± --- 1 PLACE ± 0.25 ± --- ANGULAR ± 3°	DRAWN BY QLZHANG DATE 2004/12/06	CHECKED BY HARVEY DATE 2004/12/06	APPROVED BY XJSONG DATE 2010/08/26	TITLE SD MEMORY CARD CONN. ASS'Y(TOP MOUNT TYPE 1.8 MM STAND OFF, LEAD-FREE)	MATERIAL NO. 67840-8001	DOCUMENT NO. SD-67840-007
DRAFT WHERE APPLICABLE MUST REMAIN WITHIN DIMENSIONS			THIS DRAWING CONTAINS INFORMATION THAT IS PROPRIETARY TO MOLEX INCORPORATED AND SHOULD NOT BE USED WITHOUT WRITTEN PERMISSION						

9 8 7 6 5 4 3 2 1