

Excellent Integrated System Limited

Stocking Distributor

Click to view price, real time Inventory, Delivery & Lifecycle Information:

[Molex Connector Corporation](#)
[0018121221](#)

For any questions, you can email us directly:

sales@integrated-circuit.com

PART NO.	ENG. NO.
18-12-1222	2047- (KP90 DL)
18-12-1221	2047- (KP90 I)

LEGEND

2047- I(****)*

VERSION ———> I(****)*

FORM ———> L=LOOSE

BLANK=CHAIN

P=PREPLATE

BLANK=POSTPLATE

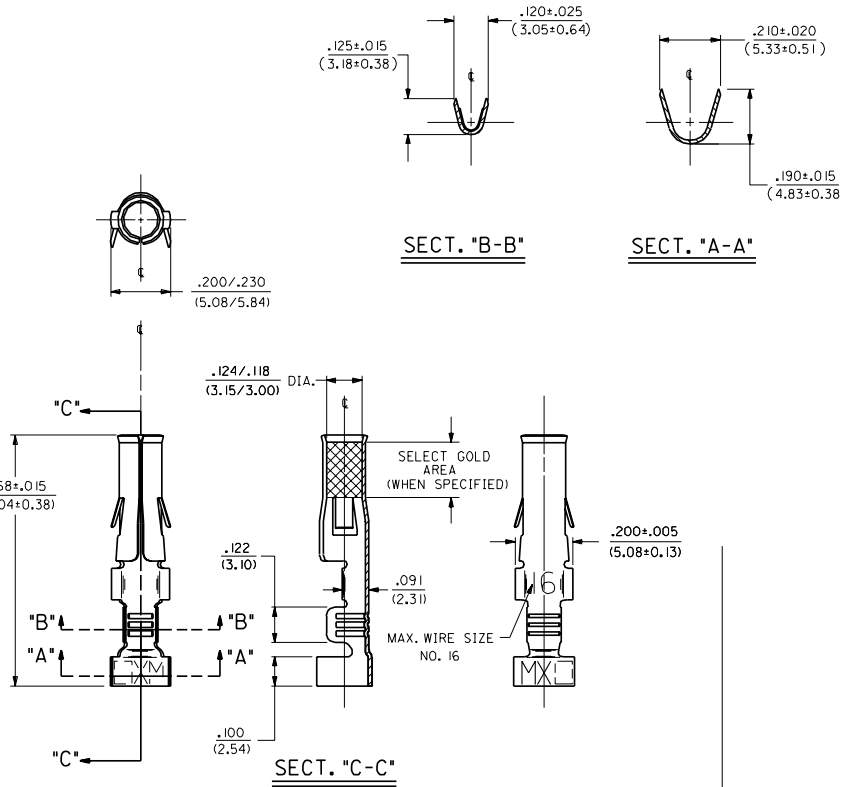
FINISH CODE ———> *

.120/(3.05) MAX. DIA. INSULATION

- NOTES:**
1. TERMINAL FOR USE WITH .125/(3.17) SERIES HOUSINGS AND WILL ACCEPT 16 THRU 18 AWG WIRE HAVING A .120/(3.05) MAX. DIAMETER INSULATION.
 2. INSERTION FORCE: 6.0 LBS. MAX. WHEN TERMINAL IS INSERTED INTO .125/(3.17) DIA. CORE HOLE.
 3. PULL OUT FORCE: 30 LBS. MIN. RETENTION IN HOUSING .

FINISH CODES:

901 HOT TIN DIP .000020/(0.0005) MIN.



MATERIAL NOTES:

1. CARTRIDGE BRASS, ALLOY #C26000; .013/(0.33) THICK, SPRING TEMPER

REV.	DATE	REVISIONS
E 1	08/21/95	REV. - K555J & K555IL ECR U6 0379 RW
E	03-5-90	ADD SELECT AREA ECR #U0 0230 RW
D	11-28-89	REVISE PER ECR U8 189 RW
C	10-4-88	REV. & REDRAWN ECR U8 1941 RW

MFG. SH.	REV.	L.T.R.	REVISIONS

DIMENSIONS SHOWN METRIC INCH		UNLESS OTHERWISE SPECIFIED (Ø)	
3 PLACE ± .010	---	---	---
2 PLACE ± .014	± 0.25	---	---
1 PLACE ---	± 0.35	---	---
DRAFT WHEN APPLICABLE MUST REMAIN WITHIN DIMENSIONS			

REVISIONS ONLY ON CAD SYSTEM

TITLE: CRIMP TERMINAL, FEMALE, .125/(3.17) DIA 16-18 AWG .120/(3.05) DIA. INSUL.

MOLEX INCORPORATED

FILE NAME: SD-2047-1

SCALE: 4 : 1

DATE: 10/4/88

NO. 1 P.S.