

Excellent Integrated System Limited

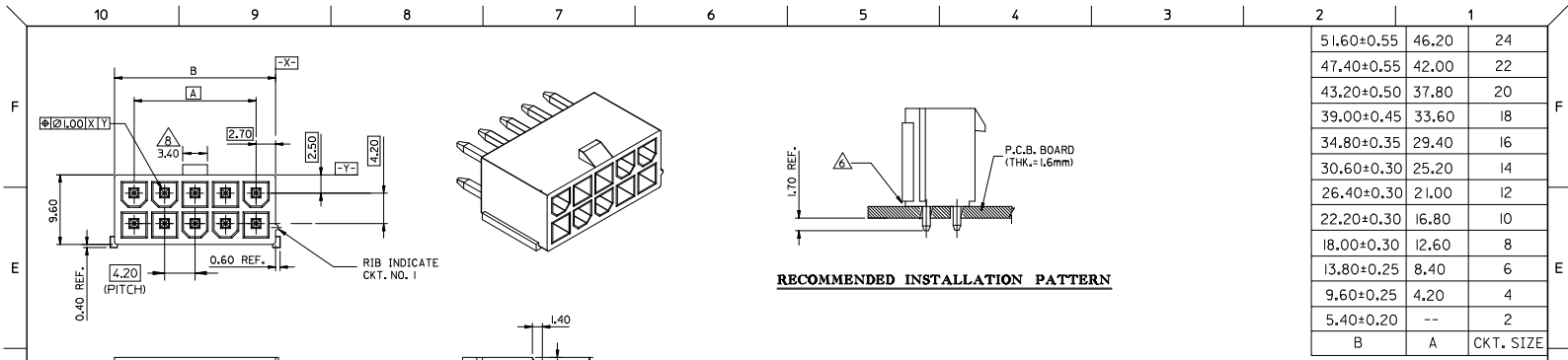
Stocking Distributor

Click to view price, real time Inventory, Delivery & Lifecycle Information:

[Molex Connector Corporation](#)
[0874270442](#)

For any questions, you can email us directly:

sales@integrated-circuit.com



RECOMMENDED INSTALLATION PATTERN

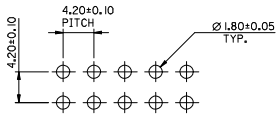
NOTES

- MATERIALS:
- HEADER: NYLON 46, UL94V-0, COLOR SEE LEGEND.
- PIN: BRASS
- FINISH- PLATING OF PIN:
△2 △.00254 MIN. MATTE TIN OVER .00127 MIN. NICKEL
△2.3 0.00076 MIN. SELECT GOLD AND 0.00254 MIN.SELECT MATTE TIN OVER 0.00127 MIN. NICKEL OVERALL
- PRODUCT SPECIFICATION: PS-87427-0001.
PACKAGING SPECIFICATION:
BULK PACK PER PK-87427-004.
TAPE & REEL PACK PER PK-36633-008 OR PK-87427-009
- MATES WITH: MINI-FIT JR. RECEPTACLE SERIES 5557.
- HOUSING STANDOFF (0.70mm REF)
- THESE PARTS CONFORM TO CLASS 'B' REQUIREMENTS OF COSMETIC SPECIFICATION PS-45499-002.
- THIS DIMENSION IS 4.2 ON 2 CKT PARTS.
- DISCOLORATION IN THE BANDOLIER CARRIER AREA OF THE PIN IS INHERENT TO THE PLATING PROCESS AND IS DUE TO THE MASKING EFFECT OF THE CARRIER. THIS DISCOLORATION IS IN A NON-FUNCTIONAL AREA OF THE PIN AND WILL NOT AFFECT THE PERFORMANCE OF THE HEADER ASSEMBLY.
- PARTS ARE NOT DESIGNED FOR CURRENT SHARING.
- CONNECTORS ARE NOT TO BE MATED AND UNMATED WHILE CIRCUITS ARE LIVE.

LEGEND

- 36633-**** SEE SHEET 2 FOR CKT SIZE, PKG. PLATING, & HSG COLOR OPTIONS.
- 87427-**** CKT. SIZE
- PLATING OPTIONS
2 = NOTE △
8 = NOTE △
- COLOR & PACKAGING
3 = BEIGE, TAPE & REEL PACKED △
4 = BEIGE, BULK PACKED △
9 = BLACK, BULK PACKED △

RECOMMENDED P.C.B. LAYOUT



| | | | | | | | | | |
|---|--------------------------------------|---------------------------------------|------|----------------------------|----------------|---|------------------------|------------------------|--|
| OBS P/N 'S EC NO: LCP2013-1112 DRAWN BY: DRWINBREE CHKD: BELL APPR: SMITH | QUALITY SYMBOLS ▽=0 ▽=0 ▽=0 | GENERAL TOLERANCES (UNLESS SPECIFIED) | | DIMENSION STYLE MM ONLY | | SCALE 4:1 | DESIGN UNITS METRIC | THIRD ANGLE PROJECTION | |
| | | mm | INCH | DRAWN BY SAM.C | DATE 960401 | TITLE 4.2MM W-T-B VERT. HEADER W/O FLANGES MINI-FIT JR | | | |
| REV | DESCRIPTION | 4 PLACES ±--- | ±--- | CHECKED BY | DATE | | | | |
| | | 3 PLACES ±--- | ±--- | APPROVED BY | DATE | | | | |
| | | 2 PLACES ±0.20 | ±--- | FSMITH | 2010/10/04 | DOCUMENT NO. SD-87427-***4* | | SHEET NO. 1 OF 2 | |
| | | 1 PLACE ±--- | ±--- | MATERIAL NO. SEE CHART | | THIS DRAWING CONTAINS INFORMATION THAT IS PROPRIETARY TO MOLEX INCORPORATED AND SHOULD NOT BE USED WITHOUT WRITTEN PERMISSION | | | |
| | | 0 PLACE ±--- | ±--- | SIZE B | | | | | |

| | 10 | 9 | 8 | 7 | 6 | 5 | 4 | 3 | 2 | 1 | | | | | | | | | | | | | | | | | | | | | | | | | | | | | | | | | | | | | | | | | | | | | | | | | | | | | | | | | | | | | | | | | | | | | | | | | | | | | | | | | | | | | | | | | | | | | | | | | | | | | | | | | | | | | | | | | | | | | | | | | | | | | | | | | |
|----------------------|--|-----------------------|---|----------------------|---|----------------------|-------------|-----------|-------------|----------|--------------------|-----------|-------------|-----------|----------------------|----------|-----------------------|-----------|----------------------|-----------|----------------------|---------|-------------|-----------|--|--|---|--|-------------|--|---|------------|----|------------|----|---|------------|----|---|------------|----|------------|----|---|------------|----|---|------------|----|------------|----|---|------------|----|---|------------|----|------------|----|---|------------|----|---|------------|----|------------|----|---|------------|----|---|------------|----|------------|----|---|------------|----|---|------------|----|------------|----|---|------------|----|---|------------|----|------------|----|---|------------|----|---|------------|---|------------|---|---|------------|---|---|------------|---|------------|---|---|------------|---|---|------------|---|------------|---|---|------------|---|---|------------|---|------------|---|---|------------|---|--|----------|-----------|----------|-----------|----------|-----------|----------|-----------|--|--|--|--|
| F | CKT.SIZE 14 | | CKT.SIZE 12 | | | | | | | | | | | | | | | | | | | | | | | | | | | | | | | | | | | | | | | | | | | | | | | | | | | | | | | | | | | | | | | | | | | | | | | | | | | | | | | | | | | | | | | | | | | | | | | | | | | | | | | | | | | | | | | | | | | | | | | | | | | | | | | | | | | | | | | | |
| E | CKT.SIZE 16 | | CKT.SIZE 10 | | | | | | | | | | | | | | | | | | | | | | | | | | | | | | | | | | | | | | | | | | | | | | | | | | | | | | | | | | | | | | | | | | | | | | | | | | | | | | | | | | | | | | | | | | | | | | | | | | | | | | | | | | | | | | | | | | | | | | | | | | | | | | | | | | | | | | | | |
| D | CKT.SIZE 18 | | CKT.SIZE 8 | | | | | | | | | | | | | | | | | | | | | | | | | | | | | | | | | | | | | | | | | | | | | | | | | | | | | | | | | | | | | | | | | | | | | | | | | | | | | | | | | | | | | | | | | | | | | | | | | | | | | | | | | | | | | | | | | | | | | | | | | | | | | | | | | | | | | | | | |
| C | CKT.SIZE 20 | | CKT.SIZE 6 | | | | | | | | | | | | | | | | | | | | | | | | | | | | | | | | | | | | | | | | | | | | | | | | | | | | | | | | | | | | | | | | | | | | | | | | | | | | | | | | | | | | | | | | | | | | | | | | | | | | | | | | | | | | | | | | | | | | | | | | | | | | | | | | | | | | | | | | |
| B | CKT.SIZE 22 | | CKT.SIZE 4 | | | | | | | | | | | | | | | | | | | | | | | | | | | | | | | | | | | | | | | | | | | | | | | | | | | | | | | | | | | | | | | | | | | | | | | | | | | | | | | | | | | | | | | | | | | | | | | | | | | | | | | | | | | | | | | | | | | | | | | | | | | | | | | | | | | | | | | | |
| A | CKT.SIZE 24 | | CKT.SIZE 2 | | | | | | | | | | | | | | | | | | | | | | | | | | | | | | | | | | | | | | | | | | | | | | | | | | | | | | | | | | | | | | | | | | | | | | | | | | | | | | | | | | | | | | | | | | | | | | | | | | | | | | | | | | | | | | | | | | | | | | | | | | | | | | | | | | | | | | | | |
| | | | | | <p>“#” CONSULT FACTORY FOR AVAILABILITY</p> <table border="1"> <thead> <tr> <th colspan="2">BULK PACKED</th> <th colspan="2">BULK PACKED</th> <th colspan="2">TAPE & REEL PACKED</th> <th colspan="2">BULK PACKED</th> </tr> <tr> <th colspan="2">PLATING=TINΔ</th> <th colspan="2">PLATING=GOLDΔ</th> <th colspan="2">PLATING=TINΔ</th> <th colspan="2">PLATING=TINΔ</th> </tr> <tr> <th colspan="2">COLOR=BLACK</th> <th colspan="2">COLOR=BEIGE</th> <th colspan="2">COLOR=BEIGE</th> <th colspan="2">COLOR=BEIGE</th> </tr> </thead> <tbody> <tr> <td>#</td> <td>87427-2492</td> <td>24</td> <td>87427-2448</td> <td>24</td> <td>#</td> <td>87427-2432</td> <td>24</td> </tr> <tr> <td>#</td> <td>87427-2292</td> <td>22</td> <td>87427-2248</td> <td>22</td> <td>#</td> <td>87427-2232</td> <td>22</td> </tr> <tr> <td>#</td> <td>87427-2092</td> <td>20</td> <td>87427-2048</td> <td>20</td> <td>#</td> <td>87427-2032</td> <td>20</td> </tr> <tr> <td>#</td> <td>87427-1892</td> <td>18</td> <td>87427-1848</td> <td>18</td> <td>#</td> <td>87427-1832</td> <td>18</td> </tr> <tr> <td>#</td> <td>87427-1692</td> <td>16</td> <td>87427-1648</td> <td>16</td> <td>#</td> <td>87427-1632</td> <td>16</td> </tr> <tr> <td>#</td> <td>87427-1492</td> <td>14</td> <td>87427-1448</td> <td>14</td> <td>#</td> <td>87427-1432</td> <td>14</td> </tr> <tr> <td>#</td> <td>87427-1292</td> <td>12</td> <td>87427-1248</td> <td>12</td> <td>#</td> <td>87427-1232</td> <td>12</td> </tr> <tr> <td>#</td> <td>87427-1092</td> <td>10</td> <td>87427-1048</td> <td>10</td> <td>#</td> <td>87427-1032</td> <td>10</td> </tr> <tr> <td>#</td> <td>87427-0892</td> <td>8</td> <td>87427-0848</td> <td>8</td> <td>#</td> <td>87427-0832</td> <td>8</td> </tr> <tr> <td>#</td> <td>87427-0692</td> <td>6</td> <td>87427-0648</td> <td>6</td> <td>#</td> <td>36633-0010</td> <td>6</td> </tr> <tr> <td>#</td> <td>87427-0492</td> <td>4</td> <td>87427-0448</td> <td>4</td> <td>#</td> <td>36633-0009</td> <td>4</td> </tr> <tr> <td>#</td> <td>87427-0292</td> <td>2</td> <td>87427-0248</td> <td>2</td> <td>#</td> <td>36633-0008</td> <td>2</td> </tr> <tr> <td></td> <td>ENG. NO.</td> <td>CKT. SIZE</td> <td>ENG. NO.</td> <td>CKT. SIZE</td> <td>ENG. NO.</td> <td>CKT. SIZE</td> <td>ENG. NO.</td> <td>CKT. SIZE</td> </tr> </tbody> </table> | | BULK PACKED | | BULK PACKED | | TAPE & REEL PACKED | | BULK PACKED | | PLATING=TIN Δ | | PLATING=GOLD Δ | | PLATING=TIN Δ | | PLATING=TIN Δ | | COLOR=BLACK | | COLOR=BEIGE | | COLOR=BEIGE | | COLOR=BEIGE | | # | 87427-2492 | 24 | 87427-2448 | 24 | # | 87427-2432 | 24 | # | 87427-2292 | 22 | 87427-2248 | 22 | # | 87427-2232 | 22 | # | 87427-2092 | 20 | 87427-2048 | 20 | # | 87427-2032 | 20 | # | 87427-1892 | 18 | 87427-1848 | 18 | # | 87427-1832 | 18 | # | 87427-1692 | 16 | 87427-1648 | 16 | # | 87427-1632 | 16 | # | 87427-1492 | 14 | 87427-1448 | 14 | # | 87427-1432 | 14 | # | 87427-1292 | 12 | 87427-1248 | 12 | # | 87427-1232 | 12 | # | 87427-1092 | 10 | 87427-1048 | 10 | # | 87427-1032 | 10 | # | 87427-0892 | 8 | 87427-0848 | 8 | # | 87427-0832 | 8 | # | 87427-0692 | 6 | 87427-0648 | 6 | # | 36633-0010 | 6 | # | 87427-0492 | 4 | 87427-0448 | 4 | # | 36633-0009 | 4 | # | 87427-0292 | 2 | 87427-0248 | 2 | # | 36633-0008 | 2 | | ENG. NO. | CKT. SIZE | ENG. NO. | CKT. SIZE | ENG. NO. | CKT. SIZE | ENG. NO. | CKT. SIZE | | | | |
| BULK PACKED | | BULK PACKED | | TAPE & REEL PACKED | | BULK PACKED | | | | | | | | | | | | | | | | | | | | | | | | | | | | | | | | | | | | | | | | | | | | | | | | | | | | | | | | | | | | | | | | | | | | | | | | | | | | | | | | | | | | | | | | | | | | | | | | | | | | | | | | | | | | | | | | | | | | | | | | | | | | | | | | | | | | | |
| PLATING=TIN Δ | | PLATING=GOLD Δ | | PLATING=TIN Δ | | PLATING=TIN Δ | | | | | | | | | | | | | | | | | | | | | | | | | | | | | | | | | | | | | | | | | | | | | | | | | | | | | | | | | | | | | | | | | | | | | | | | | | | | | | | | | | | | | | | | | | | | | | | | | | | | | | | | | | | | | | | | | | | | | | | | | | | | | | | | | | | | | |
| COLOR=BLACK | | COLOR=BEIGE | | COLOR=BEIGE | | COLOR=BEIGE | | | | | | | | | | | | | | | | | | | | | | | | | | | | | | | | | | | | | | | | | | | | | | | | | | | | | | | | | | | | | | | | | | | | | | | | | | | | | | | | | | | | | | | | | | | | | | | | | | | | | | | | | | | | | | | | | | | | | | | | | | | | | | | | | | | | | |
| # | 87427-2492 | 24 | 87427-2448 | 24 | # | 87427-2432 | 24 | | | | | | | | | | | | | | | | | | | | | | | | | | | | | | | | | | | | | | | | | | | | | | | | | | | | | | | | | | | | | | | | | | | | | | | | | | | | | | | | | | | | | | | | | | | | | | | | | | | | | | | | | | | | | | | | | | | | | | | | | | | | | | | | | | | | |
| # | 87427-2292 | 22 | 87427-2248 | 22 | # | 87427-2232 | 22 | | | | | | | | | | | | | | | | | | | | | | | | | | | | | | | | | | | | | | | | | | | | | | | | | | | | | | | | | | | | | | | | | | | | | | | | | | | | | | | | | | | | | | | | | | | | | | | | | | | | | | | | | | | | | | | | | | | | | | | | | | | | | | | | | | | | |
| # | 87427-2092 | 20 | 87427-2048 | 20 | # | 87427-2032 | 20 | | | | | | | | | | | | | | | | | | | | | | | | | | | | | | | | | | | | | | | | | | | | | | | | | | | | | | | | | | | | | | | | | | | | | | | | | | | | | | | | | | | | | | | | | | | | | | | | | | | | | | | | | | | | | | | | | | | | | | | | | | | | | | | | | | | | |
| # | 87427-1892 | 18 | 87427-1848 | 18 | # | 87427-1832 | 18 | | | | | | | | | | | | | | | | | | | | | | | | | | | | | | | | | | | | | | | | | | | | | | | | | | | | | | | | | | | | | | | | | | | | | | | | | | | | | | | | | | | | | | | | | | | | | | | | | | | | | | | | | | | | | | | | | | | | | | | | | | | | | | | | | | | | |
| # | 87427-1692 | 16 | 87427-1648 | 16 | # | 87427-1632 | 16 | | | | | | | | | | | | | | | | | | | | | | | | | | | | | | | | | | | | | | | | | | | | | | | | | | | | | | | | | | | | | | | | | | | | | | | | | | | | | | | | | | | | | | | | | | | | | | | | | | | | | | | | | | | | | | | | | | | | | | | | | | | | | | | | | | | | |
| # | 87427-1492 | 14 | 87427-1448 | 14 | # | 87427-1432 | 14 | | | | | | | | | | | | | | | | | | | | | | | | | | | | | | | | | | | | | | | | | | | | | | | | | | | | | | | | | | | | | | | | | | | | | | | | | | | | | | | | | | | | | | | | | | | | | | | | | | | | | | | | | | | | | | | | | | | | | | | | | | | | | | | | | | | | |
| # | 87427-1292 | 12 | 87427-1248 | 12 | # | 87427-1232 | 12 | | | | | | | | | | | | | | | | | | | | | | | | | | | | | | | | | | | | | | | | | | | | | | | | | | | | | | | | | | | | | | | | | | | | | | | | | | | | | | | | | | | | | | | | | | | | | | | | | | | | | | | | | | | | | | | | | | | | | | | | | | | | | | | | | | | | |
| # | 87427-1092 | 10 | 87427-1048 | 10 | # | 87427-1032 | 10 | | | | | | | | | | | | | | | | | | | | | | | | | | | | | | | | | | | | | | | | | | | | | | | | | | | | | | | | | | | | | | | | | | | | | | | | | | | | | | | | | | | | | | | | | | | | | | | | | | | | | | | | | | | | | | | | | | | | | | | | | | | | | | | | | | | | |
| # | 87427-0892 | 8 | 87427-0848 | 8 | # | 87427-0832 | 8 | | | | | | | | | | | | | | | | | | | | | | | | | | | | | | | | | | | | | | | | | | | | | | | | | | | | | | | | | | | | | | | | | | | | | | | | | | | | | | | | | | | | | | | | | | | | | | | | | | | | | | | | | | | | | | | | | | | | | | | | | | | | | | | | | | | | |
| # | 87427-0692 | 6 | 87427-0648 | 6 | # | 36633-0010 | 6 | | | | | | | | | | | | | | | | | | | | | | | | | | | | | | | | | | | | | | | | | | | | | | | | | | | | | | | | | | | | | | | | | | | | | | | | | | | | | | | | | | | | | | | | | | | | | | | | | | | | | | | | | | | | | | | | | | | | | | | | | | | | | | | | | | | | |
| # | 87427-0492 | 4 | 87427-0448 | 4 | # | 36633-0009 | 4 | | | | | | | | | | | | | | | | | | | | | | | | | | | | | | | | | | | | | | | | | | | | | | | | | | | | | | | | | | | | | | | | | | | | | | | | | | | | | | | | | | | | | | | | | | | | | | | | | | | | | | | | | | | | | | | | | | | | | | | | | | | | | | | | | | | | |
| # | 87427-0292 | 2 | 87427-0248 | 2 | # | 36633-0008 | 2 | | | | | | | | | | | | | | | | | | | | | | | | | | | | | | | | | | | | | | | | | | | | | | | | | | | | | | | | | | | | | | | | | | | | | | | | | | | | | | | | | | | | | | | | | | | | | | | | | | | | | | | | | | | | | | | | | | | | | | | | | | | | | | | | | | | | |
| | ENG. NO. | CKT. SIZE | ENG. NO. | CKT. SIZE | ENG. NO. | CKT. SIZE | ENG. NO. | CKT. SIZE | | | | | | | | | | | | | | | | | | | | | | | | | | | | | | | | | | | | | | | | | | | | | | | | | | | | | | | | | | | | | | | | | | | | | | | | | | | | | | | | | | | | | | | | | | | | | | | | | | | | | | | | | | | | | | | | | | | | | | | | | | | | | | | | | | | |
| | <p>SEE SHEET 1</p> <p>EC NO: UCP2013-112</p> <p>DRW:BBEE</p> <p>CHKD:J.BELL</p> <p>APPR:FSMITH</p> <p>2012/09/18</p> <p>2012/09/20</p> <p>2012/09/25</p> | | <p>QUALITY SYMBOLS</p> <p>$\nabla=0$</p> <p>$\nabla=0$</p> <p>$\nabla=0$</p> | | <p>GENERAL TOLERANCES (UNLESS SPECIFIED)</p> <table border="1"> <thead> <tr> <th></th> <th>mm</th> <th>INCH</th> </tr> </thead> <tbody> <tr> <td>4 PLACES</td> <td>\pm---</td> <td>\pm---</td> </tr> <tr> <td>3 PLACES</td> <td>\pm---</td> <td>\pm---</td> </tr> <tr> <td>2 PLACES</td> <td>\pm0.20</td> <td>\pm---</td> </tr> <tr> <td>1 PLACE</td> <td>\pm---</td> <td>\pm---</td> </tr> <tr> <td>0 PLACE</td> <td>\pm---</td> <td>\pm---</td> </tr> </tbody> </table> <p>ANGULAR \pm----</p> <p>DRAFT WHERE APPLICABLE MUST REMAIN WITHIN DIMENSIONS</p> | | | mm | INCH | 4 PLACES | \pm --- | \pm --- | 3 PLACES | \pm --- | \pm --- | 2 PLACES | \pm 0.20 | \pm --- | 1 PLACE | \pm --- | \pm --- | 0 PLACE | \pm --- | \pm --- | <p>DIMENSION STYLE</p> <p>MM ONLY</p> <p>DRAWN BY: SAM.C DATE: 960401</p> <p>CHECKED BY: DATE:</p> <p>APPROVED BY: FSMITH DATE: 2010/10/04</p> <p>MATERIAL NO. SEE CHART</p> <p>SIZE B THIS DRAWING CONTAINS INFORMATION THAT IS PROPRIETARY TO MOLEX INCORPORATED AND SHOULD NOT BE USED WITHOUT WRITTEN PERMISSION</p> | | <p>SCALE: 2:1</p> <p>DESIGN UNITS: METRIC</p> <p>THIRD ANGLE PROJECTION</p> <p>TITLE: 4.2MM W-T-B VERT. HEADER W/O FLANGES MINI-FIT JR</p> <p>molex</p> <p>DOCUMENT NO. SD-87427-***</p> <p>SHEET NO. 2 OF 2</p> | | | | | | | | | | | | | | | | | | | | | | | | | | | | | | | | | | | | | | | | | | | | | | | | | | | | | | | | | | | | | | | | | | | | | | | | | | | | | | | | | | | | | | | | | | | | | | | | | | | | | | | | | | | | | | | | |
| | mm | INCH | | | | | | | | | | | | | | | | | | | | | | | | | | | | | | | | | | | | | | | | | | | | | | | | | | | | | | | | | | | | | | | | | | | | | | | | | | | | | | | | | | | | | | | | | | | | | | | | | | | | | | | | | | | | | | | | | | | | | | | | | | | | | | | | | | | | | | | | | |
| 4 PLACES | \pm --- | \pm --- | | | | | | | | | | | | | | | | | | | | | | | | | | | | | | | | | | | | | | | | | | | | | | | | | | | | | | | | | | | | | | | | | | | | | | | | | | | | | | | | | | | | | | | | | | | | | | | | | | | | | | | | | | | | | | | | | | | | | | | | | | | | | | | | | | | | | | | | | |
| 3 PLACES | \pm --- | \pm --- | | | | | | | | | | | | | | | | | | | | | | | | | | | | | | | | | | | | | | | | | | | | | | | | | | | | | | | | | | | | | | | | | | | | | | | | | | | | | | | | | | | | | | | | | | | | | | | | | | | | | | | | | | | | | | | | | | | | | | | | | | | | | | | | | | | | | | | | | |
| 2 PLACES | \pm 0.20 | \pm --- | | | | | | | | | | | | | | | | | | | | | | | | | | | | | | | | | | | | | | | | | | | | | | | | | | | | | | | | | | | | | | | | | | | | | | | | | | | | | | | | | | | | | | | | | | | | | | | | | | | | | | | | | | | | | | | | | | | | | | | | | | | | | | | | | | | | | | | | | |
| 1 PLACE | \pm --- | \pm --- | | | | | | | | | | | | | | | | | | | | | | | | | | | | | | | | | | | | | | | | | | | | | | | | | | | | | | | | | | | | | | | | | | | | | | | | | | | | | | | | | | | | | | | | | | | | | | | | | | | | | | | | | | | | | | | | | | | | | | | | | | | | | | | | | | | | | | | | | |
| 0 PLACE | \pm --- | \pm --- | | | | | | | | | | | | | | | | | | | | | | | | | | | | | | | | | | | | | | | | | | | | | | | | | | | | | | | | | | | | | | | | | | | | | | | | | | | | | | | | | | | | | | | | | | | | | | | | | | | | | | | | | | | | | | | | | | | | | | | | | | | | | | | | | | | | | | | | | |
| | <p>ib_frame_B_P_AM_T</p> <p>Rev. G 2012/01/11</p> | | | | | | | | | | | | | | | | | | | | | | | | | | | | | | | | | | | | | | | | | | | | | | | | | | | | | | | | | | | | | | | | | | | | | | | | | | | | | | | | | | | | | | | | | | | | | | | | | | | | | | | | | | | | | | | | | | | | | | | | | | | | | | | | | | | | | | | | | | |