

Excellent Integrated System Limited

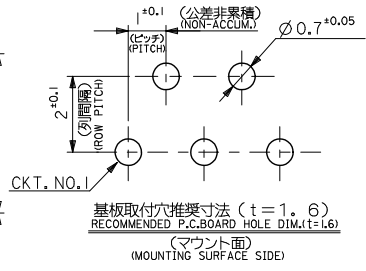
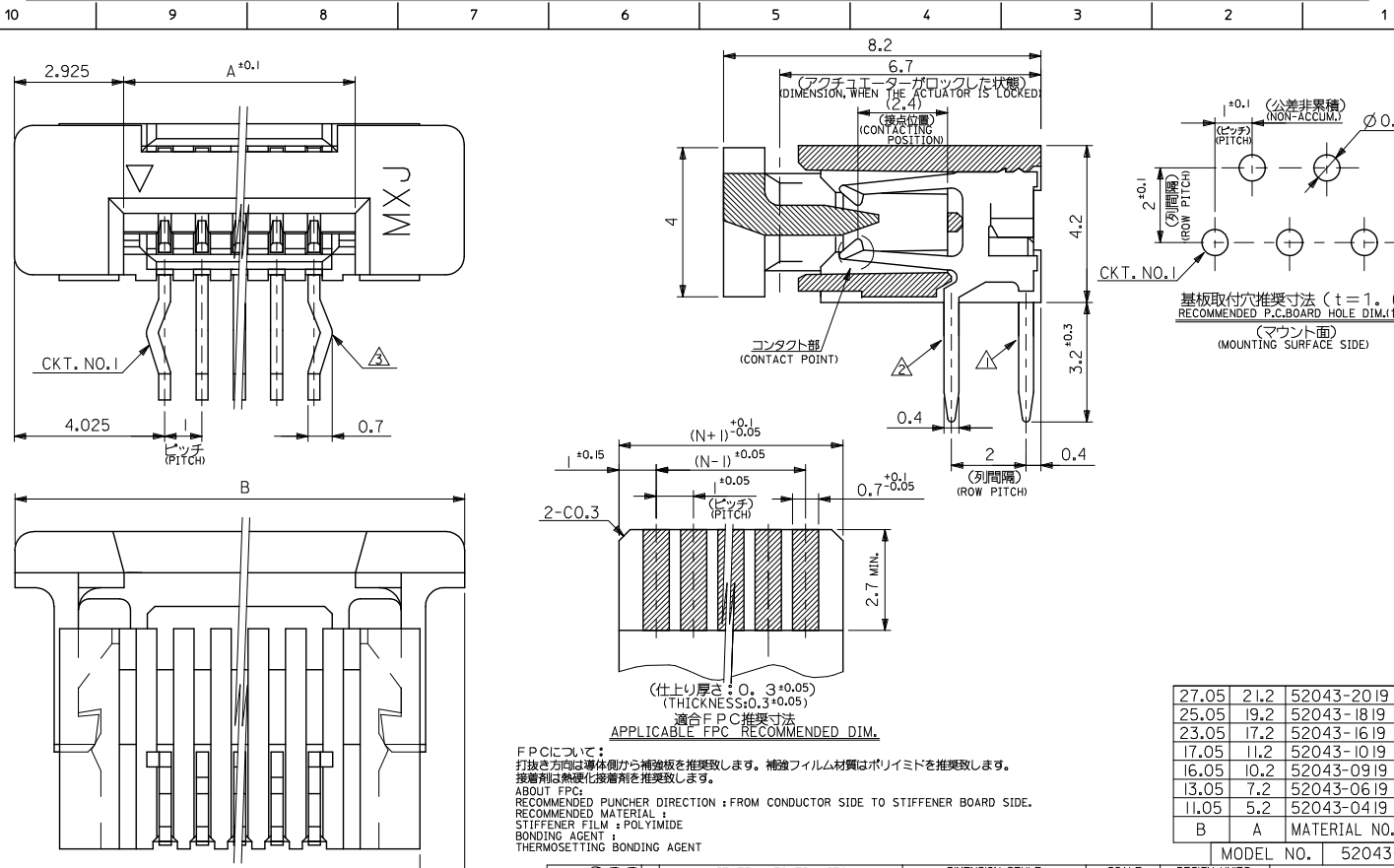
Stocking Distributor

Click to view price, real time Inventory, Delivery & Lifecycle Information:

[Molex Connector Corporation](#)
[0520431619](#)

For any questions, you can email us directly:

sales@integrated-circuit.com



FPCについて:
打抜き方向は導体側から補強板を推奨致します。補強フィルム材質はポリイミドを推奨致します。
接着剤は熱硬化接着剤を推奨致します。

ABOUT FPC:
RECOMMENDED PUNCHER DIRECTION : FROM CONDUCTOR SIDE TO STIFFENER BOARD SIDE.
RECOMMENDED MATERIAL :
STIFFENER FILM : POLYIMIDE
BONDING AGENT :
THERMOSETTING BONDING AGENT

27.05	21.2	52043-2019	20
25.05	19.2	52043-1819	18
23.05	17.2	52043-1619	16
17.05	11.2	52043-1019	10
16.05	10.2	52043-0919	9
13.05	7.2	52043-0619	6
11.05	5.2	52043-0419	4
B	A	MATERIAL NO.	極少数 CKT.
MODEL NO.			52043-***19

注記:
NOTES:
△ CKT. NO. 1を基準に偶数番目のソルダータール。
EVEN NUMBER SOLDER TAIL.
△ CKT. NO. 1を基準に奇数番目のソルダータール。
ODD NUMBER SOLDER TAIL.
△ ソルダータールキックは、△のソルダータールの両端部に設ける。
KICK TO BE APPLIED FOR THE BOTH END OF ODD NUMBER SOLDER TAIL

4. 材料: ターミナル:リン青銅、ニッケル下地、銅ヒスマズメッキ (t=0.32)
MATERIAL: TERMINAL: PHOSPHOR BRONZE, TIN-BISMUTH OVER NICKEL PLATING (t=0.32)
ハウジング: 66ナイロン、UL94V-0
HOUSING: 66NYLON, UL94V-0
アクチュエーター: ポリエステル、UL94V-0
ACTUATOR: POLYESTER, UL94V-0

5. 本製品は 52043-***10 の鉛フリー品である。
THIS PRODUCT IS LEAD FREE OF 52043-***10.

REVISED EC NO. J2016-1317 DRAWN: SHIBATA CHKD: Y010 APPR: Y010 REV	GENERAL TOLERANCES (UNLESS SPECIFIED)			DIMENSION STYLE MM ONLY		SCALE 10:1	DESIGN UNITS METRIC	THIRD ANGLE PROJECTION	
	0.25	UNDER	±0.03	DRAWN BY	DATE	TITLE 1.0 FPC CONN. Z.I.F R/A			
	0.25	OVER	±0.05	YWADA	2004/05/19	-LEAD FREE-			
	0.5	OVER	±0.1	CHECKED BY	DATE	molex			
1.0	OVER	±0.2	MSASAO	2004/05/19	DOCUMENT NO. SD-52043-002				
10	OVER	±0.25	APPROVED BY		DATE	SHEET NO. 1 OF 1			
30	OVER	±0.3	MATERIAL NO.		DATE	THIS DRAWING CONTAINS INFORMATION THAT IS PROPRIETARY TO MOLEX ELECTRONIC TECHNOLOGIES, LLC AND SHOULD NOT BE USED WITHOUT WRITTEN PERMISSION			
ANGULAR ±3°			SEE TABLE		SIZE A3				
DRAFT WHERE APPLICABLE MUST REMAIN WITHIN DIMENSIONS									