

## Excellent Integrated System Limited

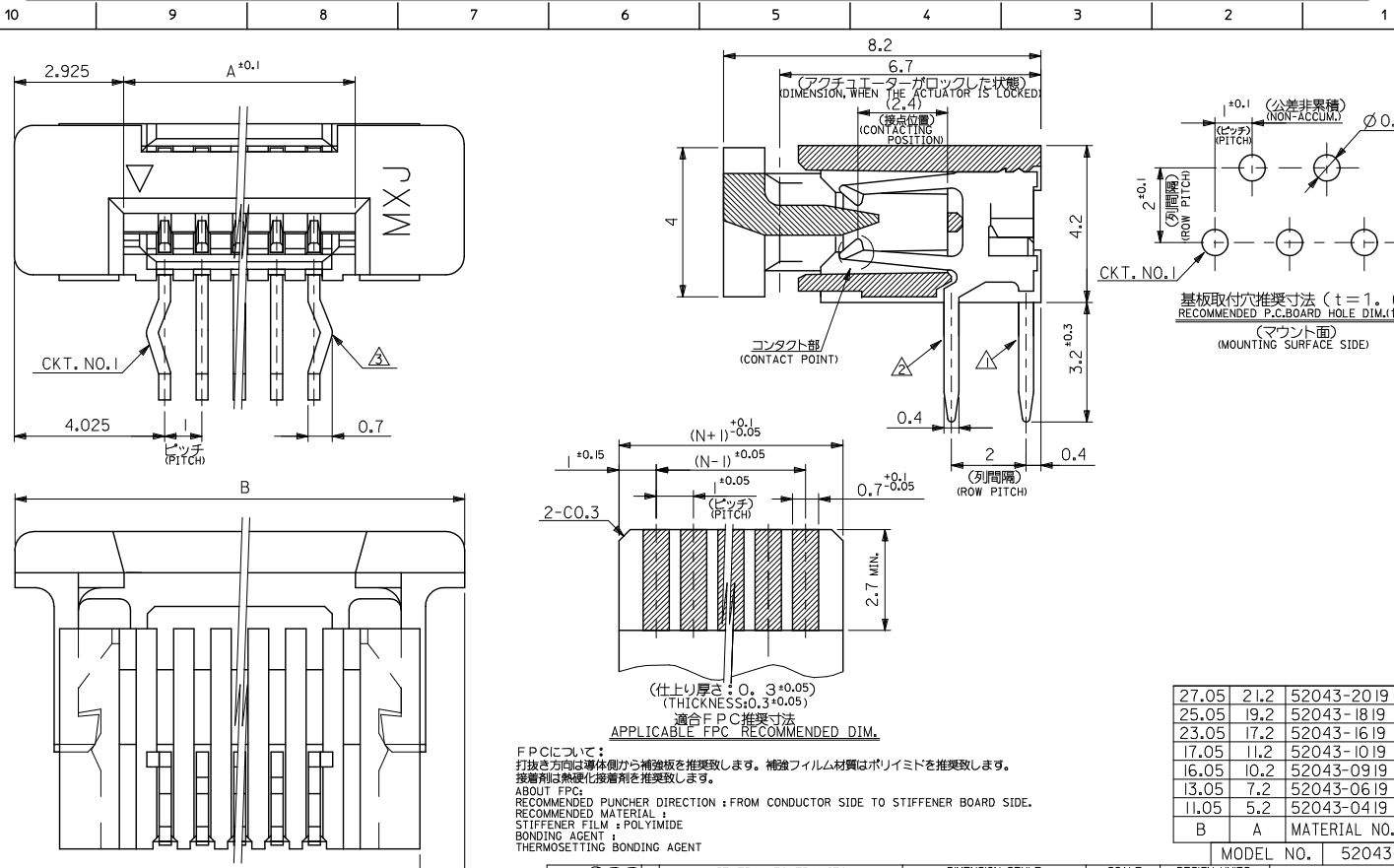
Stocking Distributor

Click to view price, real time Inventory, Delivery & Lifecycle Information:

[Molex Connector Corporation](#)  
[0520432019](#)

For any questions, you can email us directly:

[sales@integrated-circuit.com](mailto:sales@integrated-circuit.com)



FPCについて:  
打抜き方向は導体側から補強板を推奨致します。補強フィルム材質はポリイミドを推奨致します。  
接着剤は熱硬化接着剤を推奨致します。

ABOUT FPC:  
RECOMMENDED PUNCHER DIRECTION : FROM CONDUCTOR SIDE TO STIFFENER BOARD SIDE.  
RECOMMENDED MATERIAL :  
STIFFENER FILM : POLYIMIDE  
BONDING AGENT :  
THERMOSETTING BONDING AGENT

27.05	21.2	52043-2019	20
25.05	19.2	52043-1819	18
23.05	17.2	52043-1619	16
17.05	11.2	52043-1019	10
16.05	10.2	52043-0919	9
13.05	7.2	52043-0619	6
11.05	5.2	52043-0419	4

注記:  
NOTES:  
△ CK T. NO. 1を基準に偶数番目のソルダーテール。  
EVEN NUMBER SOLDER TAIL.  
△ CK T. NO. 1を基準に奇数番目のソルダーテール。  
ODD NUMBER SOLDER TAIL.  
△ ソルダーテールキックは、△のソルダーテールの両端部に設ける。  
KICK TO BE APPLIED FOR THE BOTH END OF ODD NUMBER SOLDER TAIL

4. 材料: ターミナル:リン青銅、ニッケル下地、銅ヒマスメッキ (t=0.32)  
MATERIAL: TERMINAL:PHOSPHOR BRONZE, TIN-BISMUTH OVER NICKEL PLATING (t=0.32)  
ハウジング: 66ナイロン、UL94V-0  
ハウジング: 66NYLON,UL94V-0  
アクチュエーター: ポリイステル、UL94V-0  
ACTUATOR: POLYESTER,UL94V-0

5. 本製品は 52043-\*\*\*10 の鉛フリー品である。  
THIS PRODUCT IS LEAD FREE OF 52043-\*\*\*10.

REVISED EC NO. J2016-1317 DRAWN: SHIBATA CHKD: Y010 APPR: Y010 REV DESCRIPTION 2016/06/29 2016/06/30 2016/06/30	GENERAL TOLERANCES (UNLESS SPECIFIED)		DIMENSION STYLE MM ONLY		SCALE 10:1	DESIGN UNITS METRIC	MODEL NO. 52043-***19	THIRD ANGLE PROJECTION
	0.25 UNDER	UNDER	±0.03	DRAWN BY YWADA	DATE 2004/05/19	TITLE 1.0 FPC CONN. Z.I.F R/A		
	0.25 OVER	0.5 UNDER	±0.05	CHECKED BY MSASAO	DATE 2004/05/19	-LEAD FREE-		
	0.5 OVER	1.0 UNDER	±0.1	APPROVED BY	DATE	<b>molex</b>		
1.0 OVER	10 UNDER	±0.2	MATERIAL NO.	DOCUMENT NO.	SD-52043-002			
10 OVER	30 UNDER	±0.25	ANGULAR	±3 °	SHEET NO. 1 OF 1			
30 OVER		±0.3	SEE TABLE					
DRAFT WHERE APPLICABLE MUST REMAIN WITHIN DIMENSIONS						THIS DRAWING CONTAINS INFORMATION THAT IS PROPRIETARY TO MOLEX ELECTRONIC TECHNOLOGIES, LLC AND SHOULD NOT BE USED WITHOUT WRITTEN PERMISSION		