



Distributor of Molex Connector Corporation: Excellent Integrated System Limited
Datasheet of 0190070053 - Connector Quick Connect Receptacle 10-12 AWG 0.250"
(6.35mm) Crimp

Contact us: sales@integrated-circuit.com Website: www.integrated-circuit.com

Excellent Integrated System Limited

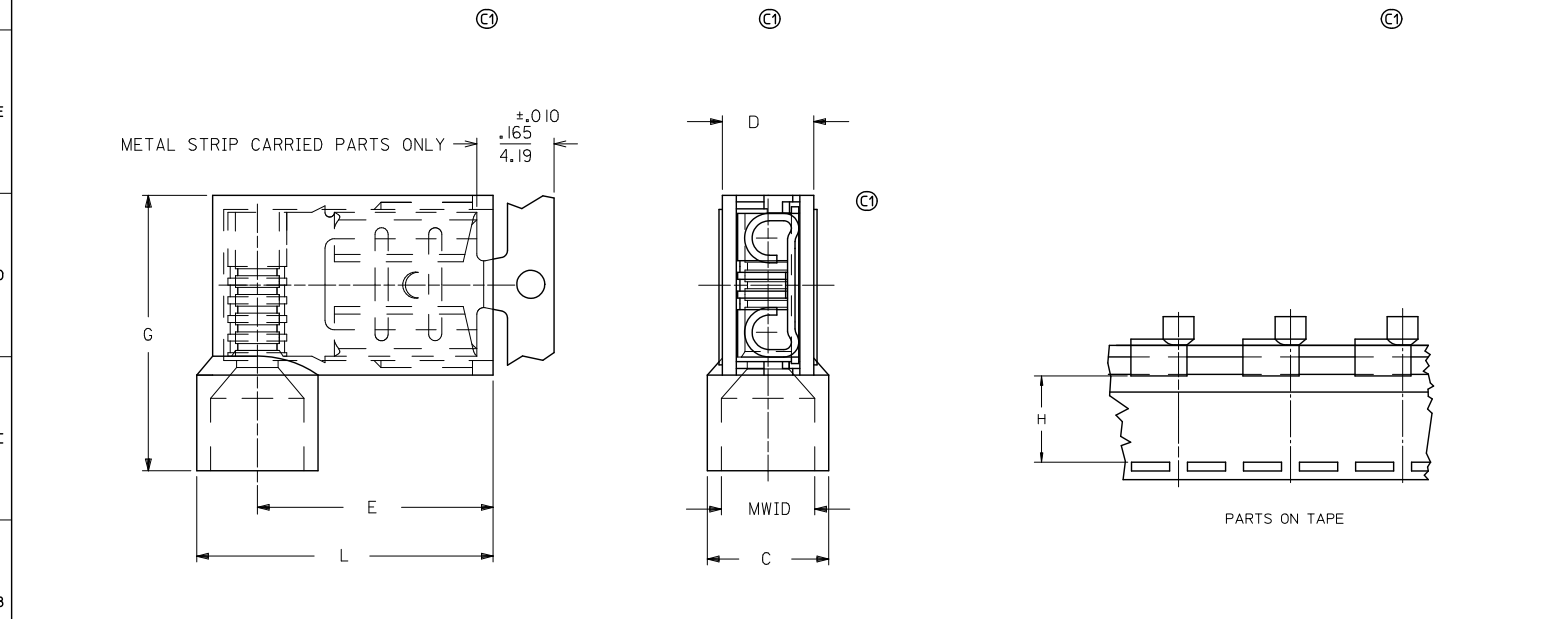
Stocking Distributor

Click to view price, real time Inventory, Delivery & Lifecycle Information:

[Molex Connector Corporation](#)
[0190070053](#)

For any questions, you can email us directly:
sales@integrated-circuit.com

10		9		8		7		6		5		4		3		2		1	
LOOSE PIECE		METAL STRIP CARRIED		MYLAR TAPE CARRIED		FEATURES						DIMENSIONS							
MATERIAL NUMBER	ENGINEERING NUMBER	MATERIAL NUMBER	ENGINEERING NUMBER	MATERIAL NUMBER	ENGINEERING NUMBER	AWG	COLOR	FITS TAB SIZE	MWID	L \pm .015 / 0.38	G \pm .015 / 0.38	E \pm .015 / 0.38	C \pm .015 / 0.38	D \pm .015 / 0.38	H \pm .02 / 0.5				
190070001	AA-2220	190070008	AA-2220Z	190070004	AA-2220T	22-18	RED	.250x.032/6.35x0.81	.176/4.47	.630/16.00	.585/14.86	.512/13.00	.236/5.99	.197/5.00	.93/23.6				
190070005	AA-2220X	190070007	AA-2220XZ	190070006	AA-2220XT	22-18	RED	.250x.032/6.35x0.81	.240/6.10	.662/16.81	.625/15.88	.512/13.00	.300/7.26	.197/5.00	.93/23.6				
190070021	BB-2221	190070028	BB-2221Z	190070024	BB-2221T	16-14	BLUE	.250x.032/6.35x0.81	.200/5.08	.630/16.00	.585/14.86	.500/12.70	.260/6.60	.197/5.00	.93/23.6				
190070025	BB-2221X	190070027	BB-2221XZ	190070026	BB-2221XT	16-14	BLUE	.250x.032/6.35x0.81	.265/6.73	.670/17.02	.625/15.88	.500/12.70	.325/8.26	.197/5.00	.93/23.6				
190070040	C-2211	190070041	C-2211Z	190070053	C-2211T	12-10	YELLOW	.250x.032/6.35x0.81	.260/6.60	.667/16.93	.677/17.20	.511/12.98	.311/7.90	.246/6.25	.97/24.6				



- NOTES:
 1. MWID = MAX. WIRE INSULATION DIA.
 2. ALL DIMENSIONS = INCHES/MM
 3. MATERIAL:
 HOUSING: NYLON
 TERMINAL: TIN PLATED BRASS
 4. ASSEMBLY IS ROHS COMPLIANT.

ADD TAPE PARTS EC NO: WNA2011-0074 DRAWN BY: RCM CHKD: JACNEIL APPR: JACNEIL 20/08/10 20/08/10 20/09/23	QUALITY SYMBOLS ▽=0 ▽=0 ▽=0	GENERAL TOLERANCES (UNLESS SPECIFIED)		DIMENSION STYLE IN/MM		SCALE 5:1	DESIGN UNITS INCH	<input checked="" type="checkbox"/> THIRD ANGLE PROJECTION	
		4 PLACES	± .005	± .005	DRAWN BY: RCM DATE: 1989/07/26	TITLE FLAG QUICK DISCONNECT, FULLY INSULATED, .250 X .032 TAB SIZE			
		3 PLACES	± .013	± .01	CHECKED BY: JM DATE: 1989/07/26	MATERIAL NO. SEE CHART			
		2 PLACES	± .025	± .01	APPROVED BY: FP DATE: 1989/07/26	DOCUMENT NO. SD-19007-004			
1 PLACE ± 0.25 ± .01 ANGULAR ± 1/2°		DRAFT WHERE APPLICABLE MUST REMAIN WITHIN DIMENSIONS		MATERIAL NO. SEE CHART		SHEET NO. 1 OF 1		THIS DRAWING CONTAINS INFORMATION THAT IS PROPRIETARY TO MOLEX INCORPORATED AND SHOULD NOT BE USED WITHOUT WRITTEN PERMISSION	