

Excellent Integrated System Limited

Stocking Distributor

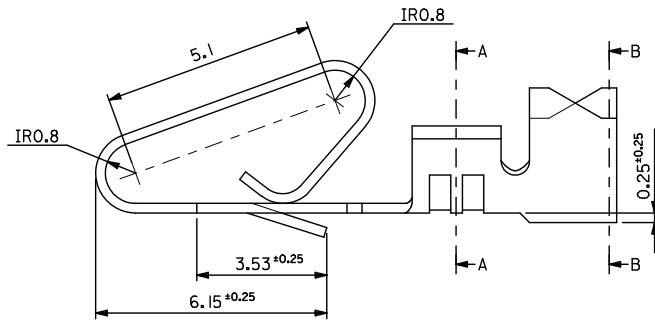
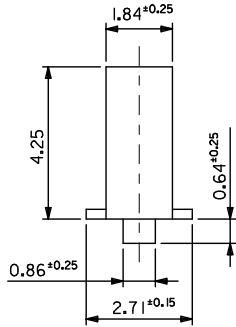
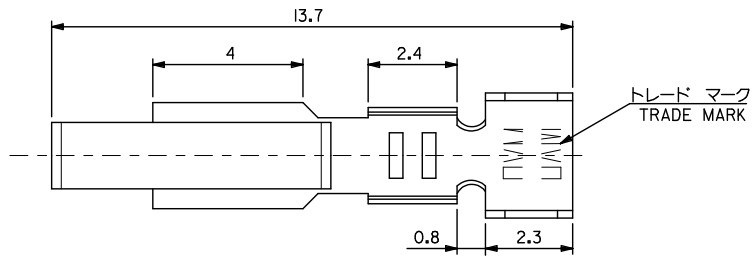
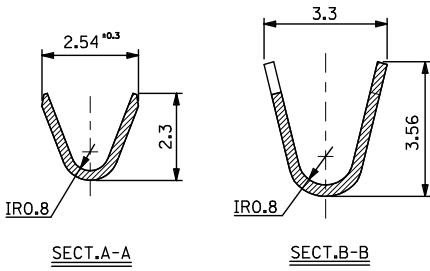
Click to view price, real time Inventory, Delivery & Lifecycle Information:

[Molex Connector Corporation](#)
[0039000286](#)

For any questions, you can email us directly:

sales@integrated-circuit.com

10 9 8 7 6 5 4 3 2 1



| | | | |
|-----------------------|------------|---------|-------------|
| OVERALL TIN 0.88µmin | 39000342 | 2478TL | LOOSE |
| OVERAL COPPER 0.5µmin | 39000286 | 2478T | CHAIN |
| ニッケル下地 2 µmMIN. | 39-00-0344 | 2478GL | バラ状 LOOSE |
| 金 0.35 µmMIN. | | | |
| GOLD 0.35 µmMIN. OVER | 39-00-0343 | 2478G | チェーン状 CHAIN |
| NICKEL 2 µmMIN. | | | 形状 FORM |
| メッキ PLATING | EDP NO. | ENG.NO. | |

注記 NOTES :
1. 一般公差 : ±0.4
GENERAL TOLERANCES: ±0.4

MATERIAL
BRASS t = 0.254

| | |
|-------------------|------------|
| ENTER DESCRIPTION | 2010/06/23 |
| EC NO: 12010-0695 | 1996/01/30 |
| DRWNSION | 2010/07/28 |
| CHK:HIRAMOT | |
| APPR:KPRASAD | |
| REV | |

| | |
|-----------------|--|
| QUALITY SYMBOLS | GENERAL TOLERANCES (UNLESS SPECIFIED) |
| ▽=0 | mm INCH |
| ▽=0 | 4 PLACES ±0.2 ±--- |
| | 3 PLACES ±0.25 ±--- |
| | 2 PLACES ±0.3 ±--- |
| | 1 PLACE ±0.01 ±--- |
| | ANGULAR ± 3° |
| | DRAFT WHERE APPLICABLE MUST REMAIN WITHIN DIMENSIONS |

| | | | |
|---|--------------|--------------------|------------------------|
| DIMENSION STYLE | SCALE | DESIGN UNITS | THIRD ANGLE PROJECTION |
| MM ONLY | 10:1 | METRIC | ◎ □ |
| DRAWN BY | DATE | TITLE | |
| HASEGAW | 1993/04/23 | STD KK CRIMP REC | |
| CHECKED BY | DATE | | |
| HIRAMOT | 1996/01/30 | | |
| APPROVED BY | DATE | | |
| MFUKUSHI | 1996/01/30 | | |
| MATERIAL NO. | DOCUMENT NO. | MOLEX INCORPORATED | |
| SEE CHART | SD-2478* | SHEET NO. 1 OF 1 | |
| THIS DRAWING CONTAINS INFORMATION THAT IS PROPRIETARY TO MOLEX INCORPORATED AND SHOULD NOT BE USED WITHOUT WRITTEN PERMISSION | | | |

9 8 7 6 5 4 3 2 1