

Excellent Integrated System Limited

Stocking Distributor

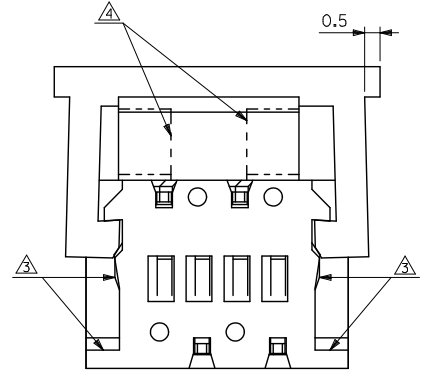
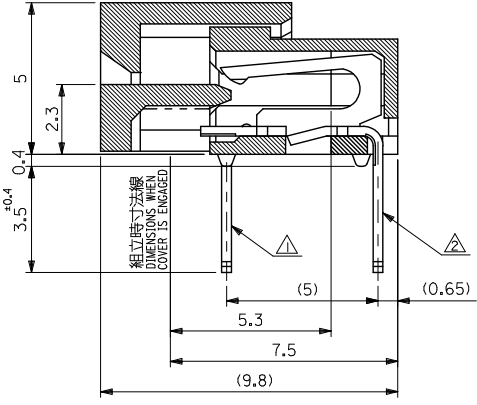
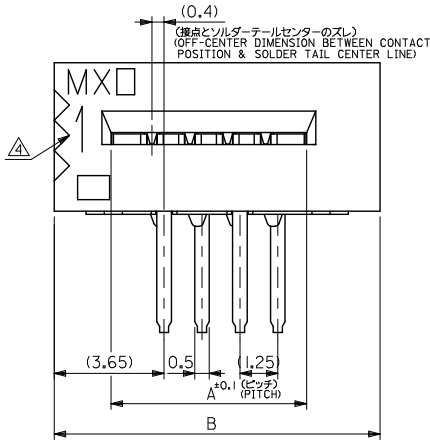
Click to view price, real time Inventory, Delivery & Lifecycle Information:

[Molex Connector Corporation](#)
[0039532164](#)

For any questions, you can email us directly:

sales@integrated-circuit.com

10 9 8 7 6 5 4 3 2 1



- 注記 NOTES**
- △ MX J側を基準に奇数番目の極におけるソルダーテール。SOLDER TAIL OF ODD CKTS, MXJ MARK AS BASIC.
 - △ MX J側を基準に偶数番目の極におけるソルダーテール。SOLDER TAIL OF EVEN CKTS, MXJ MARK AS BASIC.
 - △ 3極~10極に適用。APPLY FOR 3-10 CKTS.
 - △ 3極~19極に適用。APPLY FOR 3-19 CKTS.
 - 5. () 内寸法は、参考値。
() DIMENSION IS FOR REFERENCE.
 - 6. ソルダーテールは、先端が取付推奨穴にガイドされること。SOLDER TAILS MAY BE CHECKED BY INSERTION FOR RECOMMENDED PCB BOARD HOLES.
 - 7. 本製品は5597-NAPBの鉛フリー品である。THIS PRODUCT IS LEAD FREE OF 5597-NAPB.

| | | | | |
|-------|-------|------------|--------------|------------|
| 48.25 | 43.95 | 39-53-2344 | 5597-34APB7F | 34 |
| 45.75 | 41.45 | -2324 | -32APB7F | 32 |
| 44.50 | 40.20 | -2314 | -31APB7F | 31 |
| 43.25 | 38.95 | -2304 | -30APB7F | 30 |
| 42.00 | 37.70 | -2294 | -29APB7F | 29 |
| 40.75 | 36.45 | -2284 | -28APB7F | 28 |
| 39.50 | 35.20 | -2274 | -27APB7F | 27 |
| 38.25 | 33.95 | -2264 | -26APB7F | 26 |
| 37.00 | 32.70 | -2254 | -25APB7F | 25 |
| 35.75 | 31.45 | -2244 | -24APB7F | 24 |
| 34.50 | 30.20 | -2234 | -23APB7F | 23 |
| 33.25 | 28.95 | -2224 | -22APB7F | 22 |
| 32.00 | 27.70 | -2214 | -21APB7F | 21 |
| 30.75 | 26.45 | -2204 | -20APB7F | 20 |
| 29.50 | 25.20 | -2194 | -19APB7F | 19 |
| 28.25 | 23.95 | -2184 | -18APB7F | 18 |
| 27.00 | 22.70 | -2174 | -17APB7F | 17 |
| 25.75 | 21.45 | -2164 | -16APB7F | 16 |
| 24.50 | 20.20 | -2154 | -15APB7F | 15 |
| 23.25 | 18.95 | -2144 | -14APB7F | 14 |
| 22.00 | 17.70 | -2134 | -13APB7F | 13 |
| 20.75 | 16.45 | -2124 | -12APB7F | 12 |
| 19.50 | 15.20 | -2114 | -11APB7F | 11 |
| 18.25 | 13.95 | -2104 | -10APB7F | 10 |
| 17.00 | 12.70 | -2094 | -09APB7F | 9 |
| 15.75 | 11.45 | -2084 | -08APB7F | 8 |
| 14.50 | 10.20 | -2074 | -07APB7F | 7 |
| 13.25 | 8.95 | -2064 | -06APB7F | 6 |
| 12.00 | 7.70 | -2054 | -05APB7F | 5 |
| 10.75 | 6.45 | -2044 | -04APB7F | 4 |
| 9.50 | 5.20 | 39-53-2034 | 5597-03APB7F | 3 |
| B | A | EDP NO. | ENG NO. | 極数 CKT. |

材料 MATERIAL
HOUSING, ACTUATOR: PBTP-UL94V-0
TERMINAL: PHOSPHOR-BRONZE
THK: 0.31
仕上り FINISH: TIN-BISMUTH;
10 MICROMETER MINIMUM
OVER NICKEL PLATING;
10 MICROMETER MINIMUM
適用電線範囲 WIRE RANGE: #
被覆外径 INS. RANGE: #

REVISED
EC NO. J2016-0714
DRAWN: MI ZUNO02 2016/01/12
CHKD: TAKAHASHI 2016/01/12
APPR: IKUSIHARA01 2016/01/20

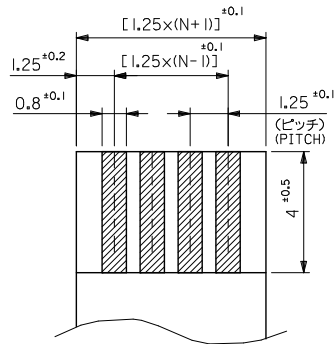
| GENERAL TOLERANCES (UNLESS SPECIFIED) | | |
|---------------------------------------|-----------|-------|
| 0.25 UNDER | UNDER | ±0.03 |
| 0.25 OVER | 0.5 UNDER | ±0.05 |
| 0.5 OVER | 1.0 UNDER | ±0.1 |
| 1.0 OVER | 10 UNDER | ±0.2 |
| 10 OVER | 30 UNDER | ±0.25 |
| 30 OVER | | ±0.3 |
| ANGULAR ±3° | | |

DIMENSION STYLE
MM ONLY
SCALE ---
DESIGN UNITS METRIC
THIRD ANGLE PROJECTION
DRAWN BY M. NAGATA DATE '04/05/10
CHECKED BY K. TOJO DATE '04/05/10
APPROVED BY M. SASAO DATE '04/05/10
MATERIAL NO.
SEE CHART

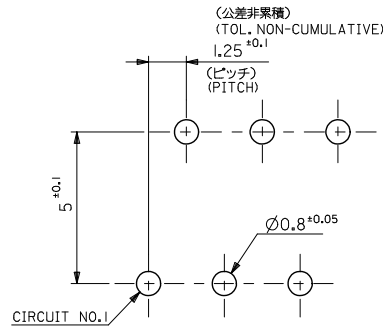
MODEL NO. 5597-NAPB7F
1.25 FPC CONNECTOR
ASSY ZIF
-LEAD FREE-
molex
DOCUMENT NO. SD-5597-011
SHEET NO. 1 OF 2

9 8 7 6 5 4 3 2 1

10 9 8 7 6 5 4 3 2 1



適合 FPC/FFC 推奨寸法
RECOMMENDED FPC/FFC
厚さ THK : 0.3 ± 0.05



基板取付穴推奨寸法 (t=1.6)
RECOMMENDED P.C. BOARD
HOLE DIMENSION

FPC/FFCについて:

打抜き方向は導体側から補強板側を推奨いたします。
導体側については軟銅箔35マイクロメートルまたは50マイクロメートルを推奨いたします。
ABOUT FPC/FFC
RECOMMENDED PUNCHER DIRECTION : FROM CONDUCTOR SIDE TO STIFFENER FILM SIDE.
RECOMMENDED CONDUCTOR SPEC :
THICKNESS OF SOFT COPPER FOIL : 35 MICROMETER OR 50 MICROMETER.

FPCについて:

補強フィルム材質はポリアミドを推奨します。
接着剤は熱硬化接着剤を推奨します。
ABOUT FPC
RECOMMENDED MATERIAL :
STIFFENER FILM : POLYIMIDE
BONDING AGENT : THERMOSETTING BONDING AGENT

MODEL NO. 5597-NAPB7F

| GENERAL TOLERANCES (UNLESS SPECIFIED) | | | | DIMENSION STYLE | | SCALE | DESIGN UNITS | THIRD ANGLE PROJECTION | | |
|--|-------|-------|--------|-----------------|---|--------------------|--------------|------------------------|-----------|--------|
| | | | | MM ONLY | | --- | METRIC | | | |
| 0.25 | UNDER | UNDER | ± 0.03 | DRAWN BY | DATE | TITLE | | | | |
| 0.25 | OVER | 0.5 | UNDER | M. NAGATA | '04/05/10 | 1.25 FPC CONNECTOR | | | | |
| 0.5 | OVER | 1.0 | UNDER | CHECKED BY | DATE | ASSY ZIF | | | | |
| 1.0 | OVER | 10 | UNDER | K. TOJO | '04/05/10 | -LEAD FREE- | | | | |
| 10 | OVER | 30 | UNDER | APPROVED BY | DATE | | | | | |
| 30 | OVER | | ± 0.3 | M. SASAO | '04/05/10 | | | | | |
| ANGULAR ±3 ° | | | | MATERIAL NO. | | DOCUMENT NO. | SD-5597-011 | | SHEET NO. | |
| DRAFT WHERE APPLICABLE MUST REMAIN WITHIN DIMENSIONS | | | | SIZE | THIS DRAWING CONTAINS INFORMATION THAT IS PROPRIETARY TO MOLEX ELECTRONIC TECHNOLOGIES, LLC AND SHOULD NOT BE USED WITHOUT WRITTEN PERMISSION | | | | | 2 OF 2 |

9 8 7 6 5 4 3 2 1