

## Excellent Integrated System Limited

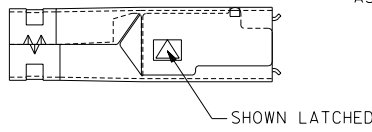
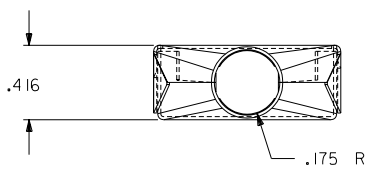
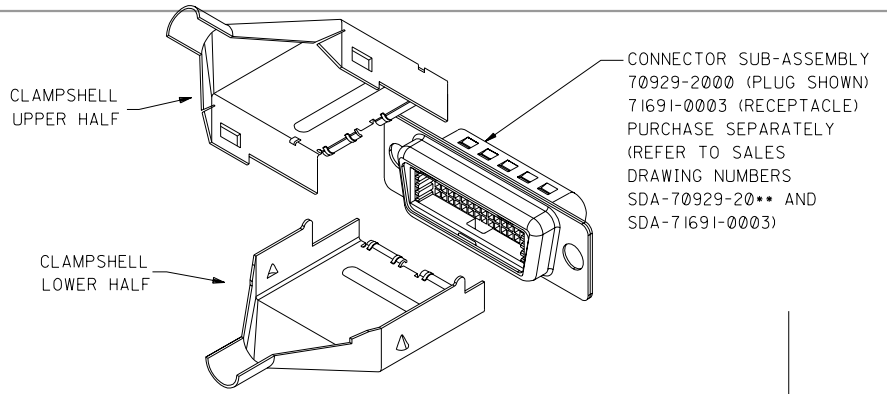
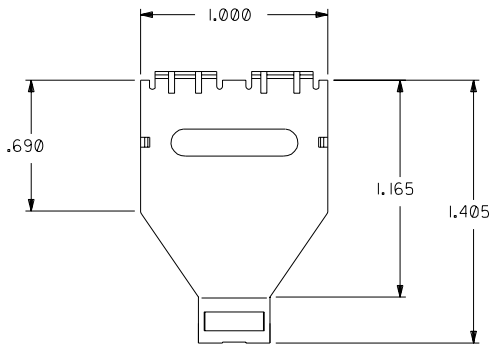
Stocking Distributor

Click to view price, real time Inventory, Delivery & Lifecycle Information:

[Molex Connector Corporation](#)  
[0712452000](#)

For any questions, you can email us directly:

[sales@integrated-circuit.com](mailto:sales@integrated-circuit.com)



VIEWS SHOW CLAMPHELLS ASSEMBLED  
(SEE NOTE #2)

**NOTES:**

1. PLATING: 100 MICROINCHES MINIMUM BRIGHT NICKEL OVER COPPER FLASH (OPTIONAL).
2. CLAMP SHELLS TO BE PACKAGED PER PK-71245-001.
3. REFER TO APPLICATION SPECIFICATIONS AS-71691-9999 AND PS-70929.

**NOTE FOR LEAD FREE CONVERSION:**

THE PRIMARY SHIPPING CARTON WILL BE LABELED "COMPLIANT TO ROHS DIRECTIVE 2002/95/EC AND ELV ANNEX II OF DIRECTIVE 2000/53/EC". CARTONS WITHOUT THIS LABEL MAY CONTAIN PRODUCT WITH LEAD.

B	LEADFREE ECN# UCP2004-1998 DMORGAN 04/04/21
A3	ADDED PK SPEC. UDT2000-0654 SCHMIDGA 00/01/12
A2	ADDED GUSSETS PER ECN UB-0502 SCHMIDG 97/09/22
A1	ADDED CONN. NO. PER ECN UB-0322 DRS 09/06/95
A	FIRST RELEASE PER ECN U3-1702 MOS 11.15.93

MFG.	SH.	REV.	LTR.	REVISIONS
------	-----	------	------	-----------

DIMENSIONS SHOWN (METRIC) INCH		UNLESS OTHERWISE SPECIFIED TOLERANCES: ANGULAR ± 1/2°		REVISIONS	
3 PLACE ± .015		METRIC		TITLE	
2 PLACE ±		1 PLACE --- ±		CLAMPHELL KIT	
1 PLACE --- ±		DRAFT WHERE APPLICABLE MUST REMAIN WITHIN DIMENSIONS		.050" Q 60 CKT LFH I/O	
MOX		MOLEX INCORPORATED		SHEET NO. DATE	
LITSEJLL		68532 U.S.A.		1 OF 1 09/03/93	
PART NO.		DRAWG. NO.		DIV. SIZE	
71245-2000		SDMS-71245-2000		CD B	
FILE NAME		THIS DRAWING CONTAINS INFORMATION THAT IS PROPRIETARY TO MOLEX INC. AND SHOULD NOT BE USED WITHOUT WRITTEN PERMISSION.		NO P.S.1	
712451 DGN					