

Excellent Integrated System Limited

Stocking Distributor

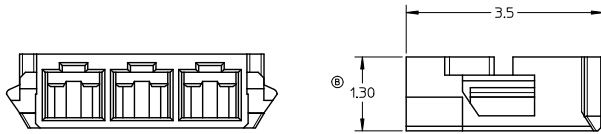
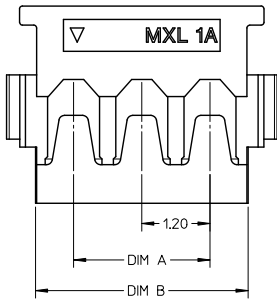
Click to view price, real time Inventory, Delivery & Lifecycle Information:

[Molex Connector Corporation](#)
[0781720003](#)

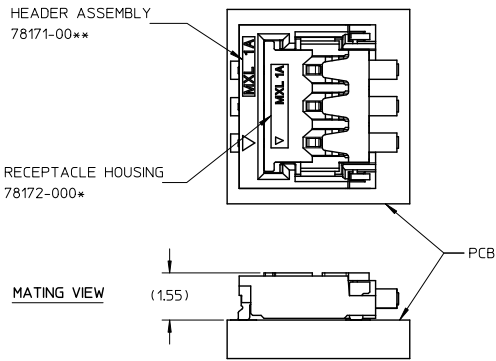
For any questions, you can email us directly:

sales@integrated-circuit.com

CKT SIZE	PART NUMBER	DIM A	DIM B
2	78172-0002	1.2	2.6
3	78172-0003	2.4	3.8
4	78172-0004	3.6	5.0
5	78172-0005	4.8	6.2



- NOTES:
 1. MATERIALS:
 HOUSING: LCP, UL94V-0, COLOUR : BLACK
 © 2. PRODUCT SPECIFICATION: PS-78171-010
 3. ASSEMBLE WITH CRIMP TERMINAL PART NUMBER 78172-0410 (REEL FORM)
 4. MATES WITH MOLEX PART NUMBER 78171-00**
 5. 3 CIRCUITS IS SHOWN FOR ILLUSTRATION PURPOSE ONLY



REVISED EC NO: J2011-07-16 DRAWN: C/LAM CHKD: NUKITA APPR: NUKITA 2010/12/06 2011/03/17	QUALITY SYMBOLS ▽=0 ▽=0	GENERAL TOLERANCES (UNLESS SPECIFIED)		DIMENSION STYLE MM ONLY		SCALE NTS	DESIGN UNITS METRIC	THIRD ANGLE PROJECTION
		4 PLACES ± --- ± --- 3 PLACES ± --- ± --- 2 PLACES ± 0.2 ± --- 1 PLACE ± 0.3 ± --- ANGULAR ± 3 °	mm INCH ± --- ± --- ± --- ± --- ± --- ± ---	DRAWN BY C/LAM DATE 2007/10/31	CHECKED BY KSSHANTHA DATE 2007/12/07	APPROVED BY NUKITA DATE 2010/03/13	MATERIAL NO. SEE TABLE	DOCUMENT NO. SD-78172-007

1.20MM PITCH, W-T-B RECEPTACLE CONNECTOR

MOLEX INCORPORATED

THIS DRAWING CONTAINS INFORMATION THAT IS PROPRIETARY TO MOLEX INCORPORATED AND SHOULD NOT BE USED WITHOUT WRITTEN PERMISSION