

Excellent Integrated System Limited

Stocking Distributor

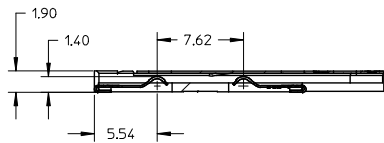
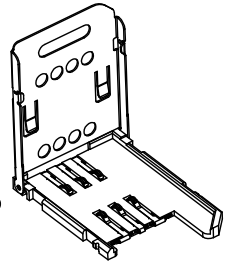
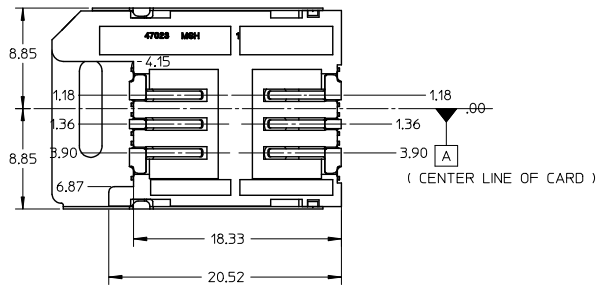
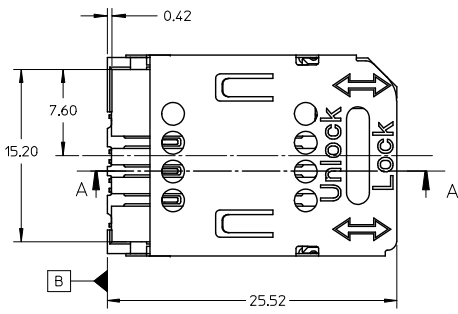
Click to view price, real time Inventory, Delivery & Lifecycle Information:

[Molex Connector Corporation](#)
[0470230001](#)

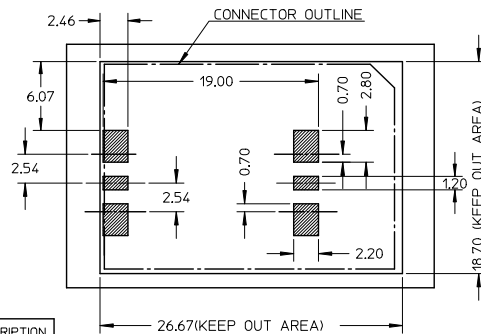
For any questions, you can email us directly:

sales@integrated-circuit.com

10 9 8 7 6 5 4 3 2 1



SECTION A-A



RECOMMENDED PCB LAYOUT(+0.05MM)

NOTES:

1.MATERIALS:

HOUSING: LCP,30% GLASS-FILLED,UL 94V-0, COLOR IS BLACK.
 TERMINAL: PHOSPHOR BRONZE,THICKNESS:0.15 MM,
 COVER SHELL: STAINLESS STEEL,THICKNESS:0.2MM.

2.FINISH:

CONTACT AREA: 0.75 MICRON GOLD PLATE OVER 1.27 MICRON NICKEL MIN.
 SOLDER AREA: 3.8 MICRON TIN PLATE OVER MICRON NICKEL MIN.

3.COPLANARITY: 0.1 MAX. AMONG THESE SOLDER TAILS.

THE LOWEST ONE CANNOT BE LOWER THAN 0.15MM BENEATH
 THE HOUSING AND THE HIGHEST ONE CANNOT BE ABOVE THE
 BOTTOM OF HOUSING.

4.PRODUCT SPECIFICATION: PS-47023-001.

5.PACKAGING SPECIFICATION: PK-47023-001.

P/N	PACKAGING DESCRIPTION
470230001	PAPER REEL
470230011	PLASTIC REEL

ADD NEW P/N EC NO: S2015-0146 DRAWN: JZENG CHKD: JIANQZ APPR: XILIM	2014/08/15 2014/09/05 2014/09/17	QUALITY SYMBOLS √=0 √=0 √=0	GENERAL TOLERANCES (UNLESS SPECIFIED)		DIMENSION STYLE		SCALE	DESIGN UNITS	THIRD ANGLE PROJECTION
			mm	INCH	MM ONLY		3:1	METRIC	1.9MM (HEIGHT) HINGED SIM CARD READER CONNECTOR
			4 PLACES ±---	±---	DRAWN BY	DATE	TITLE		
			3 PLACES ±---	±---	JTIAN	2004/05/11	1.9MM (HEIGHT) HINGED SIM CARD READER CONNECTOR		
ANGULAR ±1/2° DRAFT WHERE APPLICABLE MUST REMAIN WITHIN DIMENSIONS		SEE TABLE		MATERIAL NO.		DOCUMENT NO.	SHEET NO.		
				A3		SD-47023-001		1 OF 1	

9 8 7 6 5 4 3 2 1