

Excellent Integrated System Limited

Stocking Distributor

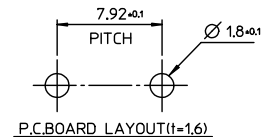
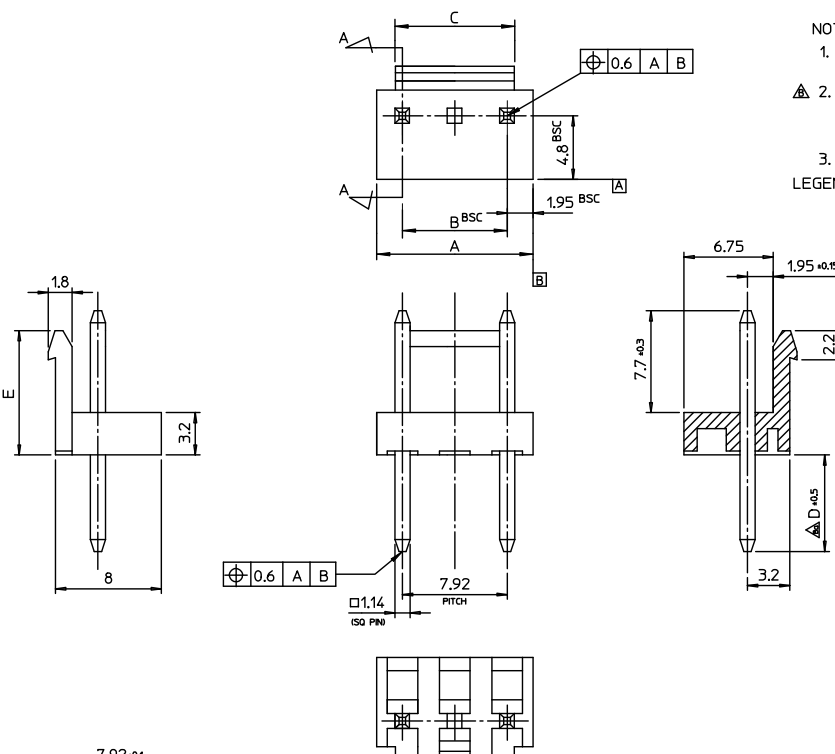
Click to view price, real time Inventory, Delivery & Lifecycle Information:

[Molex Connector Corporation](#)
[0359790210](#)

For any questions, you can email us directly:

sales@integrated-circuit.com

10 9 8 7 6 5 4 3 2 1



NOTES
 1. MATERIAL : HEADER -PA66, ①PC/PET
 PIN : BRASS(CDA 2700)
 2. FINISHES : PIN
 THICKNESS - TIN PLATED 3.0 MICROMETER MIN.
 OVER Cu 1.5 MICROMETER MIN.
 3. PRODUCT SPECIFICATION : PS-35979-001

LEGEND
 35979-****
 COLOR : 0 - WHITE
 1 - BLACK
 2 - RED
 3 - YELLOW
 4 - BLUE
 PIN LENGTH : 1 - SHORT PIN (PA66) ①4 - SHORT PIN (PC/PET)
 3 - LONG PIN (PA66) ①6 - LONG PIN (PC/PET)
 CIRCUIT NO. (02,03,04...)

9.4	3.7	56.50	55.44	59.40	3597908**	35979-08**	8	15
		48.58	47.52	51.48	3597907**	35979-07**	7	13
9.7	3.7	40.66	39.60	43.56	3597906**	35979-06**	6	11
		32.74	31.68	35.64	3597905**	35979-05**	5	9
		24.82	23.76	27.72	3597904**	35979-04**	4	7
		16.90	15.84	19.80	3597903**	35979-03**	3	5
		8.98	7.92	11.88	3597902**	35979-02**	2	3
E	D	C	B	A	MAT'L NO	ENG NO.	CKT	N

REVISED EC NO: KOR2009-0137 DRWN: JHPARK01 2009/05/21 CHKD: WY. YANG 2009/05/21 APPR: YUNSIKKIM 2009/05/22 REVISION DESCRIPTION	QUALITY SYMBOLS ▽=0 ▽=0	GENERAL TOLERANCES (UNLESS SPECIFIED) <table border="1"> <tr> <th></th> <th>mm</th> <th>INCH</th> </tr> <tr> <td>4 PLACES</td> <td>± ---</td> <td>± ---</td> </tr> <tr> <td>3 PLACES</td> <td>± ---</td> <td>± ---</td> </tr> <tr> <td>2 PLACES</td> <td>± ---</td> <td>± ---</td> </tr> <tr> <td>1 PLACE</td> <td>± 0.30</td> <td>± ---</td> </tr> <tr> <td colspan="3">ANGULAR ± 2 °</td> </tr> </table>		mm	INCH	4 PLACES	± ---	± ---	3 PLACES	± ---	± ---	2 PLACES	± ---	± ---	1 PLACE	± 0.30	± ---	ANGULAR ± 2 °			DIMENSION STYLE MM ONLY	SCALE 3:1	DESIGN UNITS METRIC	THIRD ANGLE PROJECTION
		mm	INCH																					
	4 PLACES	± ---	± ---																					
	3 PLACES	± ---	± ---																					
2 PLACES	± ---	± ---																						
1 PLACE	± 0.30	± ---																						
ANGULAR ± 2 °																								
DRAWN BY YUR IWI	DATE 1999/05/07	TITLE 7.92 PITCH W-T-B CONN. HEADER ASS'Y																						
CHECKED BY J. K. OH	DATE 1999/05/07	MOLEX INCORPORATED																						
APPROVED BY C. W. LEE	DATE 1999/05/07	MATERIAL NO. SEE TABLE	DOCUMENT NO. SD-35979-001	SHEET NO. 1 OF 01																				

THIS DRAWING CONTAINS INFORMATION THAT IS PROPRIETARY TO MOLEX INCORPORATED AND SHOULD NOT BE USED WITHOUT WRITTEN PERMISSION

9 8 7 6 5 4 3 2 1