

## Excellent Integrated System Limited

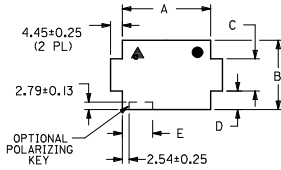
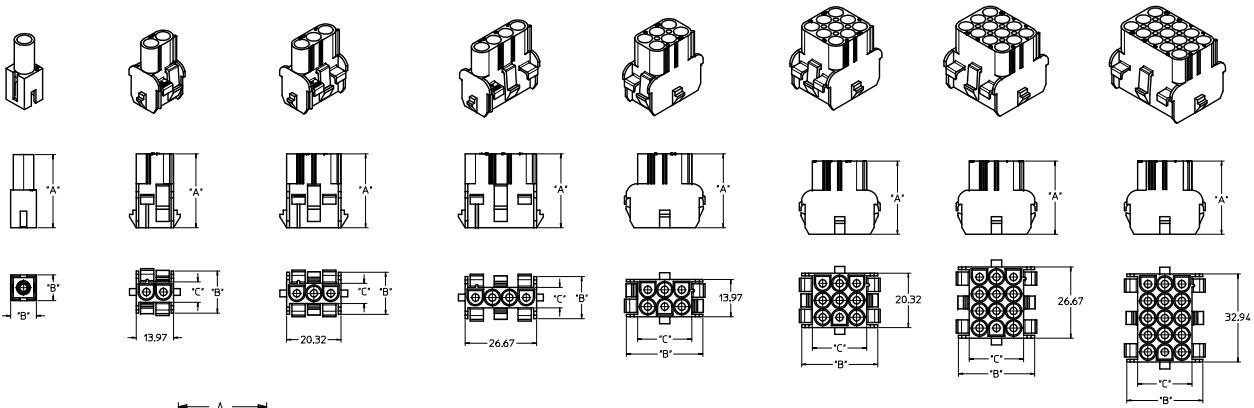
Stocking Distributor

Click to view price, real time Inventory, Delivery & Lifecycle Information:

[Molex Connector Corporation](#)  
[0050842062](#)

For any questions, you can email us directly:

[sales@integrated-circuit.com](mailto:sales@integrated-circuit.com)



**RECOMMENDED PANEL CUTOUT**

PANEL THICKNESS: 0.76-2.29 (SEE NOTE 6)

CIRCUIT SIZE	DIMENSIONS				
	A±0.12	B±0.12	C±0.25	D±0.25	E±0.25
2	14.35	13.46	8.64	2.41	6.35
3	20.70	13.46	8.64	2.41	6.35
4	27.05	13.46	8.64	2.41	6.35
6	14.35	26.16	12.19	6.99	6.35
8	52.45	13.46	8.64	2.41	6.35
9	20.70	26.16	12.19	6.99	6.35
12	27.05	26.16	12.19	6.99	8.89
15	33.40	26.16	12.19	6.99	8.89

▲ - CIRCUIT #1 LOCATION WHEN USING POLARIZING KEY OPTION WITH 2, 3, 4 AND 8 CIRCUIT HOUSINGS.

● - OPTION WITH 6, 9, 12 AND 15 CIRCUIT HOUSINGS.

**NOTES:**

1) MATERIAL CODES:

- \*A\* = PA6/6, V-2  
COLOUR: NATURAL-TRANSLUCENT
- \*C\* = PA66/6, V-0  
COLOUR: NATURAL-OPAQUE
- \*E\* = NYLON PA66, 94V-2  
COLOUR- BLACK (ZYTEL 101F)

- 2) UNLESS OTHERWISE INDICATED, DIMENSIONS ARE FOR REFERENCE ONLY.
- 3) CAP HOUSINGS MATE WITH :  
- PLUG HOUSINGS, 2.13 DIA. SERIES: (42021-\*\*)
- 4) HOUSINGS DESIGNED TO BE USED WITH TERMINALS:  
- PINS, 2.13 DIA. SERIES: (42023-\*\*\*\*)  
- SOCKETS, 2.13 DIA. SERIES: (42024-\*\*\*\*)
- 5) CONTACTS ARE ON 6.35 GRID CENTERLINE SPACING.
- 6) PANEL TO BE PUNCHED SO THAT THE HOUSING ENTERS THE PANEL OPPOSITE THE SIDE WITH THE BURR (I.E. OPPOSITE THE BREAK SIDE).
- 7) PRODUCT SPECIFICATION PS-42022-0001 APPLIES.
- 8) REFER DOCUMENT NO SD-36644-009 FOR GLOW WIRE COMPATIBLE PART NUMBERS.

QUALITY SYMBOLS	GENERAL TOLERANCES (UNLESS SPECIFIED)		DIMENSION STYLE		SCALE	DESIGN UNITS	THIRD ANGLE PROJECTION
	mm	INCH	MM ONLY	INCH			
▽-0	4 PLACES	±---	---	---	2:1	METRIC	©
▽-1	3 PLACES	±---	---	---			
▽-2	2 PLACES	±0.25	---	---			
▽-3	1 PLACE	±0.50	---	---			
▽-4	0 PLACE	±---	---	---			

Address: P.O. Box 5084-2062, Chino, CA 91710-0084, USA	DATE: 2014/02/28	DESCRIPTION: HOUSING CAP	DRAWN BY: [Name]	DATE: 87/11/15	TITLE: HOUSING CAP .084/(2.13) DIA. SERIES
			CHECKED BY: [Name]	DATE: 87/11/15	
			APPROVED BY: [Name]	DATE: 87/11/15	
					<b>molex</b>
			DRAFT: WHERE APPLICABLE SEE SHEET 2	DOCUMENT NO: SD-42022-0001	SHEET NO: 1 OF 2

