

Excellent Integrated System Limited

Stocking Distributor

Click to view price, real time Inventory, Delivery & Lifecycle Information:

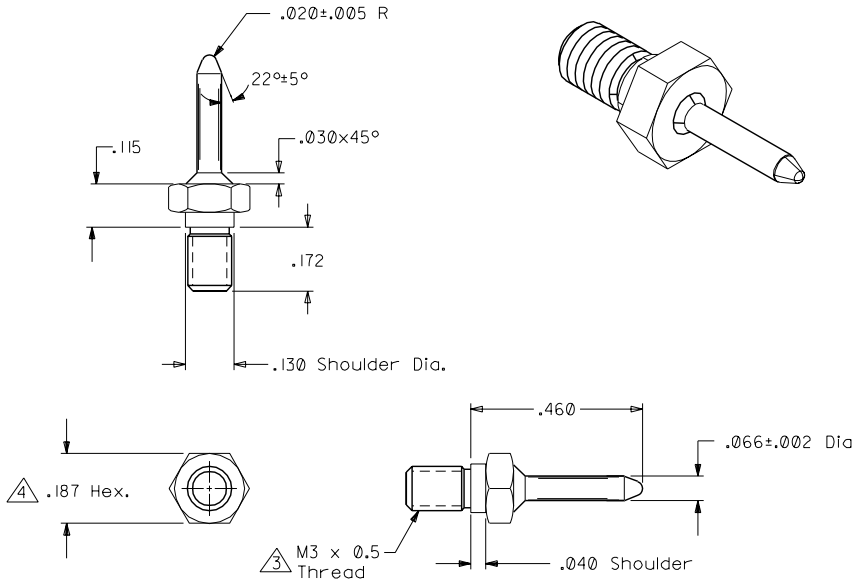
[Molex Connector Corporation](#)
[0716283000](#)

For any questions, you can email us directly:

sales@integrated-circuit.com

Notes:

1. Material: Heat Treated Steel.
2. Finish: Nickel Plate.
3. Maximum Assembly Torque: 5 in-lbs.
4. Socket Size: 3/16".



MFG.	SH.	REV.	LTR.	REVISIONS

E	REVISED PER UDT2001-1175 SCHMIDG 01/04/26
DI	Added 'Mating HRD' PER ECN U6-1418 DRS 05/13/96
D	Added -3000 ECN #U50846 DRS 04/11/95
C	Added Dims ECN #40107 DKS 2-14-94
B	Tip Rad Was .005 ECN #31700 DKS 11-12-93
A	RELEASED PER ECN# U30178 MOS 5/6/93

DIMENSIONS SHOWN (METRIC) INCH		TOLERANCES: ANGULAR ± 1/2°		REVISIONS	
3 PLACE ±	.010	---	---	REVISIONS	
2 PLACE ±	*	*	*	REVISIONS	
1 PLACE	---	*	*	REVISIONS	
DRAFT WHERE APPLICABLE MUST REMAIN WITHIN DIMENSIONS				REVISIONS	
DRWG. BY: MOS		CHK'D. BY: BIXLER		SHEET NO. 1 of 1	
APP'D. BY: BIXLER		SCALE: 4:1		DATE: 03/11/93	
FILE NAME: S71628X1 DGN		PART NO. 71628-3000		DRWG. NO. SDA-71628-****	
THIS DRAWING CONTAINS INFORMATION THAT IS PROPRIETARY TO MOLEX INC. AND SHOULD NOT BE USED WITHOUT WRITTEN PERMISSION					
				DRW.	SIZE
				CD	B

10 9 8 7 6 5 4 3 2 1