

## Excellent Integrated System Limited

Stocking Distributor

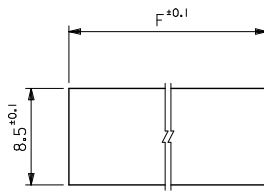
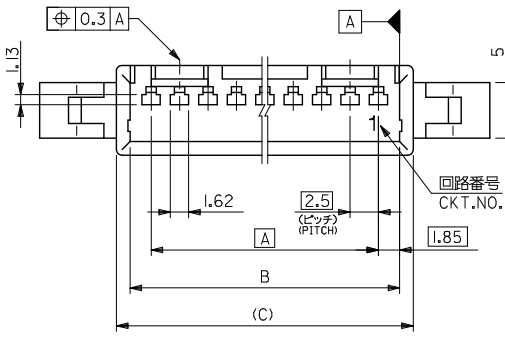
Click to view price, real time Inventory, Delivery & Lifecycle Information:

[Molex Connector Corporation](#)  
[0029110022](#)

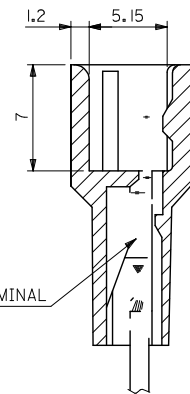
For any questions, you can email us directly:

[sales@integrated-circuit.com](mailto:sales@integrated-circuit.com)

10 9 8 7 6 5 4 3 2 1

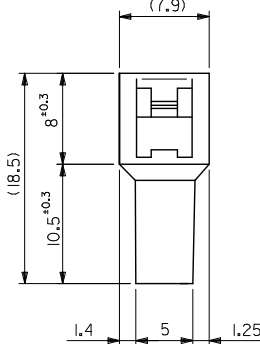
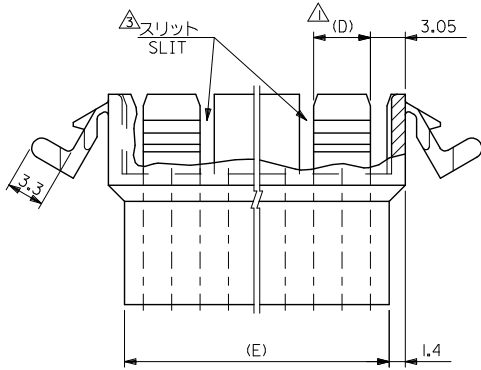


パネルスロット寸法  
PANEL SLOT DIMENSION  
パネル板厚 2mmMAX.  
PANEL THK.



適合ターミナル  
APPLICABLE TERMINAL  
5241\*

ターミナル装着状態図  
TERMINAL ASSEMBLY DRAWING



44.9	38.3	5	41.1	38.7	35	29-11-0152	5240-15	15
37.4	30.8	5	33.6	31.2	27.5	-0122	-12	12
34.9	28.3	5	31.1	28.7	25	-0112	-11	11
32.4	25.8	5	28.6	26.2	22.5	-0102	-10	10
29.9	23.3	5	26.1	23.7	20	-0092	-09	9
27.4	20.8	5	23.6	21.2	17.5	-0082	-08	8
24.9	18.3	5	21.1	18.7	15	-0072	-07	7
22.4	15.8	5	18.6	16.2	12.5	-0062	-06	6
19.9	13.3	3.75	16.1	13.7	10	-0052	-05	5
17.4	10.8	7.5	13.6	11.2	7.5	-0042	-04	4
14.9	8.3	5	11.1	8.7	5	-0032	-03	3
12.4	5.8	2.5	8.6	6.2	2.5	29-11-0022	5240-02	2
F	(E)	(D)	(C)	B	A	EDP. NO.	MATERIAL NO.	種別 NO. OF CKT.

注記 NOTE

- △ 4種までは1箇所、5種以上は2箇所。  
FRICTION LOCK CONFIGURATION:  
4CKT. AND UNDER — 1 LOCK  
5CKT. AND OVER — 2 LOCKS
- 2. 嵌合相手: 5102-N  
MATE WITH HOUSING: 5102-N
- △ 4種以下はなし、5及び6種は1箇所、7種以上は2箇所。  
SLIT CONFIGURATION:  
4CKT. AND UNDER — NO SLIT  
5 AND 6CKTS — 1 SLIT  
7CKT. AND OVER — 2 SLIT

材料 MATERIAL  
NYLON66,UL94V-0

REVISED IEC NO. J2009-0885 TIDRWANKAMURA 2008/12/15 CHIKO-I HARIYAMA 2008/12/15 APPR:NIKIITA 2009/01/14	GENERAL TOLERANCES (UNLESS SPECIFIED)		DIMENSION STYLE MM ONLY	SCALE ---	DESIGN UNITS METRIC	MODEL NO. 5240-N
	10 UNDER	± 0.2	DRAWN BY Y. KANNO	DATE '98/7/23	TITLE MINI SPOX. PLUG HSG.	
	10 OVER 30 UNDER	± 0.25	CHECKED BY K. T.	DATE '98/7/24		
	30 OVER	± 0.30	APPROVED BY M. FUKUSHIMA	DATE '98/7/24	MATERIAL NO. SD-5240-001	SHEET NO. 1 OF 1
	ANGULAR ± 3 °	DRAFT WHERE APPLICABLE MUST REMAIN WITHIN DIMENSIONS		MOLEX INCORPORATED		
		SEE TABLE		THIS DRAWING CONTAINS INFORMATION THAT IS PROPRIETARY TO MOLEX INCORPORATED AND SHOULD NOT BE USED WITHOUT WRITTEN PERMISSION		