

## Excellent Integrated System Limited

Stocking Distributor

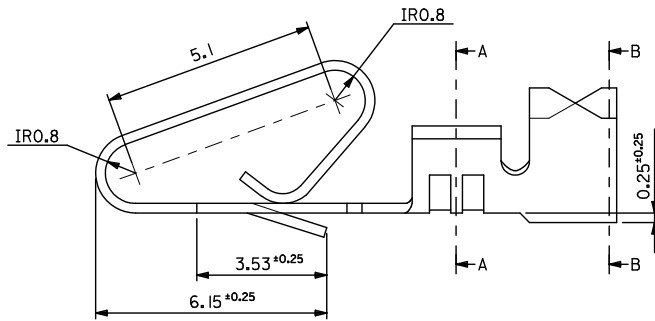
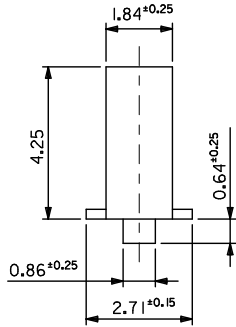
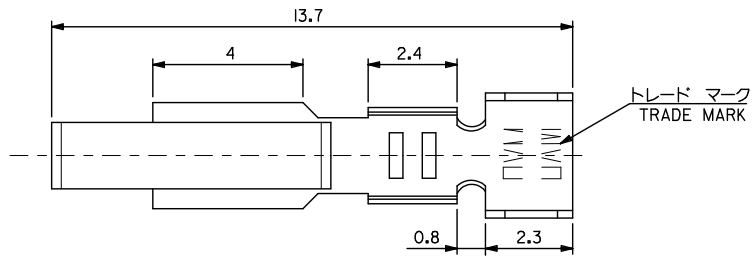
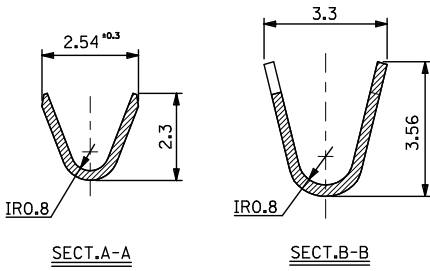
Click to view price, real time Inventory, Delivery & Lifecycle Information:

[Molex Connector Corporation](#)  
[0039000342](#)

For any questions, you can email us directly:

[sales@integrated-circuit.com](mailto:sales@integrated-circuit.com)

10 9 8 7 6 5 4 3 2 1



|                       |            |         |             |
|-----------------------|------------|---------|-------------|
| OVERALL TIN 0.88µmin  | 39000342   | 2478TL  | LOOSE       |
| OVERAL COPPER 0.5µmin | 39000286   | 2478T   | CHAIN       |
| ニッケル下地 2 µmMIN.       | 39-00-0344 | 2478GL  | バラ状 LOOSE   |
| 金 0.35 µmMIN.         | 39-00-0343 | 2478G   | チェーン状 CHAIN |
| GOLD 0.35 µmMIN. OVER |            |         | 形状 FORM     |
| NICKEL 2 µmMIN.       |            |         |             |
| メッキ PLATING           | EDP NO.    | ENG.NO. |             |

注記 NOTES :  
1. 一般公差 : ±0.4  
GENERAL TOLERANCES: ±0.4

MATERIAL  
BRASS t = 0.254

|                   |            |
|-------------------|------------|
| ENTER DESCRIPTION | 2010/06/23 |
| EC NO: 12010-0695 |            |
| DRAWN BY          | 2010/07/28 |
| CHK:HIRAMOT       |            |
| APPR:KPRASAD      |            |
| REV               |            |

|                 |  |
|-----------------|--|
| QUALITY SYMBOLS | GENERAL TOLERANCES (UNLESS SPECIFIED)                |
| ▽=0             | mm INCH  |
| ▽=0             | 4 PLACES ±0.2 ±---                                   |
|                 | 3 PLACES ±0.25 ±---                                  |
|                 | 2 PLACES ±0.3 ±---                                   |
|                 | 1 PLACE ±0.01 ±---                                   |
|                 | ANGULAR ± 3°   |
|                 | DRAFT WHERE APPLICABLE MUST REMAIN WITHIN DIMENSIONS |

|   |              |                    |                        |
|---|--------------|--------------------|------------------------|
| DIMENSION STYLE   | SCALE        | DESIGN UNITS       | THIRD ANGLE PROJECTION |
| MM ONLY   | 10:1         | METRIC             | ◎ □                    |
| DRAWN BY  | DATE         | TITLE              |                        |
| HASEGAW   | 1993/04/23   | STD KK CRIMP REC   |                        |
| CHECKED BY  | DATE         |                    |                        |
| HIRAMOT   | 1996/01/30   |                    |                        |
| APPROVED BY   | DATE         |                    |                        |
| MFUKUSHI  | 1996/01/30   |                    |                        |
| MATERIAL NO.  | DOCUMENT NO. | MOLEX INCORPORATED |                        |
| SEE CHART   | SD-2478*     | SHEET NO. 1 OF 1   |                        |
| THIS DRAWING CONTAINS INFORMATION THAT IS PROPRIETARY TO MOLEX INCORPORATED AND SHOULD NOT BE USED WITHOUT WRITTEN PERMISSION |              |                    |                        |

9 8 7 6 5 4 3 2 1