

Excellent Integrated System Limited

Stocking Distributor

Click to view price, real time Inventory, Delivery & Lifecycle Information:

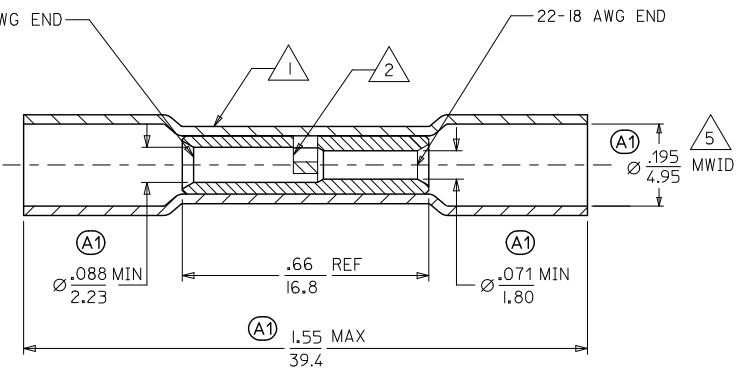
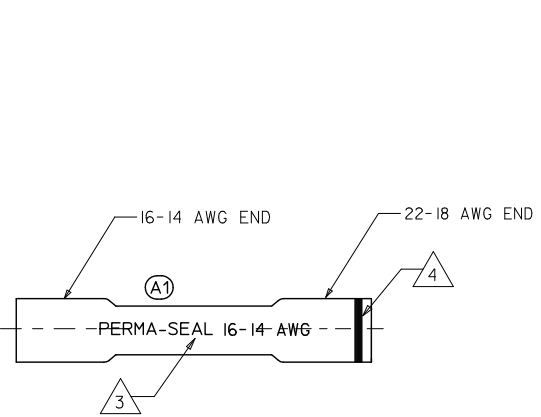
[Molex Connector Corporation](#)
[0191640043](#)

For any questions, you can email us directly:

sales@integrated-circuit.com

10 9 8 7 6 5 4 3 2 19164

MATERIAL NUMBER	ENGINEERING NUMBER
191640043	SBA-631



- NOTES
- 1. INSULATION MATERIAL: HEAT SHRINKABLE TUBING WITH HOTMELT INNER LINER, COLOR BLUE.
 - 2. SEAMLESS TIN PLATED COPPER TERMINAL.
 - 3. PRINTED TEXT IN BLACK .06 HIGH AS SHOWN. DIRECTION CAN BE REVERSED DUE TO MFG PROCESSES.
 - 4. RED STRIPE ORIENTATED ON 22-18 AWG END OF CONNECTOR.
 - 5. MWID-MAXIMUM WIRE INSULATION DIAMETER.
 - 6. PART IS ROHS COMPLIANT.

SALES DRAWING

UPDATE TOLERANCES EC NO: WNA2012-0117 DRAWN: THRODAHL 2011/08/25 CHKD: MACNEIL 2011/08/25 APPR: MACNEIL 2011/08/26	QUALITY SYMBOLS ▽=0 ▽=0	GENERAL TOLERANCES (UNLESS SPECIFIED)		DIMENSION STYLE IN/MM		SCALE ---	DESIGN UNITS INCH	THIRD ANGLE PROJECTION	
		4 PLACES ±---	±---	DRAWN BY RCM	DATE 1991/10/28	TITLE STEP DOWN BUTT SPLICE PERMA-SEAL 16-14 AWG 22-18 AWG			
		3 PLACES ±---	±---	CHECKED BY JM	DATE 1991/10/28	MOLEX INCORPORATED			
		2 PLACES ±---	±---	APPROVED BY	DATE	MATERIAL NO. SEE CHART DOCUMENT NO. SD-19164-029 SHEET NO. 1 OF 1			
1 PLACE ±---	±---	ANGULAR ±---		DRAFT WHERE APPLICABLE MUST REMAIN WITHIN DIMENSIONS					
SIZE B		THIS DRAWING CONTAINS INFORMATION THAT IS PROPRIETARY TO MOLEX INCORPORATED AND SHOULD NOT BE USED WITHOUT WRITTEN PERMISSION							

9 8 7 6 5 4 3 2 1