

Excellent Integrated System Limited

Stocking Distributor

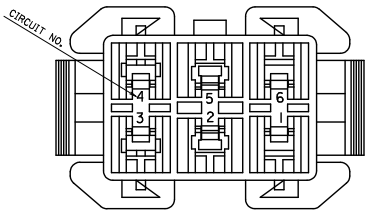
Click to view price, real time Inventory, Delivery & Lifecycle Information:

[Molex Connector Corporation](#)
[0351500610](#)

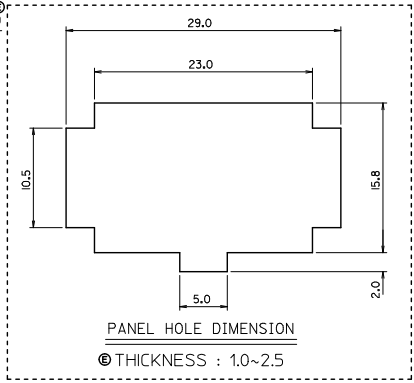
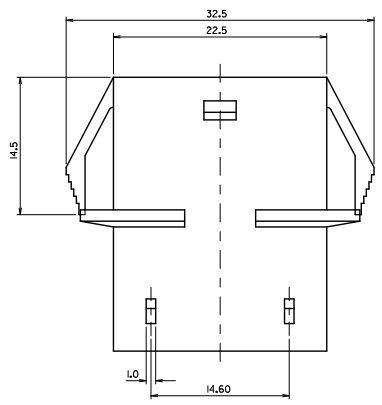
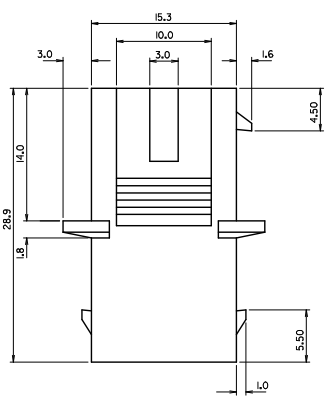
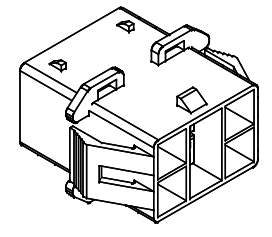
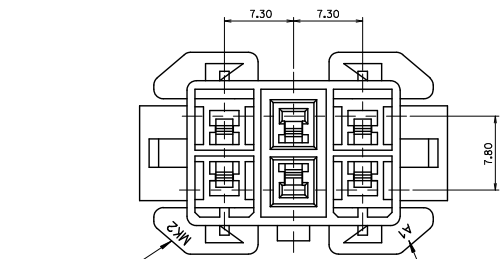
For any questions, you can email us directly:

sales@integrated-circuit.com

10 9 8 7 6 5 4 3 2 1



VIEW "A"



- NOTES.
1. MATERIAL & COLOR : SEE TABLE
 2. MATED HOUSING : 35151-061*/#619
 3. APPLICABLE TERMINAL : 35745-**** (3.4 CKT)
35746-**** (2.5 CKT)
35747-**** (1.6 CKT)
 4. APPLICABLE T.P.A : 35150-039*
 5. PRODUCT SPECIFICATION : PS-35150-003

NO	PRODUCT		MATERIAL	
	PART NO	COLOR	DESCRIPTION	
1	35150-0610	NATURAL	POLYESTER (PBT) (UL94V-0)	
2	35150-0612	RED		
3	35150-0614	BLUE	PC/PET (UL94V-0)	
4	35150-0619	NATURAL		
5	35150-2619	RED		
6	35150-3619	YELLOW		
7	35150-4619	BLUE		

REVISED EC NO: KOR2010-0092 DRAWN: HPAK01 2010/01/14 CHK: MY. YANG 2010/01/14 APPR: YUNSKKIM 2010/01/14	QUALITY SYMBOLS ▽=0 ▽=0	GENERAL TOLERANCES (UNLESS SPECIFIED)		DIMENSION STYLE MM ONLY	SCALE 1:1	DESIGN UNITS METRIC	THIRD ANGLE PROJECTION		
		4 PLACES ± --- ± --- 3 PLACES ± --- ± --- 2 PLACES ± 0.3 ± --- 1 PLACE ± 0.3 ± --- ANGULAR ± 3°	DRAWN BY MY. YANG 1992/09/14	DATE 1992/09/14	TITLE 7.3 PITCH W/W MALE HOUSING-6P	MOLEX INCORPORATED SD-35150-061* SHEET NO. 1 OF 01			
		DRAFT WHERE APPLICABLE MUST REMAIN WITHIN DIMENSIONS	CHECKED BY BK. CHOI 1992/09/14	DATE 1992/09/14					

9 8 7 6 5 4 3 2 1