

Excellent Integrated System Limited

Stocking Distributor

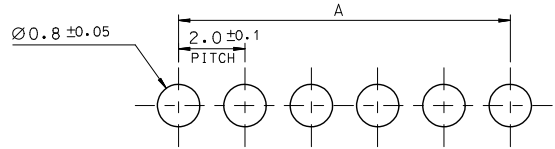
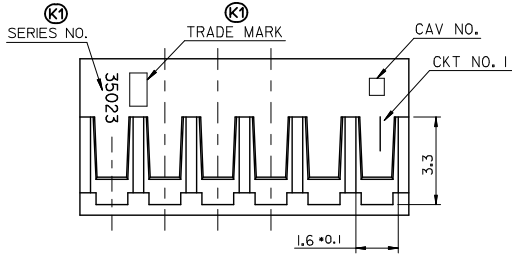
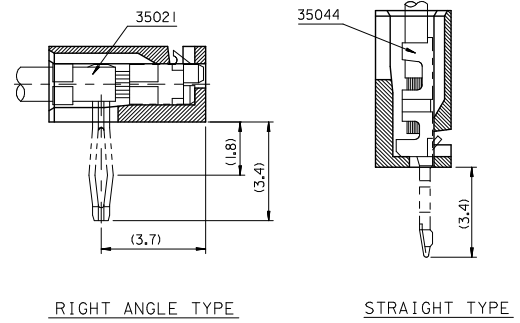
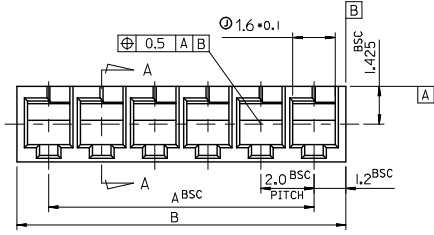
Click to view price, real time Inventory, Delivery & Lifecycle Information:

[Molex Connector Corporation](#)
[0350230003](#)

For any questions, you can email us directly:

sales@integrated-circuit.com

10 9 8 7 6 5 4 3 2 1



(K1)* LEGEND

35023 - 00**

CKT NO.(02,03,04...)

32.4	30.0	35023- 00**	16	18.4	16.0	- 00**	9
30.4	28.0	- 00**	15	16.4	14.0	- 00**	8
28.4	26.0	- 00**	14	14.4	12.0	- 00**	7
26.4	24.0	- 00**	13	12.4	10.0	- 00**	6
24.4	22.0	- 00**	12	10.4	8.0	- 00**	5
22.4	20.0	- 00**	11	8.4	6.0	- 00**	4
20.4	18.0	- 00**	10	6.4	4.0	- 00**	3
B	A	ENG NO.	CKT NO.	B	A	ENG NO.	CKT NO.

NOTE

1. MATERIAL : POLYAMIDE 66(PA66),
UNFILLED, UL94V-0,
COLOR: IVORY

2. PRODUCT SPECIFICATION : PS-35023-001

3. PACKAGING SPECIFICATION : PK-35023-001

4. APPLICABLE TERMINAL :

R/A: 35021-1201/1301/1310/1360
ST.: 35044-9101/9102/9110/9210
35044-9160/9260

REVISED EC NO.: KOR2013-0030 DRAWN:SKCHO 2012/09/04 CHKD: APPR:YSKIM02 2012/09/17	QUALITY SYMBOLS ▽=0 ▽=0	GENERAL TOLERANCES (UNLESS SPECIFIED)		DIMENSION STYLE MM ONLY		SCALE 1/1	DESIGN UNITS METRIC	THIRD ANGLE PROJECTION					
		4 PLACES ± --- ± ---	3 PLACES ± --- ± ---	2 PLACES ± 0.2 ± ---	1 PLACE ± 0.3 ± ---	0 PLACE ± ±	ANGULAR ± 1 °	DRAFT WHERE APPLICABLE MUST REMAIN WITHIN DIMENSIONS	DRAWN BY HS.SHIN 1993/10/26	CHECKED BY JK.OH 1993/10/26	APPROVED BY CW.LEE 1993/10/26	TITLE 2.0 PITCH B-IN CONN. HOUSING(S/T)	MATERIAL NO. SEE TABLE

9 8 7 6 5 4 3 2 1