

## Excellent Integrated System Limited

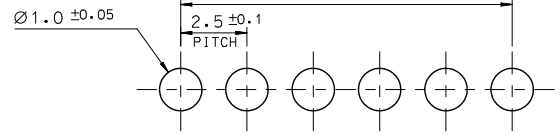
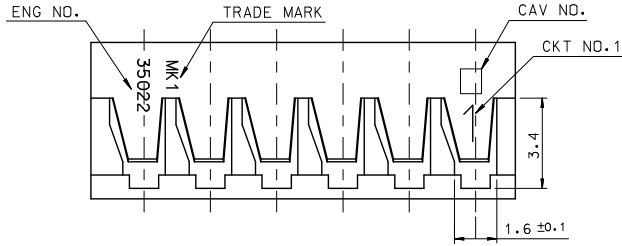
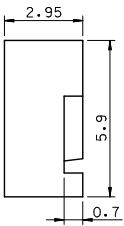
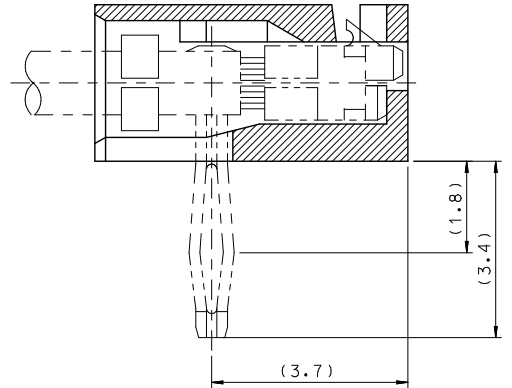
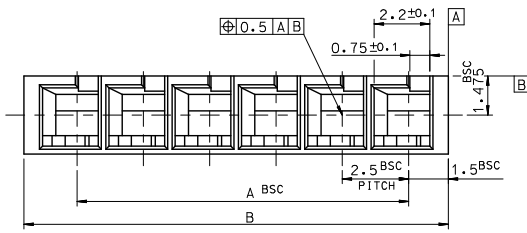
Stocking Distributor

Click to view price, real time Inventory, Delivery & Lifecycle Information:

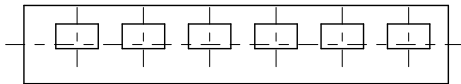
[Molex Connector Corporation](#)  
[0350220004](#)

For any questions, you can email us directly:

[sales@integrated-circuit.com](mailto:sales@integrated-circuit.com)



P.C. BOARD LAY OUT  
(THK.: 1.6+)



|      |      |            |    |      |      |            |       |   |
|------|------|------------|----|------|------|------------|-------|---|
|      |      |            |    | 23.5 | 20.0 |            | -0009 | 9 |
| 41.0 | 37.5 | 35022-0016 | 16 | 21.0 | 17.5 |            | -0008 | 8 |
| 38.5 | 35.0 | -0015      | 15 | 18.5 | 15.0 |            | -0007 | 7 |
| 36.0 | 32.5 | -0014      | 14 | 16.0 | 12.5 |            | -0006 | 6 |
| 33.5 | 30.0 | -0013      | 13 | 13.5 | 10.0 |            | -0005 | 5 |
| 31.0 | 27.5 | -0012      | 12 | 11.0 | 7.5  |            | -0004 | 4 |
| 28.5 | 25.0 | -0011      | 11 | 8.5  | 5.0  |            | -0003 | 3 |
| 26.0 | 22.5 | -0010      | 10 | 6.0  | 2.5  | 35022-0002 |       | 2 |

NOTE.

- MATERIAL : ① PA66,UL94V-0  
COLOR : IVORY
- APPLICABLE TERMINAL : 35021-1001/1101

|         |                      |            |
|---------|----------------------|------------|
| REVISED | EC. NO. KOR2011-0061 | 2010/12/28 |
|         | DRAWN: HPR/K01       | 2010/12/28 |
|         | CHKD: SIK/CHU        | 2010/12/28 |
|         | APPR: TUNSI/KK/IM    | 2010/12/28 |

|                 |             |
|-----------------|-------------|
| QUALITY SYMBOLS | DESCRIPTION |
| ▽=0             |             |
| ▽=0             |             |

|  |              |
|--|--------------|
| GENERAL TOLERANCES (UNLESS SPECIFIED)                |              |
|  | mm INCH      |
| 4 PLACES   | ± --- ± ---  |
| 3 PLACES   | ± --- ± ---  |
| 2 PLACES   | ± --- ± ---  |
| 1 PLACE  | ± 0.30 ± --- |
| ANGULAR ± 1 °  |              |
| DRAFT WHERE APPLICABLE MUST REMAIN WITHIN DIMENSIONS |              |

|                 |   |                                  |              |                        |
|-----------------|---|----------------------------------|--------------|------------------------|
| DIMENSION STYLE |   | SCALE                            | DESIGN UNITS | THIRD ANGLE PROJECTION |
| MM ONLY         |   | 7:1                              | METRIC       | ⊙ □                    |
| DRAWN BY        | DATE  | TITLE                            |              |                        |
| HS. SHIN        |   | 2.5MM R/A B-IN CONNECTOR HOUSING |              |                        |
| CHECKED BY      | DATE  |                                  |              |                        |
| APPROVED BY     | DATE  | MOLEX INCORPORATED               |              |                        |
| MATERIAL NO.    | DOCUMENT NO.  | SD-35022-00**                    |              |                        |
| SIZE            | THIS DRAWING CONTAINS INFORMATION THAT IS PROPRIETARY TO MOLEX INCORPORATED AND SHOULD NOT BE USED WITHOUT WRITTEN PERMISSION |                                  |              |                        |

|   |   |         |         |   |   |         |         |
|---|---|---------|---------|---|---|---------|---------|
| B | A | ENG NO. | CKT NO. | B | A | ENG NO. | CKT NO. |
|   |   |         |         |   |   |         |         |