

Excellent Integrated System Limited

Stocking Distributor

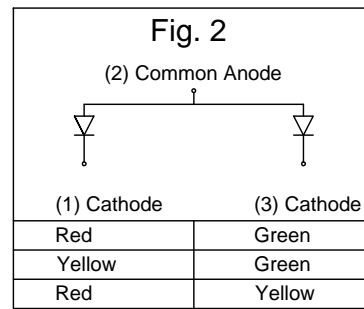
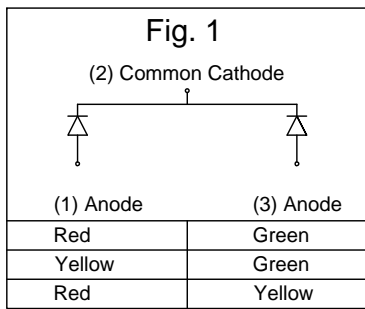
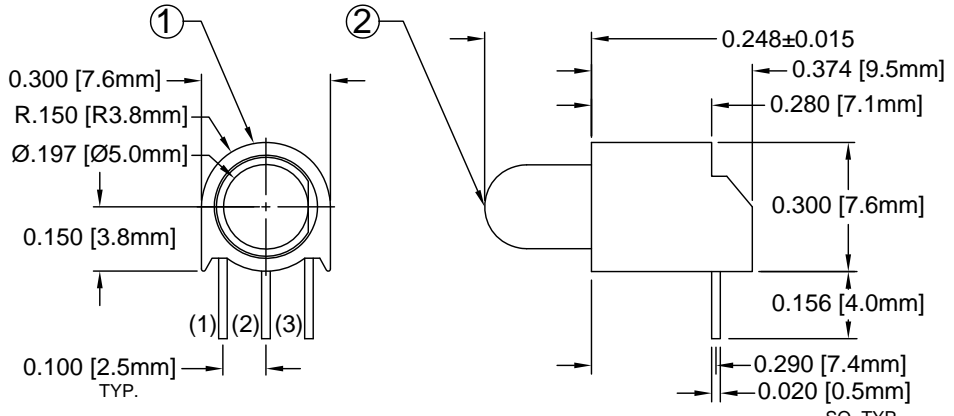
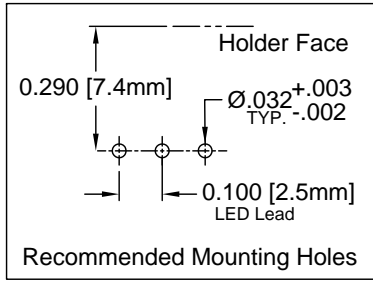
Click to view price, real time Inventory, Delivery & Lifecycle Information:

[Bivar, Inc.](#)
[H178CBC-3](#)

For any questions, you can email us directly:
sales@integrated-circuit.com

| ITEM | QTY | PART NUMBER | PART DESCRIPTION |
|------|-----|--------------|--|
| 1 | 1 | H-178C-3 | T-1¼ (5mm) Single-Level Tri-Lead LED Holder, 90° Mount |
| 2 | 1 | 5BC-3-XXXX-F | T-1¼ (5mm) Bi-Color/Tri-Color Flanged LED, See Page 2 |

| REV. | DESCRIPTION | DATE | APPROVED |
|------|---|----------|----------|
| B | Corrected Typo H178CBC-3-B from "Yellow/HE Red" to "Green/HE Red" | 09/17/04 | M. C. |
| C | LED Protrusion Tolerance Update | 04/27/05 | M. C. |
| D | Obsolete H178CBC-3-B & H178CBC-3-Y/G-B | 09/24/08 | M. C. |
| E | Engineering Update w/o Changes | 06/20/16 | J. C. |



ABSOLUTE MAXIMUM RATINGS (Ta=25° C)



| | |
|--|----------------------|
| REVERSE VOLTAGE _____ | 5V |
| REVERSE CURRENT _____ | 100uA |
| OPERATING TEMPERATURE RANGE _____ | -40° C - 80° C |
| STORAGE TEMPERATURE _____ | -40° C - 100° C |
| LEAD SOLDERING TEMPERATURE (1/16" FROM BODY) _____ | 260° C FOR 5 SECONDS |

| | | |
|---|----------------|--|
| STANDARD TOLERANCE (UNLESS OTHERWISE SPECIFIED) | | 4 THOMAS, IRVINE, CA. 92618 TEL: (949) 951-8808 FAX: (949) 951-3974 |
| DECIMALS | ANGULAR | |
| .X ±.1 | X° ±1° | TITLE: T-1¼ (5MM) BI-COLOR 3 LEAD 90° SINGLE-LEVEL LED ASSY PART NO: H178CBC-3-XXXX CAGE CODE : 32559 SHEET # 1 OF 2 |
| .XX ±.02 | | |
| .XXX ±.010 | | |
| DESIGNED: T. Yin | DATE: 03/05/04 | REVISION: E |
| CHECKED: D. Green | DATE: 03/05/04 | |

CAD GENERATED DOCUMENT, DO NOT MEASURE DRAWING.

| REV | DESCRIPTION | DATE | APPROVED |
|-----|--------------|------|----------|
| | SEE SHEET #1 | | |

| LED Assy. No. | Peak Wave Length λ_p (nm) | Emitted Color | Lens Appearance | Abs. Max. Rating | Electro-Optical Data @ 20m A | | | Viewing Angle $2\theta_{1/2}$ (Deg) | LED P/N | |
|------------------------------|-----------------------------------|---------------|-----------------|------------------|------------------------------|--------|-----|-------------------------------------|----------------|----------|
| | | | | | If (mA) | Vf (V) | | | | Iv (mcd) |
| | | | | | | TYP | MAX | | | TYP |
| H178CBC-3 (Fig. 1) | 625 | HE RED | WHITE DIFFUSED | 30 | 2.0 | 2.8 | 35 | 40 | 5BC-3-F | |
| | 568 | GREEN | | | 2.1 | 2.8 | | | | |
| H178CBC-3-Y/G (Fig. 1) | 590 | YELLOW | WHITE DIFFUSED | 30 | 2.0 | 2.8 | 30 | 40 | 5BC-3-Y/G-F | |
| | 568 | GREEN | | | 2.1 | 2.8 | | | | 35 |
| H178CBC-3-CA (Fig. 2) | 625 | HE RED | WHITE DIFFUSED | 30 | 2.0 | 2.8 | 4 | 40 | 5BC-3-CA-F | |
| | 568 | GREEN | | | 2.1 | 2.8 | | | | 6 |
| H178CBC-3-Y/G-CA (Fig. 2) | 590 | YELLOW | WHITE DIFFUSED | 30 | 2.0 | 2.8 | 4 | 40 | 5BC-3-Y/G-CA-F | |
| | 568 | GREEN | | | 2.1 | 2.8 | | | | 6 |

| | | | |
|--|--------------------------|---|-----------------------|
| STANDARD TOLERANCE (UNLESS OTHERWISE SPECIFIED) <small>±10% ALL VALUES ANGULAR</small> | |  4 THOMAS, IRVINE, CA. 92618 TEL: (949) 951-8808 FAX: (949) 951-3974 | |
| | |  TITLE: T-1 1/4 (5MM) BI-COLOR 3 LEAD 90° SINGLE-LEVEL LED ASSY | |
| DESIGNED: T. Yin | DATE: 03/05/04 | PART NO: H178CBC-3-XXXX | REVISION: E |
| CHECKED: D. Green | DATE: 03/05/04 | CAGE CODE : 32559 | SHEET # 2 OF 2 |
| CAD GENERATED DOCUMENT. DO NOT MEASURE DRAWING. | | | |