



## **Excellent Integrated System Limited**

Stocking Distributor

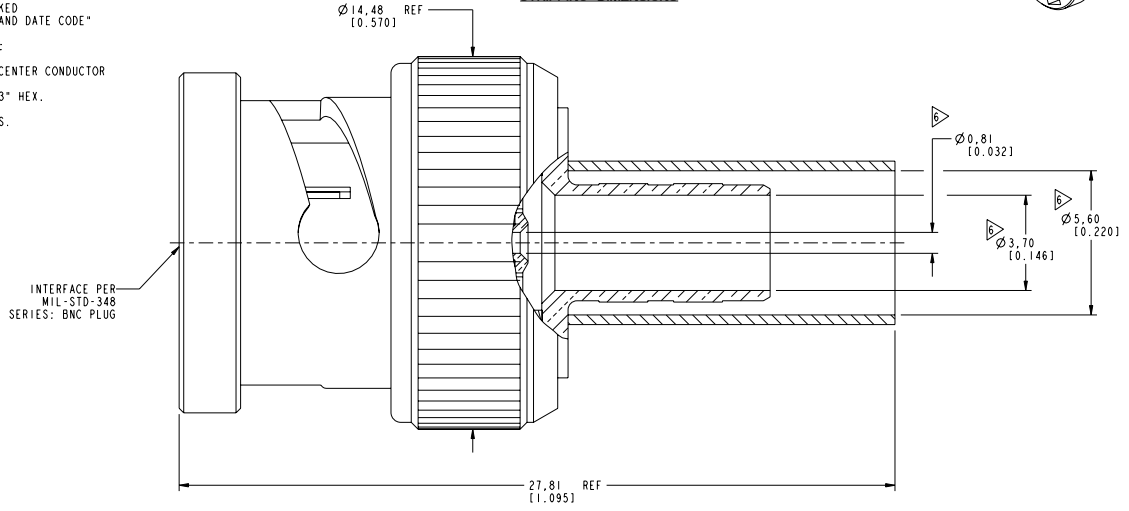
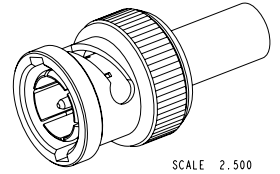
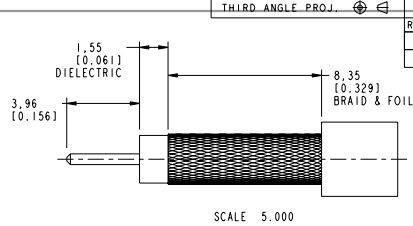
Click to view price, real time Inventory, Delivery & Lifecycle Information:

[Amphenol RF](#)  
[031-70466](#)

For any questions, you can email us directly:

[sales@integrated-circuit.com](mailto:sales@integrated-circuit.com)

- NOTES:
- MATERIALS AND FINISHES:**  
 OUTER CONTACT - PHOSPHOR BRONZE, NICKEL PLATING  
 CONTACT - BRASS, GOLD PLATING  
 COUPLING NUT - BRASS, NICKEL PLATING  
 INSULATOR - PTFE
  - ELECTRICAL:**  
 A. IMPEDANCE: 75 OHM  
 B. FREQUENCY RANGE: DC - 4 GHz  
 C. RETURN LOSS: -30 dB MIN AT 4 GHz  
 D. DIELECTRIC WITHSTANDING VOLTAGE: 1500 VRMS, MIN.
  - MECHANICAL:**  
 A. DURABILITY: 500 CYCLES MIN.  
 B. TEMPERATURE RANGE: -65° C TO +165° C
  - PACKAGING:**  
 A. QUANTITY: SINGLE PACK  
 B. MARKING: BAG TO BE MARKED  
 "AMPHENOLRF, 31-70466, AND DATE CODE"
  - CABLE ASSEMBLY INSTRUCTIONS:**  
 A. TRIM CABLE AS SHOWN.  
 B. CRIMP CONTACT TO CABLE CENTER CONDUCTOR  
 WITH .042" SQUARE DIE.  
 C. CRIMP FERRULE WITH 0.213" HEX.
- ▷ SHOWS CABLE ENTRY DIMENSIONS.



**CUSTOMER OUTLINE DRAWING**  
 ALL OTHER SHEETS ARE FOR INTERNAL USE ONLY

UNLESS OTHERWISE SPECIFIED, DIMENSIONS ARE IN METRIC AND TOLERANCES ARE: <0.5mm ±0.05mm    0.5 - 6mm ±0.1mm    6 - 30mm ±0.2mm    30 - 120mm ±0.3mm    ANGLES ±1° NOTICE - These drawings, specifications, or other data (1) are, and remain the property of Amphenol Corp. (2) must be returned upon request; and (3) are confidential and not to be disclosed to any person other than those to whom they are given by Amphenol Corp. The finishing of these drawings, specifications, or other data by Amphenol Corp., or to any other person for any purpose is not to be regarded by implication or otherwise in any manner licensing, granting rights to permitting such holder or any other person to manufacture, use or sell any product, process or design, patented or otherwise, that may in any way be related to or disclosed by said drawings, specifications, or other data.	<b>MATERIAL</b> SEE NOTES  <b>REFERENCE</b> EAR # 4068 CONFIGURATION LEVEL: :XXXXZHXBIGCC:  <b>FINISH</b>	<b>DRAWN</b> C. WANG  <b>ENGINEER</b> A. ARUN PRABU	<b>DATE</b> 08-Oct-10  <b>DATE</b> 20-May-10	<b>TITLE</b> BNC STR PLUG TFC HD 210 CABLE  SCALE: 7.0:1.0 SHEET 2 OF 2 DWG SIZE B REV B	<b>Amphenol RF</b> Danbury CT USA, Tainan, Taiwan, Shenzhen, China www.amphenolrf.com  DRAWING NO. 31-70466 ITEM NO. 31-70466 PART NO. 31-70466
		<b>APPROVED</b> S. HSIEH  <b>CAD FILE</b> Root Folder/BNC/31-70466	<b>DATE</b> 12-Oct-10		