

## Excellent Integrated System Limited

Stocking Distributor

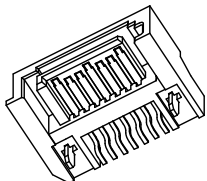
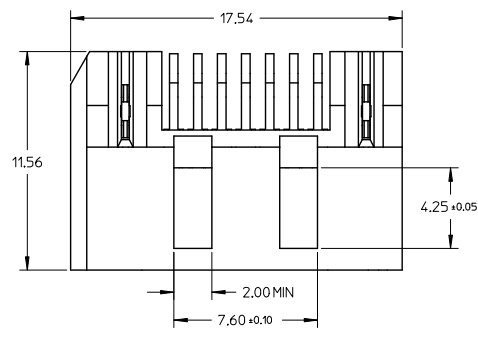
Click to view price, real time Inventory, Delivery & Lifecycle Information:

[Molex Connector Corporation](#)  
[0470804001](#)

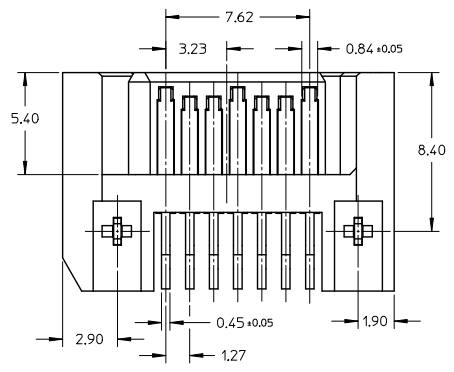
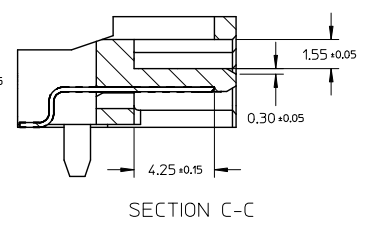
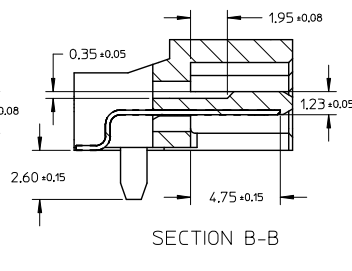
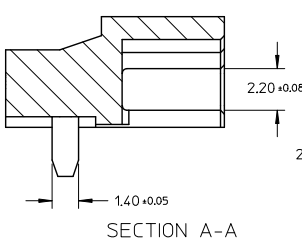
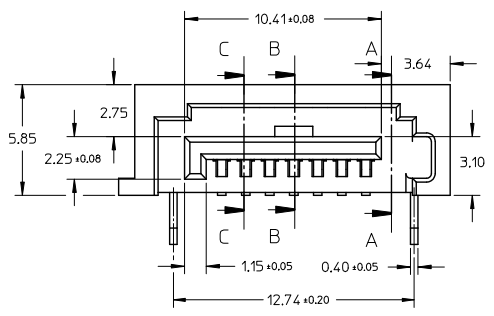
For any questions, you can email us directly:

[sales@integrated-circuit.com](mailto:sales@integrated-circuit.com)

10 9 8 7 6 5 4 3 2 1

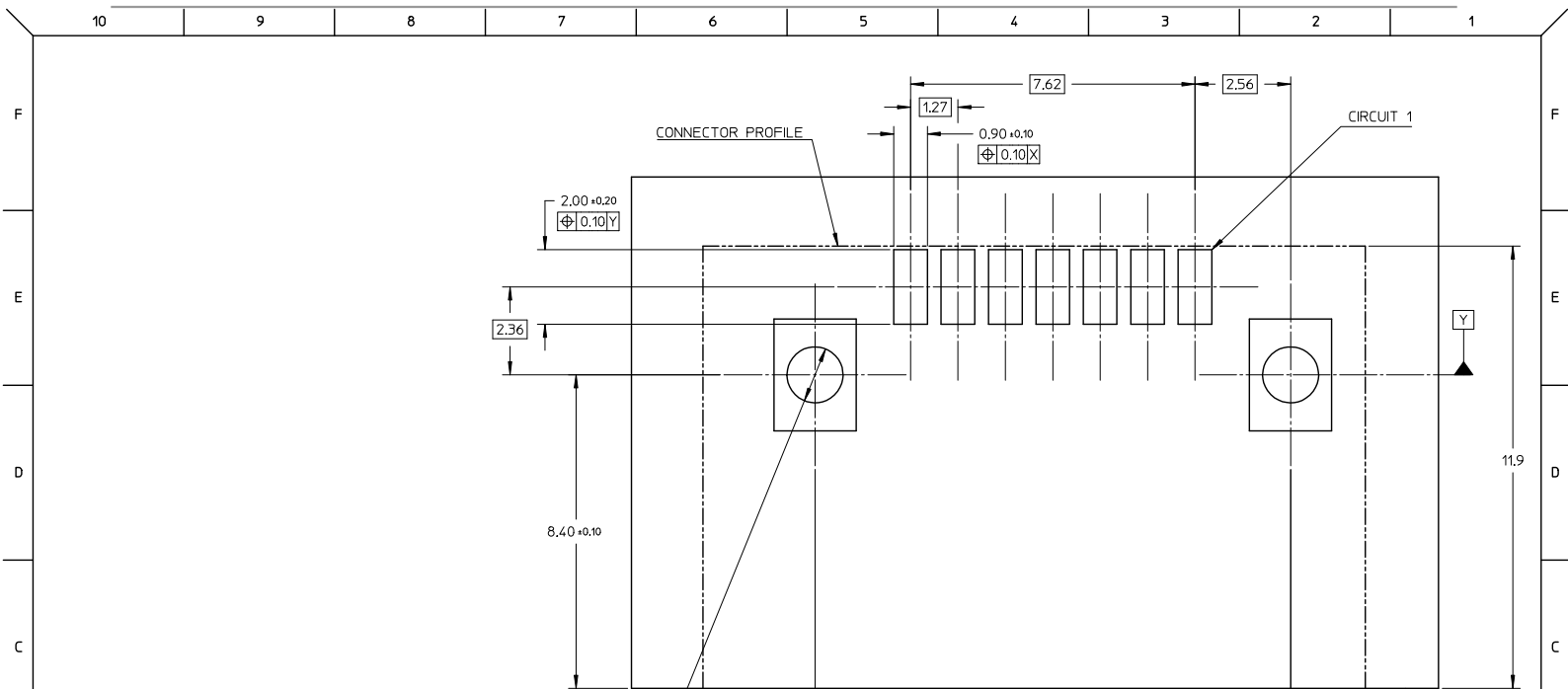


- NOTES:
- MATERIAL:  
HOUSING: HIGH TEMPERATURE PLASTIC, GLASS FILLED, UL94V-0, COLOR: SEE CHART,  
TERMINAL PEG: COPPER ALLOY,  
MYLAR: ADHESIVE TAPE.
  - TERMINAL AND PEG PLATING:  
CONTACT AREA: GOLD PLATED ON 1.25 MICRONS MINIMUM NICKEL UNDER PLATE,  
REFERRED TO PLATING TYPE LIST IN TABLE,  
SOLDER AREA: 127 MICRONS PURE TIN PLATED ON 1.25 MICRONS  
MINIMUM NICKEL UNDER PLATE, REFERRED TO REMARK IN TABLE.
  - PRODUCT SPECIFICATION REFER TO PS-67490-001.
  - MATING PART: 67489.
  - PRODUCT COMPLIANT TO RoHS DIRECTIVE 2002/95/EC AND ELV 2000/53/EC.



<b>OBsolete PART</b> EC NO. SH2012-0231 DRAWING: LI CHKD: XZhang APPR: ATIN 2012/01/17 2012/01/17 2012/01/20	QUALITY SYMBOLS ▽=0 ▽=0	GENERAL TOLERANCES (UNLESS SPECIFIED)		DIMENSION STYLE MM ONLY		SCALE 1:1	DESIGN UNITS METRIC	THIRD ANGLE PROJECTION		
		4 PLACES ± --- ± ---	3 PLACES ± --- ± ---	2 PLACES ± 0.15 ± ---	1 PLACE ± 0.25 ± ---	ANGULAR ± 1°	DRAWN BY GRATE MA DATE 2004/06/14	CHECKED BY GRATE MA DATE 2004/06/14	APPROVED BY VINCENT DATE 2004/06/14	TITLE SATA SYSTEM PLUG PEG INSERT TYPE WITH SHROUD
		DRAFT WHERE APPLICABLE MUST REMAIN WITHIN DIMENSIONS			MATERIAL NO. SEE SHEET 2	MOLEX INCORPORATED	DOCUMENT NO. SD-47080-001	SHEET NO. 1 OF 2		
		THIS DRAWING CONTAINS INFORMATION THAT IS PROPRIETARY TO MOLEX INCORPORATED AND SHOULD NOT BE USED WITHOUT WRITTEN PERMISSION								

9 8 7 6 5 4 3 2 1



RECOMMENDED P.C.B LAYOUT  
THICKNESS: 1.60 +/- 0.05

PART NO	PLATING TYPE	PLASTIC COLOR	REMARK
47080-4001	GOLD FLASH	BLACK	BRIGHT TIN
47080-4002	GOLD PLATED 0.76 MICRONS		
47080-4005	GOLD PLATED 0.38 MICRONS		
47080-6001	GOLD FLASH	PROCESS BLUE C	MATTE TIN
47080-6002	GOLD PLATED 0.76 MICRONS	DELTA E<3	
47080-6005	GOLD PLATED 0.38 MICRONS		
47080-1010	GOLD FLASH	BLACK	
47080-1020	GOLD PLATED 0.76 MICRONS		
47080-1030	GOLD PLATED 0.38 MICRONS		
47080-2010	GOLD FLASH	NATURE COLOR	
47080-2020	GOLD PLATED 0.76 MICRONS		
47080-2030	GOLD PLATED 0.38 MICRONS		
47080-3010	GOLD FLASH	PROCESS BLUE C	MATTE TIN
47080-3020	GOLD PLATED 0.76 MICRONS	DELTA E<3	
47080-3030	GOLD PLATED 0.38 MICRONS		

OBSOLETE PART EC NO: SH2012-0231	DRAWING DRWINGLI	DATE 2012/01/17	DESCRIPTION CHKD:XIZHANG	APPR:AYIN	REV	QUALITY SYMBOLS ▽=0	GENERAL TOLERANCES (UNLESS SPECIFIED)		DIMENSION STYLE MM ONLY		SCALE 1:1	DESIGN UNITS METRIC	THIRD ANGLE PROJECTION
							mm	INCH	DRAWN BY	DATE			
						▽=0	4 PLACES	± ---	± ---	GRATE MA	2004/06/14	SATA SYSTEM PLUG PEG INSERT TYPE WITH SHROUD	
						▽=0	3 PLACES	± ---	± ---	CHECKED BY	DATE	MOLEX INCORPORATED	
							2 PLACES	± 0.15	± ---	GRATE MA	2004/06/14	MATERIAL NO. SD-47080-001	
							1 PLACE	± 0.25	± ---	APPROVED BY	DATE	SHEET NO. 2 OF 2	
							ANGULAR ± 1°		VINCENT		2004/06/14	DOCUMENT NO. SD-47080-001	
DRAFT WHERE APPLICABLE MUST REMAIN WITHIN DIMENSIONS							SEE TABLE		THIS DRAWING CONTAINS INFORMATION THAT IS PROPRIETARY TO MOLEX INCORPORATED AND SHOULD NOT BE USED WITHOUT WRITTEN PERMISSION				