

## Excellent Integrated System Limited

Stocking Distributor

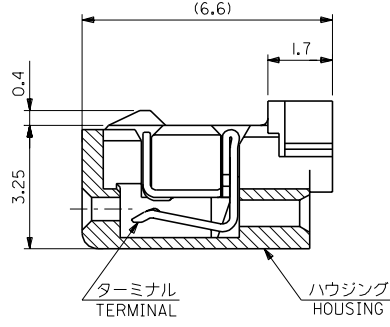
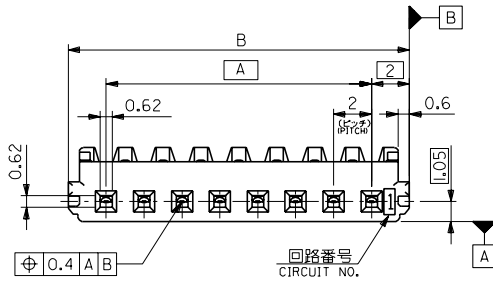
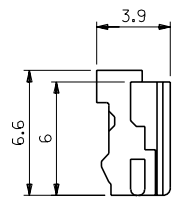
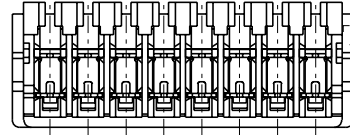
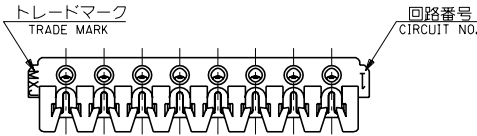
Click to view price, real time Inventory, Delivery & Lifecycle Information:

[Molex Connector Corporation](#)  
[0524840210](#)

For any questions, you can email us directly:

[sales@integrated-circuit.com](mailto:sales@integrated-circuit.com)

DWG. NO. SD-52484-008  
DO NOT SCALE DRAWING



ターミナル装着状態図  
FIGURE OF TERMINAL WHEN ASSEMBLED  
(SCALE : 10-1)

- 注記 NOTES
- 嵌合相手: 53324-\*\*\*0, 53325-\*\*\*0, 53358-\*\*\*0, 53401-\*\*\*0  
MATES WITH
  - 材質 MATERIAL  
ハウジング: ガラス入り66ナイロン, UL94V-0, 色: 表参照  
HOUSING: GLASS FILLED 66 NYLON, UL94V-0, COLOR: SEE CHART  
ターミナル: りん青銅, 鍍メッキ (t=0.2)  
TERMINAL: PHOSPHOR BRONZE, PRE-TINNED (t=0.2)
  - 適合クリップ: 51094-\*\*05  
APPLICABLE CLIP

製品番号 MATERIAL NO. 52484-\*\*\*1\*

極数 CIRCUIT SIZE	色 COLOR
	ナチュラル (白) NATURAL (WHITE)
	赤 RED
	黄 YELLOW
	青 BLUE

32	28	52484-151*	15	52484-***1*
30	26	-141*	14	
28	24	-131*	13	
26	22	-121*	12	
24	20	-111*	11	
22	18	-101*	10	
20	16	-091*	9	
18	14	-081*	8	
16	12	-071*	7	
14	10	-061*	6	
12	8	-051*	5	
10	6	-041*	4	
8	4	-031*	3	
6	2	52484-021*	2	
B	A	製品番号 MATERIAL NO.	極数 CIRCUIT	MODEL NO.

EC NO.	DRWN: CHK: APPR:	EC NO.	DRWN: CHK: APPR:	EC NO.	DRWN: CHK: APPR:	EC NO.	DRWN: CHK: APPR:	REV.	DESCRIPTION	MATERIAL 材料		GENERAL TOLERANCES: (UNLESS SPECIFIED) 一般公差		SCALE 5-1	DESIGN UNITS mm INCH	THIRD ANGLE PROJECTION	DIMENSIONS: mm INCH mm ONLY	SHT REV
										FINISH 仕上り	WIRE RANGE 通用電線範囲	INS. RANGE 被覆外径	ANGLE 角度					
8		7		6		0	RELEASED			注参照 SEE NOTES	10 UNDER 未満	±0.2	DRAWN BY & DATE R Kobayashi 00/05/07	5-1	mm	THIRD ANGLE PROJECTION	mm INCH mm ONLY	SHT REV
										注参照 SEE NOTES	10 OVER 以上 30 UNDER 未満	±0.25	CHECKED BY & DATE 00/05/07				2.0 W/B CONN. IDT REC. HS'G ASS'Y	
										AWG #26-#28	30 OVER 以上	±0.3	APPROVED BY & DATE 00/05/07				MOLEX INCORPORATED	
										∅1.05 MAX.		±3°	CAD FILENAME 52484008.SOI				SEE CHART	