

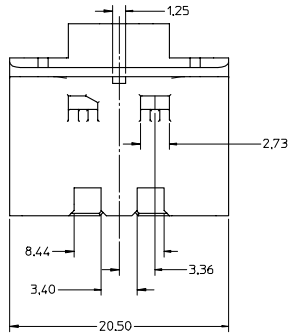
Excellent Integrated System Limited

Stocking Distributor

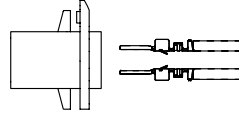
Click to view price, real time Inventory, Delivery & Lifecycle Information:

[Molex Connector Corporation](#)
[0456260001](#)

For any questions, you can email us directly:
sales@integrated-circuit.com



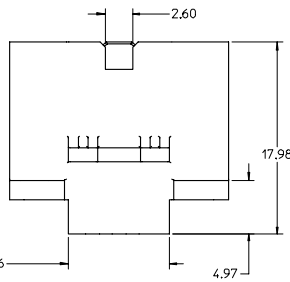
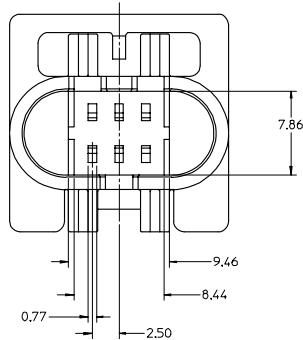
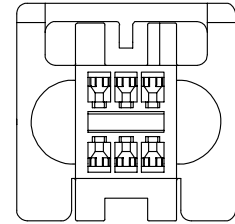
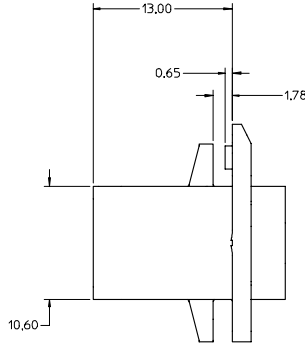
TERMINALS TO BE ORIENTED AND LOADED INTO THE HOUSING AS SHOWN BELOW



Partial1
SCALE 2:1

NOTES:

1. MATERIAL: POLYESTER. UL94V-0. COLOR: BLACK.
2. PRODUCT CONFORMS TO PRODUCT SPECIFICATION PS-45779-001.
3. USES MALE CRIMP TERMINALS SERIES 45627.
4. PART MATES WITH MOLEX RECEPTACLE SERIES 45579.
5. PACKAGING: BULK.
6. SEE PAGE 2 OF 2 FOR PANEL CUTOUT DIMENSIONS AND THE ALLOWED PANEL TO PANEL MISALIGNMENT.
7. USE MOLEX EXTRACTION TOOL 63813-1400 TO REMOVE TERMINAL WITHOUT DAMAGING THE PLUG CORE. RELOAD PLUG CORE WITH NEW TERMINAL ONLY. REMOVED TERMINAL AFTER EXTRACTION IS NOT USABLE.



EIC NO: UCP2005-2128 DRAWN: CARRANZOS/04/05 CHKD: 2005/04/05 APPR: COMERC/2005/04/08	QUALITY SYMBOLS ▽-0 ▽-0	GENERAL TOLERANCES (UNLESS SPECIFIED)	SCALE 4:1	DESIGN UNITS METRIC	THIRD ANGLE PROJECTION	REVISE ON CAD ONLY
		4 PLACES ± --- ± --- 3 PLACES ± --- ± --- 2 PLACES ± 0.13 ± --- 1 PLACE ± 0.25 ± --- ANGULAR ± 1/2°	DIMENSION STYLE MM ONLY	DRAWN BY KSTILES	DATE 10/25/2003	TITLE SPOX BMI PLUG HOUSING 6 CIRCUIT REAR ENTRY PANEL MOUNT
A2	DRAFT WHERE APPLICABLE MUST REMAIN WITHIN DIMENSIONS	APPROVED BY DATE	MATERIAL NO. 45626-0001	DOCUMENT NO. SD-45626-001	THIS DRAWING CONTAINS INFORMATION THAT IS PROPRIETARY TO MOLEX INCORPORATED AND SHOULD NOT BE USED WITHOUT WRITTEN PERMISSION	

