

## Excellent Integrated System Limited

Stocking Distributor

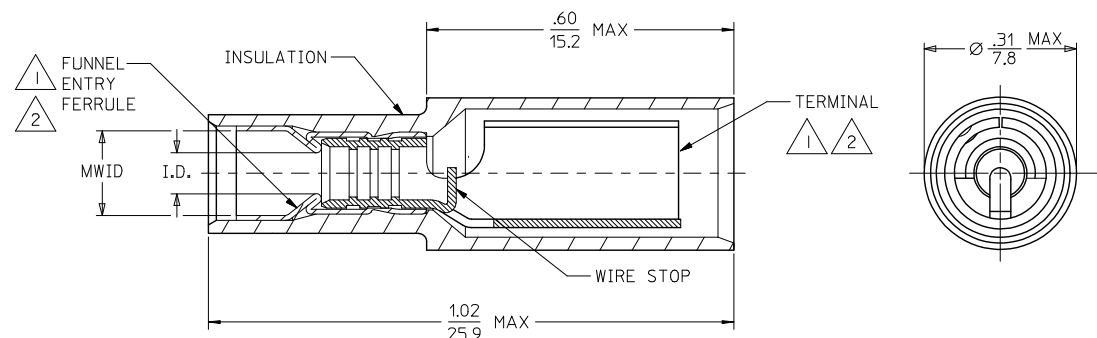
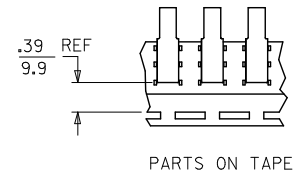
Click to view price, real time Inventory, Delivery & Lifecycle Information:

[Molex Connector Corporation](#)  
[0190390002](#)

For any questions, you can email us directly:

[sales@integrated-circuit.com](mailto:sales@integrated-circuit.com)

10	9	8	7	6	5	4	3	2	19039	
MATERIAL NUMBER	ENGINEERING NUMBER	TAPE MATERIAL NUMBER	TAPE ENGINEERING NUMBER	WIRE RANGE AWG	MM <sup>2</sup>	INSULATION HOUSING MATERIAL	INSULATION COLOR	FITS MALE PLUG DIA.	I.D. (B2) MIN.	MWID
190390001	BRA-8156	190390026	BRA-8156T	22-18	0.25-1.3	PVC	RED	.156/(3.96)	.062/(1.57)	.125/(3.18)
190390002	BRA-8156N	190390015	BRA-8156NT	22-18	0.25-1.3	NYLON	LIGHT RED	.156/(3.96)	.062/(1.57)	.125/(3.18)
190390003	BRA-8156NDK			22-18	0.25-1.3	NYLON	DARK RED	.156/(3.96)	.062/(1.57)	.125/(3.18)
190390004	BRA-8180	190390029	BRA-8180T	22-18	0.25-1.3	PVC	RED	.180/(4.57)	.062/(1.57)	.125/(3.18)
190390005	BRA-8180N	190390017	BRA-8180NT	22-18	0.25-1.3	NYLON	RED	.180/(4.57)	.062/(1.57)	.125/(3.18)
190390006	BRB-8156	190390023	BRB-8156T	16-14	1.0-2.6	PVC	BLUE	.156/(3.96)	.085/(2.16)	.145/(3.68)
190390007	BRB-8156N	190390016	BRB-8156NT	16-14	1.0-2.6	NYLON	LIGHT BLUE	.156/(3.96)	.085/(2.16)	.145/(3.68)
190390008	BRB-8156NDK			16-14	1.0-2.6	NYLON	DARK BLUE	.156/(3.96)	.085/(2.16)	.145/(3.68)
190390009	BRB-8180	190390030	BRB-8180T	16-14	1.0-2.6	PVC	BLUE	.180/(4.57)	.085/(2.16)	.145/(3.68)
190390010	BRB-8180N	190390018	BRB-8180NT	16-14	1.0-2.6	NYLON	BLUE	.180/(4.57)	.085/(2.16)	.145/(3.68)



- NOTES:
- 1. MATERIAL: BRASS
  - 2. FINISH: ELECTRO-TIN PLATING
  - 3. INSULATION MATERIAL: SEE CHART
  - 4. MWID - MAXIMUM WIRE INSULATION DIAMETER
  - 5. PARTS ARE ROHS COMPLIANT.

SALES DRAWING

BRA ID TOLERANCE E.C. NO: WNA2012-0253 DRAWN BY: DR. W. THRODAHL 2011/11/16 CHKD: JMACNEIL 2011/11/16 APPR: JMACNEIL 2014/02/07 REV B2	QUALITY SYMBOLS ▽=0 ▽=0	GENERAL TOLERANCES (UNLESS SPECIFIED) mm INCH 4 PLACES ± --- ± --- 3 PLACES ± --- ± .005 2 PLACES ± 0.13 ± .01 1 PLACE ± 0.25 ± --- ANGULAR ± ---°	DIMENSION STYLE IN/MM DRAWN BY: BRE DATE: 2002/07/15 CHECKED BY: HEB DATE: 2002/07/15 APPROVED BY: JMACNEIL DATE: 2010/11/11 MATERIAL NO.	SCALE --- DESIGN UNITS INCH THIRD ANGLE PROJECTION	TITLE AVIKRIMP FEMALE BULLET RECEPTACLE
	DRAFT WHERE APPLICABLE MUST REMAIN WITHIN DIMENSIONS		MOLEX INCORPORATED DOCUMENT NO. SD-19039-001 SHEET NO. 1 OF 1	THIS DRAWING CONTAINS INFORMATION THAT IS PROPRIETARY TO MOLEX INCORPORATED AND SHOULD NOT BE USED WITHOUT WRITTEN PERMISSION	