

Excellent Integrated System Limited

Stocking Distributor

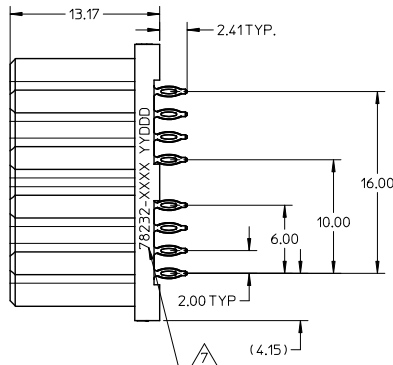
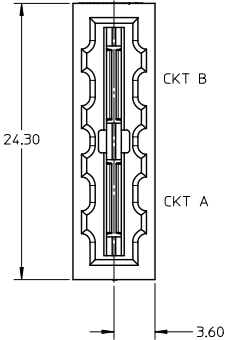
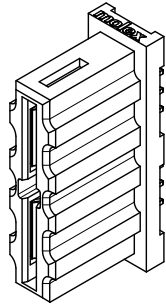
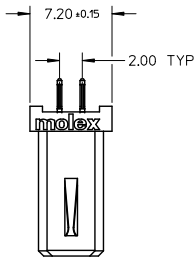
Click to view price, real time Inventory, Delivery & Lifecycle Information:

[Molex Connector Corporation](#)
[0782321001](#)

For any questions, you can email us directly:

sales@integrated-circuit.com

10 9 8 7 6 5 4 3 2 1



NOTES

- MATERIALS :**
 - HOUSING - LCP, GLASS FILLED, UL94-V0, COLOR: BLACK.
 - POWER PIN - COPPER ALLOY
- FINISHES :**
 - 0.76 MICROMETER MINIMUM GOLD AT CONTACT AREA AND 2.54 MICROMETER MINIMUM TIN AT SOLDER TAIL AREA OVER 1.27um MINIMUM NICKEL UNDERPLATE.

- PRODUCT SPECIFICATION:** PS-78231-006.
- COMPONENT STAY AWAY ZONE FROM CONNECTOR.
- PCB NOTE FOR PLATED HOLE.

TYPE OF PLATED HOLE	DRILLED HOLE SIZE	PLATING THICKNESS	PLATED HOLE SIZE *DIM H*
TIN	0.838	0.007 MIN TIN/SILVER OVER 0.03 TO 0.08 COPPER PLATING	0.725±0.075
SILVER	0.863		0.750±0.050

SEE SHEET 2 AND 3 FOR RECOMMENDED PCB LAYOUT.

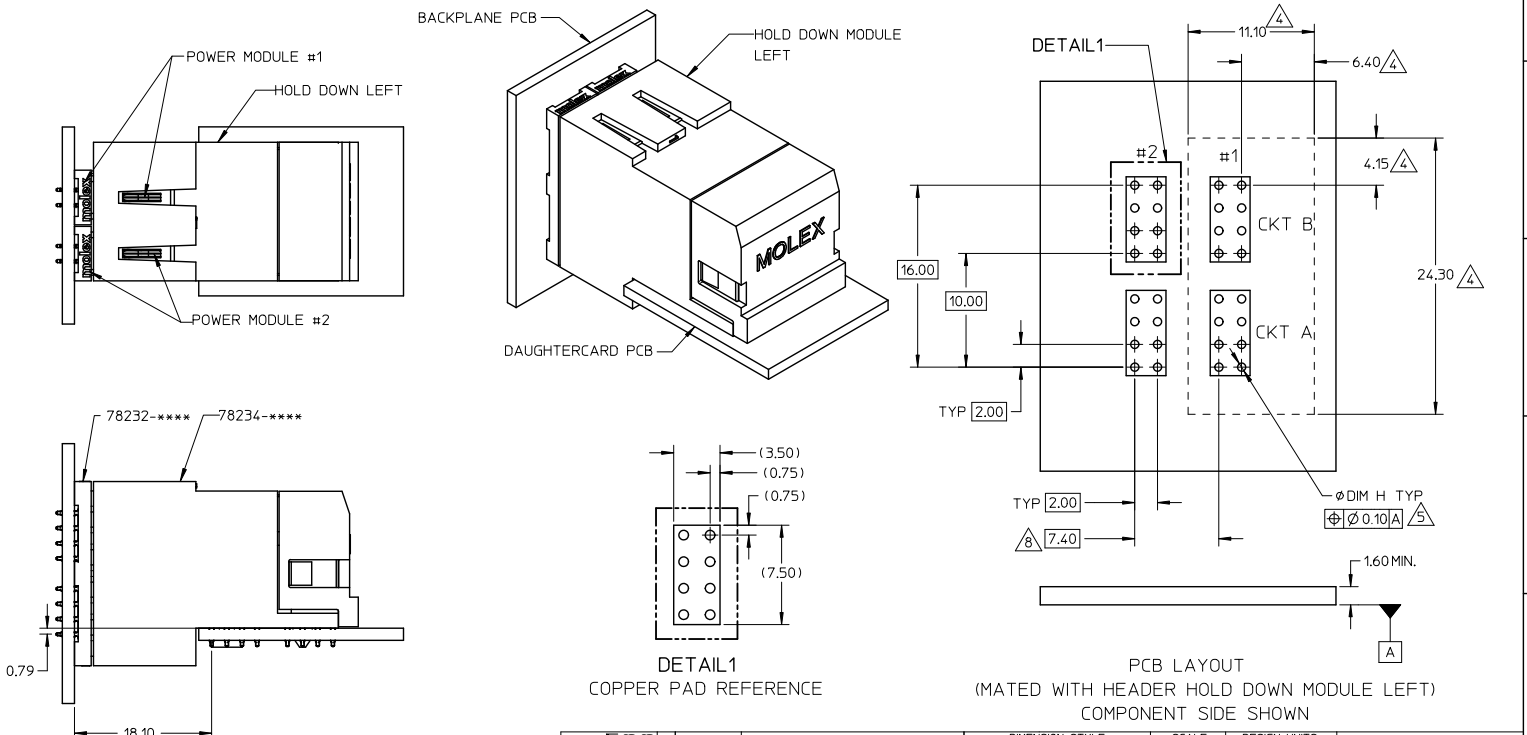
- MATES WITH 78234-****.
- PART NUMBER AND YEAR-WK CODE.
- ADJACENT POWER MODULE PITCH.
- PACKAGING PROCEDURE AS PER PK-78232-001.

REMOVE PB/SN EC NO: S2012-0580 DRAWN: SHONG CHK: LING APPR: NAGESHKN 2012/01/13 2012/02/13 2012/02/13	QUALITY SYMBOLS	GENERAL TOLERANCES (UNLESS SPECIFIED)	DIMENSION STYLE	SCALE	DESIGN UNITS	THIRD ANGLE PROJECTION	
	▼=0 ▽=0	mm INCH 4 PLACES ± --- ± --- 3 PLACES ± --- ± --- 2 PLACES ± 0.25 ± --- 1 PLACE ± --- ± --- ANGULAR ± 3 °	MM ONLY	NTS	METRIC	☉ □ THIRD ANGLE PROJECTION	
	DRAWN BY: SHONG CHECKED BY: LNG APPROVED BY: NAGESHKN DATE: 2006/08/15 DATE: 2006/08/25 DATE: 2012/01/06	DRAFT WHERE APPLICABLE MUST REMAIN WITHIN DIMENSIONS	MATERIAL NO. 78232-1001	TITLE I-TRAC POWER, 11 ROW VERTICAL RECEPTACLE PRESS-FIT	MOLEX INCORPORATED	SHEET NO. 1 OF 3	
	DOCUMENT NO. SD-78232-011	THIS DRAWING CONTAINS INFORMATION THAT IS PROPRIETARY TO MOLEX INCORPORATED AND SHOULD NOT BE USED WITHOUT WRITTEN PERMISSION					

9 8 7 6 5 4 3 2 1

10 9 8 7 6 5 4 3 2 1

MATED DIMENSIONS AND PCB LAYOUT WITH HEADER HOLD DOWN LEFT

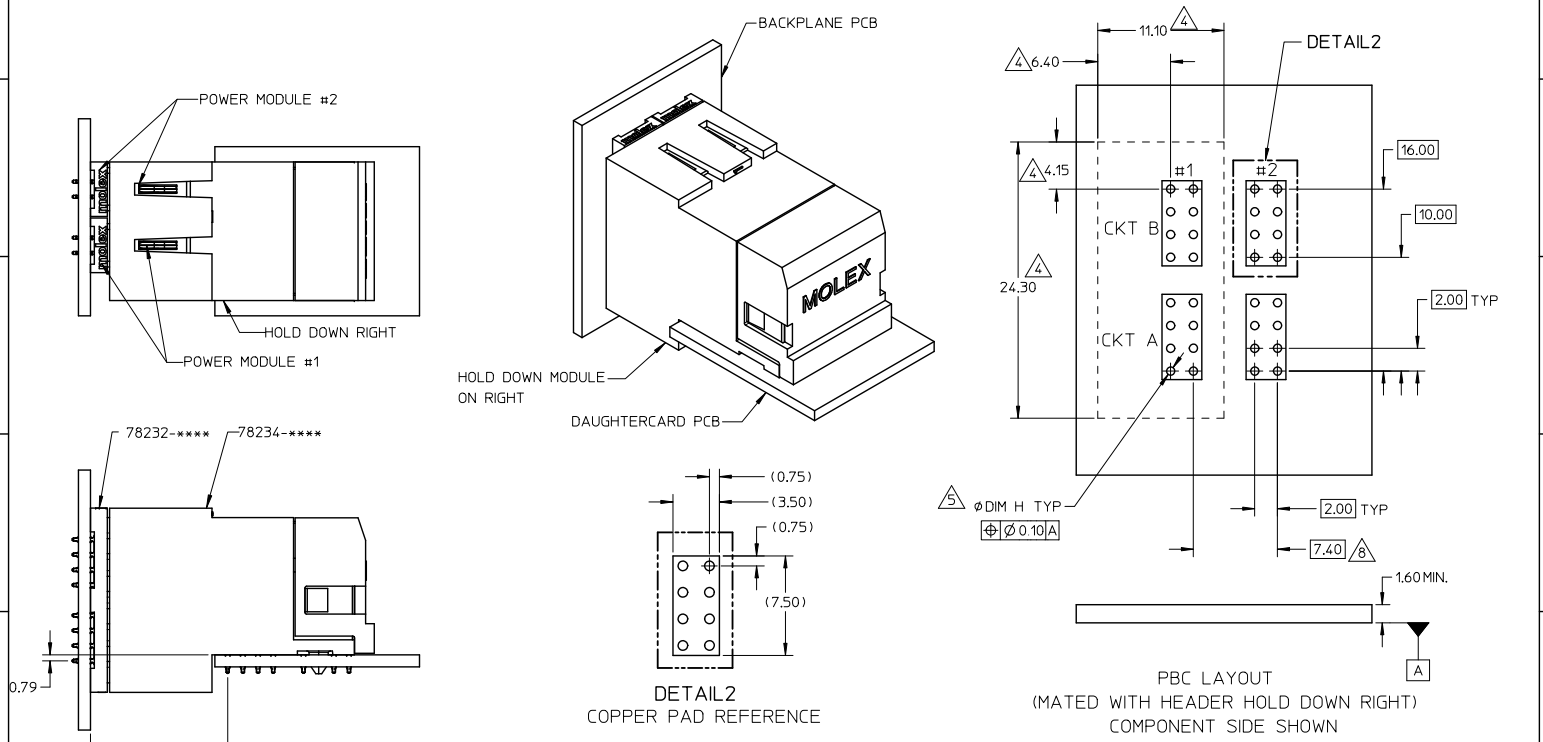


MATED SYSTEM FOR 78232 & 78234

REMOVE PB/SN EC. NO.: S2012-0580 DRAWN: SHONG CHKD: LING APPR: NAGESHK N 2012/01/13 2012/02/13 2012/02/13	QUALITY SYMBOLS ▽=0 ▽=0	GENERAL TOLERANCES (UNLESS SPECIFIED)		DIMENSION STYLE MM ONLY		SCALE NTS	DESIGN UNITS METRIC	THIRD ANGLE PROJECTION
		4 PLACES ± --- ± --- 3 PLACES ± --- ± --- 2 PLACES ± 0.25 ± --- 1 PLACE ± --- ± --- ANGULAR ± 3 °	DRAWN BY SHONG DATE 2006/08/15	CHECKED BY LNG DATE 2006/08/25	TITLE I-TRAC POWER, 11 ROW VERTICAL RECEPTACLE PRESS-FIT		MOLEX INCORPORATED	
DRAFT WHERE APPLICABLE MUST REMAIN WITHIN DIMENSIONS	MATERIAL NO. 78232-1001	APPROVED BY NAGESHK N DATE 2012/01/06	DOCUMENT NO. SD-78232-011		THIS DRAWING CONTAINS INFORMATION THAT IS PROPRIETARY TO MOLEX INCORPORATED AND SHOULD NOT BE USED WITHOUT WRITTEN PERMISSION			

9 8 7 6 5 4 3 2 1

MATED DIMENSIONS AND PCB LAYOUT WITH HEADER HOLD DOWN RIGHT



MATED SYSTEM FOR 78232 & 78234

REMOVE PB/SN EC NO: S2012-0580 DRAWN: SHONG CHK: LING APPR: NAGESHK 2012/01/13 2012/02/13 2012/02/13	DESCRIPTION A1	QUALITY SYMBOLS ▽=0 ▽=0	GENERAL TOLERANCES (UNLESS SPECIFIED) 4 PLACES ± --- ± --- 3 PLACES ± --- ± --- 2 PLACES ± 0.25 ± --- 1 PLACE ± --- ± --- ANGULAR ± 3°	DIMENSION STYLE MM ONLY	SCALE NTS	DESIGN UNITS METRIC	THIRD ANGLE PROJECTION
	DRAWN BY: SHONG DATE: 2006/08/15 CHECKED BY: LNG DATE: 2006/08/25 APPROVED BY: NAGESHK DATE: 2012/01/06		MATERIAL NO.: 78232-1001		TITLE: I-TRAC POWER, 11 ROW VERTICAL RECEPTACLE PRESS-FIT		MOLEX INCORPORATED
	DRAFT WHERE APPLICABLE MUST REMAIN WITHIN DIMENSIONS		DOCUMENT NO.: SD-78232-011		SHEET NO.: 3 OF 3		
	THIS DRAWING CONTAINS INFORMATION THAT IS PROPRIETARY TO MOLEX INCORPORATED AND SHOULD NOT BE USED WITHOUT WRITTEN PERMISSION						