

Excellent Integrated System Limited

Stocking Distributor

Click to view price, real time Inventory, Delivery & Lifecycle Information:

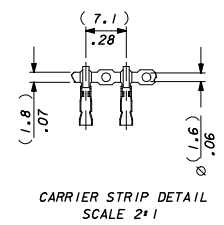
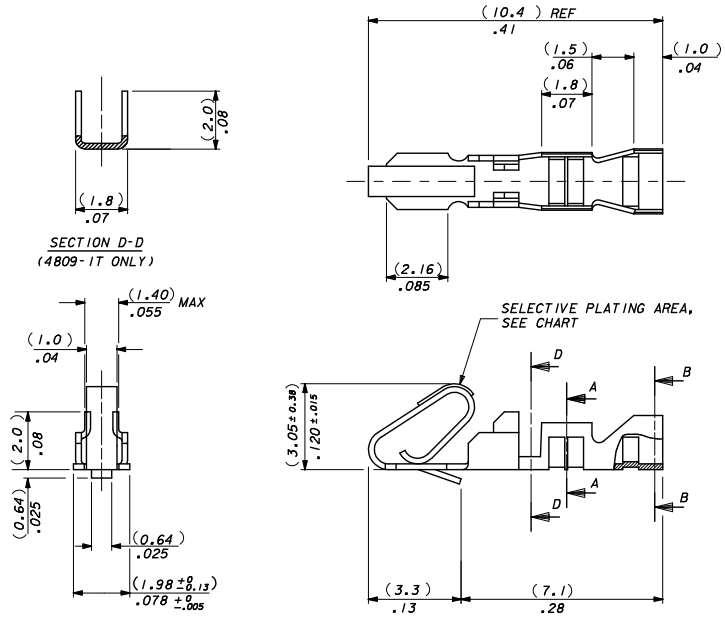
[Molex Connector Corporation](#)
[0008560120](#)

For any questions, you can email us directly:

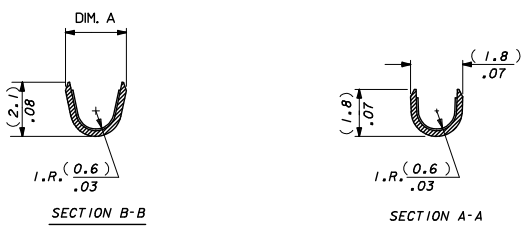
sales@integrated-circuit.com

NOTES:

1. MATERIAL: (0.21)/.008 THICK BRASS.
2. FINISH: SEE SHEET 2.
3. THIS PART CONFORMS TO PRODUCT SPEC. 99020-0088.
4. TERMINAL MUST MEET BEND SPEC. SDES-219.
5. SUITABLE FOR 22-30 GA. WIRE, (1.57)/.062 MAX. INSULATION.
6. THIS PART CONFORMS TO CLASS B REQUIREMENTS OF COSMETIC SPECIFICATION PS-45499-002.



4809-(*) * *
 * BLANK : DIM. A = (2.1) / 1.083 REF.
 M: DIM A = (2.2) / .087 REF.
 BLANK*CHAIN FORM TOP
 FEEDING REEL
 L-LOOSE FORM



SELECT GOLD AREA EC NO: UCP2013-5411 DRAWN: KIPPER 2013/06/14 CHKD: BELL 2013/06/17 APPROV: SMITH 2013/06/28	QUALITY SYMBOLS ▽=0 ▽=0 ▽=0	GENERAL TOLERANCES (UNLESS SPECIFIED)	DIMENSION STYLE MM/IN	SCALE 10:1	DESIGN UNITS METRIC	THIRD ANGLE PROJECTION
		4 PLACES ± --- ± --- 3 PLACES ± --- ± .010 2 PLACES ± 0.25 ± .014 1 PLACE ± 0.35 ± --- 0 PLACE ± ±	DRAWN BY MCC	DATE 1986/07/30	TITLE ANTI-FISH HOOKING TERMINAL KK.(2.50)/.100	molex
AN	REV	ANGULAR ± --- ° DRAFT WHERE APPLICABLE MUST REMAIN WITHIN DIMENSIONS	SEE CHART	MATERIAL NO.	DOCUMENT NO. SD-4809-*	SHEET NO. 1 OF 2

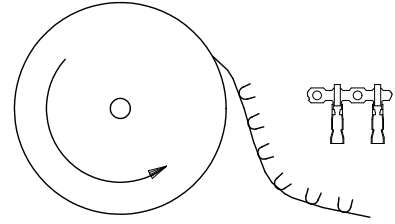
FINISH NOTES*

(550) GOLD PLATE (0.00038)/.000015 MIN. OVER (0.00076)/.000030 MIN. NICKEL

IN CONTACT AREA WITH (0.00005)/.000002 MIN. GOLD FLASH OVERALL.

(555) SELECTIVE GOLD (0.00038)/.000015 MIN. OVER (0.00076)/.000030 MIN. NICKEL IN CONTACT AREA ONLY.

(P918) HOT TIN DIP (0.00102-0.00305)/.000040-.000120



TERMINALS FEEDING FROM THE TOP OF THE REEL ARE STANDARD WOUND

08-55-0110	4809-(555)	CHAIN	(555)	(2.45 - 1.75)/.096 - .069
08-55-0111	↑ -(555)L	LOOSE		
08-56-0120	-(550)	CHAIN	(550)	(2.45 - 1.75)/.096 - .069
08-56-0115	-(550)L	LOOSE		
08-50-0135	↓ -(P918)	CHAIN	(P918)	(2.45 - 1.75)/.096 - .069
08-50-0136	4809 - (P918) L	LOOSE		
PART No	ENG No	FORM	FINISH	DIM . A

TOP FEEDING REELS ONLY

CORRECT PLATING EC NO: UCP2011-2151 DRAWN/STEWART 2011/01/18 CHECKED/PIPER 2011/01/26 APPROVED/SMITH 2011/02/04 AM REV	QUALITY SYMBOLS 	GENERAL TOLERANCES (UNLESS SPECIFIED)		DIMENSION STYLE MM/IN		SCALE NTS	DESIGN UNITS METRIC	THIRD ANGLE PROJECTION
		4 PLACES ± --- ± ---	DRAWN BY MCC	DATE 1986/07/30	TITLE ANTI-FISH HOOKING TERMINAL KK.(2.50)/.100			
		3 PLACES ± --- ± .010	CHECKED BY DMORIART	DATE 2004/10/18	MOLEX INCORPORATED			
		2 PLACES ± 0.25 ± .014 1 PLACE ± 0.35 ± --- ANGULAR ± ---°	APPROVED BY JOENNEHY	DATE 2004/10/19	MATERIAL NO. SEE CHART	DOCUMENT NO. SD-4809-*	SHEET NO. 2 OF 2	

DRAFT WHERE APPLICABLE MUST REMAIN WITHIN DIMENSIONS

SEE CHART

THIS DRAWING CONTAINS INFORMATION THAT IS PROPRIETARY TO MOLEX INCORPORATED AND SHOULD NOT BE USED WITHOUT WRITTEN PERMISSION