

## Excellent Integrated System Limited

Stocking Distributor

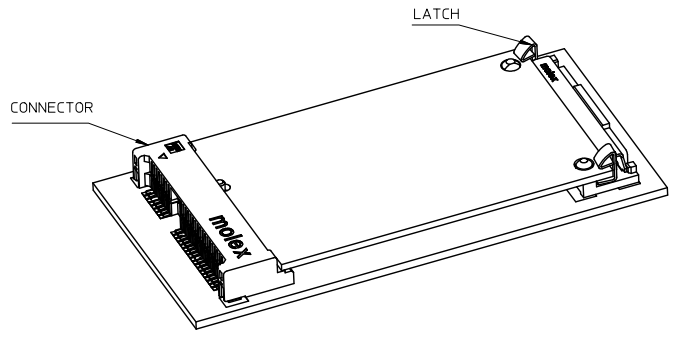
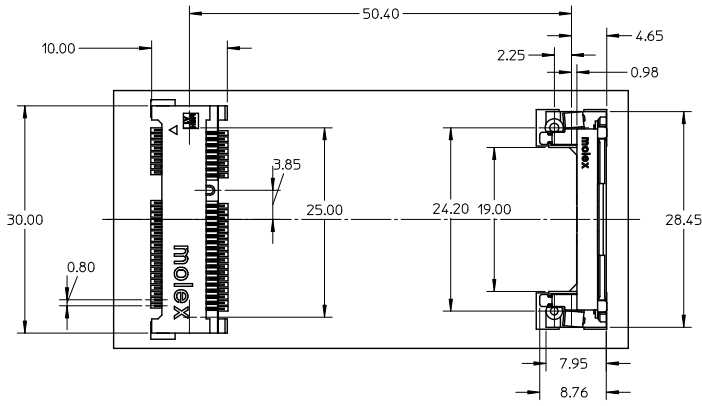
Click to view price, real time Inventory, Delivery & Lifecycle Information:

[Molex Connector Corporation](#)  
[0480995701](#)

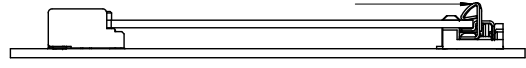
For any questions, you can email us directly:

[sales@integrated-circuit.com](mailto:sales@integrated-circuit.com)

10 9 8 7 6 5 4 3 2 1



PUSH LATCH TO RELEASE MODULE



QUALITY SYMBOLS

	=0
	=0

REV	DESCRIPTION	DATE
G	APPR: NAGESHKN	2010/04/07
F	CHKD: HARVEY	2005/12/14
E	DRWN: WANG25	2010/04/05
D	EC. NO. S2010-0835	

QUALITY SYMBOLS

	=0
	=0
	=0

GENERAL TOLERANCES (UNLESS SPECIFIED)

	mm	INCH
4 PLACES	± ---	± ---
3 PLACES	± ---	± ---
2 PLACES	± 0.25	± ---
1 PLACE	± 0.25	± ---
ANGULAR	± 3 °	

DRAFT WHERE APPLICABLE MUST REMAIN WITHIN DIMENSIONS

DIMENSION STYLE

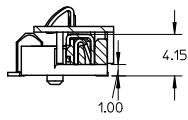
MM ONLY

DRAWN BY	DATE
DAVID HU	2005/12/14
CHECKED BY	DATE
HARVEY	2005/12/14
APPROVED BY	DATE
NAGESHKN	2010/04/07
MATERIAL NO.	480995701

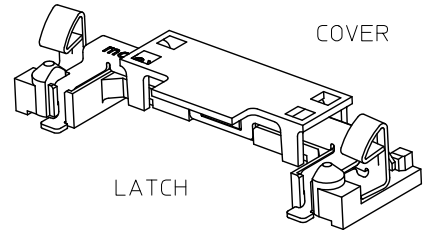
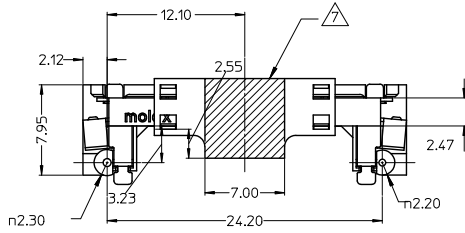
SCALE	NTS	DESIGN UNITS	METRIC	THIRD ANGLE PROJECTION
TITLE				
LATCH FOR MINIPCI-E				
0.8MM PITCH 52 CIRCUIT				
LEAD-FREE				
MOLEX INCORPORATED				
DOCUMENT NO.		SD-48099-006	SHEET NO.	
			1 OF 3	

THIS DRAWING CONTAINS INFORMATION THAT IS PROPRIETARY TO MOLEX INCORPORATED AND SHOULD NOT BE USED WITHOUT WRITTEN PERMISSION

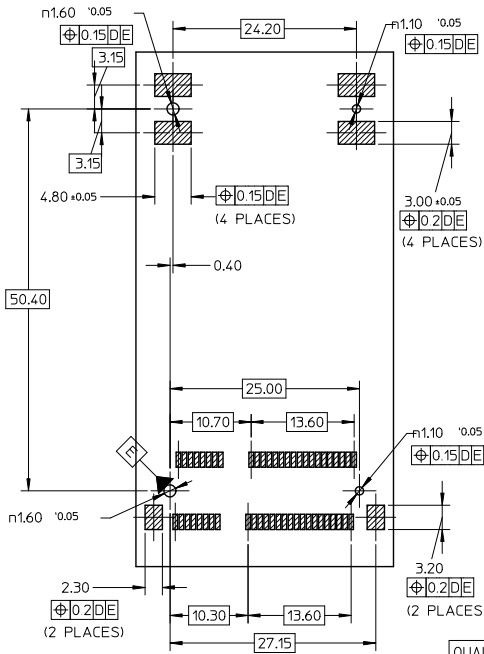
9 8 7 6 5 4 3 2 1



SECTION Z-Z  
Scale 3:1



LATCH

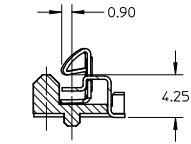
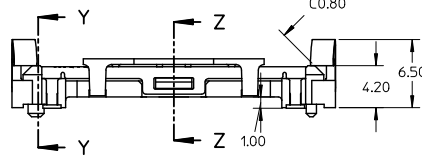


DATUM D IS THE TOP SURFACE OF PCB

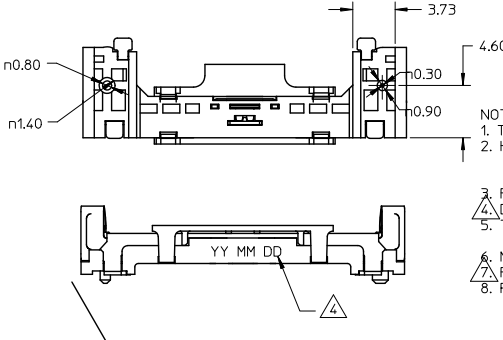
RECOMMENDED PCB LAYOUT

QUALITY SYMBOLS

▽=0
▽=0
▽=0



SECTION Y-Y  
Scale 3:1

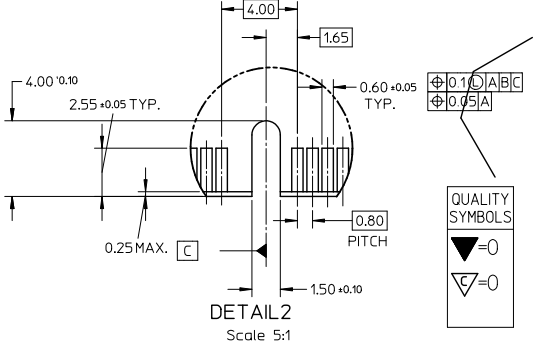
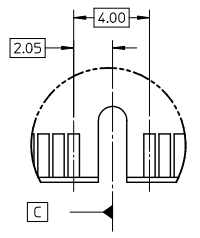
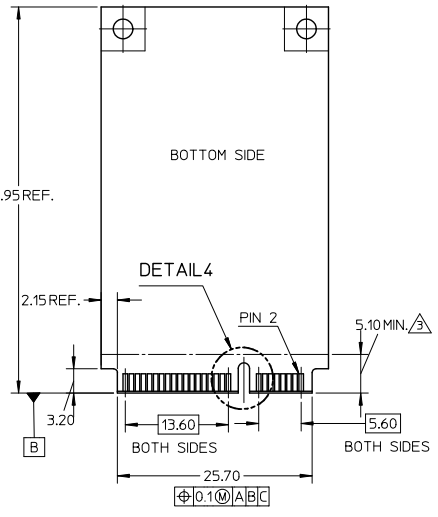
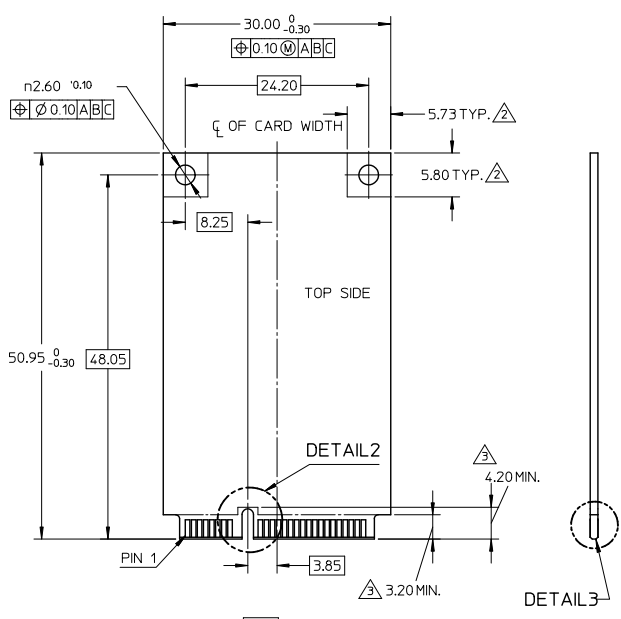


- NOTES:
1. THIS LATCH USES WITH MINIPCI EXPRESS CONN.
  2. HOUSING:PA46 GLASS FILLED,COLOR:BLACK UL94V-0 METAL SHELL:STAINLESS STEEL,THICKNESS:0.3MM BEAM:STAINLESS STEEL,THICKNESS:0.3MM
  3. FINISH:GOLD FLASH PLATED IN SOLDER AREA.
  4. DATE CODE:YY:YEAR MM:MONTH DD:DATE
  5. THE MOUDLE CARD REFERS TO MINI PCI EXPRESS CARD ELECTROMECHANICAL SPECIFICATION.
  6. MATCHED CONNECTOR:67910 SERIES.
  7. FOR PICK AND PLACE AREA.
  8. PART 48099-5701 COMPLIANT TO ROHS DIRECTIVE 2002/95/EC AND ELV DIRECTIVE 2000/53/EC.

REVISED EC NO: S2010-0835 DRAWN:WANG25 CHK: HARVEY APPR: NAGESHKN 2010/04/05 2005/12/14 2010/04/07	QUALITY SYMBOLS	GENERAL TOLERANCES (UNLESS SPECIFIED)	DIMENSION STYLE	SCALE	DESIGN UNITS	THIRD ANGLE PROJECTION	
	▽=0	mm INCH	MM ONLY	NTS	METRIC	☉ □	
	▽=0	4 PLACES ± --- ± ---	DRAWN BY DATE			TITLE	
	▽=0	3 PLACES ± --- ± ---	CHECKED BY DATE			LATCH FOR MINIPCI-E 0.8MM PITCH 52 CIRCUIT LEAD-FREE	
		2 PLACES ± 0.25 ± ---	APPROVED BY DATE			MATERIAL NO.	
		1 PLACE ± 0.25 ± ---	NAGESHKN 2010/04/07			DOCUMENT NO.	
		ANGULAR ± 3°				SHEET NO.	
		DRAFT WHERE APPLICABLE MUST REMAIN WITHIN DIMENSIONS				2 OF 3	
			SIZE				
			A3				
			THIS DRAWING CONTAINS INFORMATION THAT IS PROPRIETARY TO MOLEX INCORPORATED AND SHOULD NOT BE USED WITHOUT WRITTEN PERMISSION				

10 9 8 7 6 5 4 3 2 1

NOTES:  
1. PIN NUMBERING REFERENCE:  
ODD PINS-TOP SIDE  
EVEN PINS-BOTTOM SIDE  
△2. COMPONENT AND ROUTING(ALL LAYERS)  
KEEP OUT AREA FOR HOLD DOWN SOLUTIONS  
△3. COMPONENT KEEP OUT AREA FOR CONNECTOR



REVISED EC NO. S2010-0835 DRAWN:WANG25 CHKD:HARVEY APPR:NAGESHKN	DESCRIPTION 2010/04/05 2005/12/14 2010/04/07	QUALITY SYMBOLS	GENERAL TOLERANCES (UNLESS SPECIFIED)	DIMENSION STYLE	SCALE	DESIGN UNITS	THIRD ANGLE PROJECTION																
		$\nabla=0$ $\nabla=0$ $\nabla=0$	<table border="1"> <tr> <th></th> <th>mm</th> <th>INCH</th> </tr> <tr> <td>4 PLACES</td> <td>±---</td> <td>±---</td> </tr> <tr> <td>3 PLACES</td> <td>±---</td> <td>±---</td> </tr> <tr> <td>2 PLACES</td> <td>±0.25</td> <td>±---</td> </tr> <tr> <td>1 PLACE</td> <td>±0.25</td> <td>±---</td> </tr> <tr> <td colspan="3">ANGULAR ± 3°</td> </tr> </table>		mm	INCH	4 PLACES	±---	±---	3 PLACES	±---	±---	2 PLACES	±0.25	±---	1 PLACE	±0.25	±---	ANGULAR ± 3°			MM ONLY	NTS
	mm	INCH																					
4 PLACES	±---	±---																					
3 PLACES	±---	±---																					
2 PLACES	±0.25	±---																					
1 PLACE	±0.25	±---																					
ANGULAR ± 3°																							
DRAFT WHERE APPLICABLE MUST REMAIN WITHIN DIMENSIONS				MATERIAL NO. 480995701	DOCUMENT NO. SD-48099-006	TITLE LATCH FOR MINIPCI-E 0.8MM PITCH 52 CIRCUIT LEAD-FREE MOLEX INCORPORATED SHEET NO. 3 OF 3																	

9 8 7 6 5 4 3 2 1