

Excellent Integrated System Limited

Stocking Distributor

Click to view price, real time Inventory, Delivery & Lifecycle Information:

[Molex Connector Corporation](#)
[0522070560](#)

For any questions, you can email us directly:

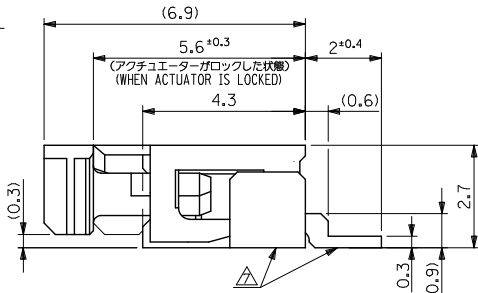
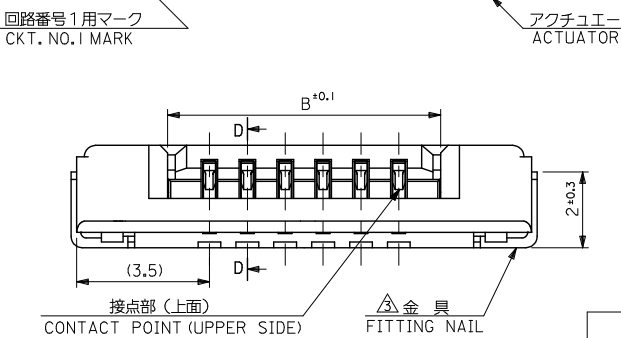
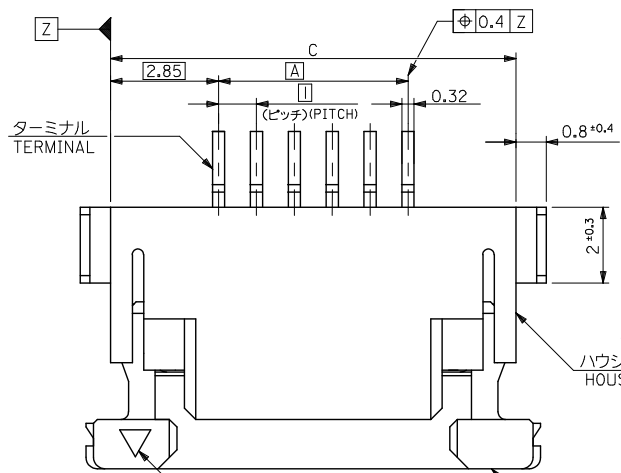
sales@integrated-circuit.com

10 9 8 7 6 5 4 3 2 1

注記 NOTES

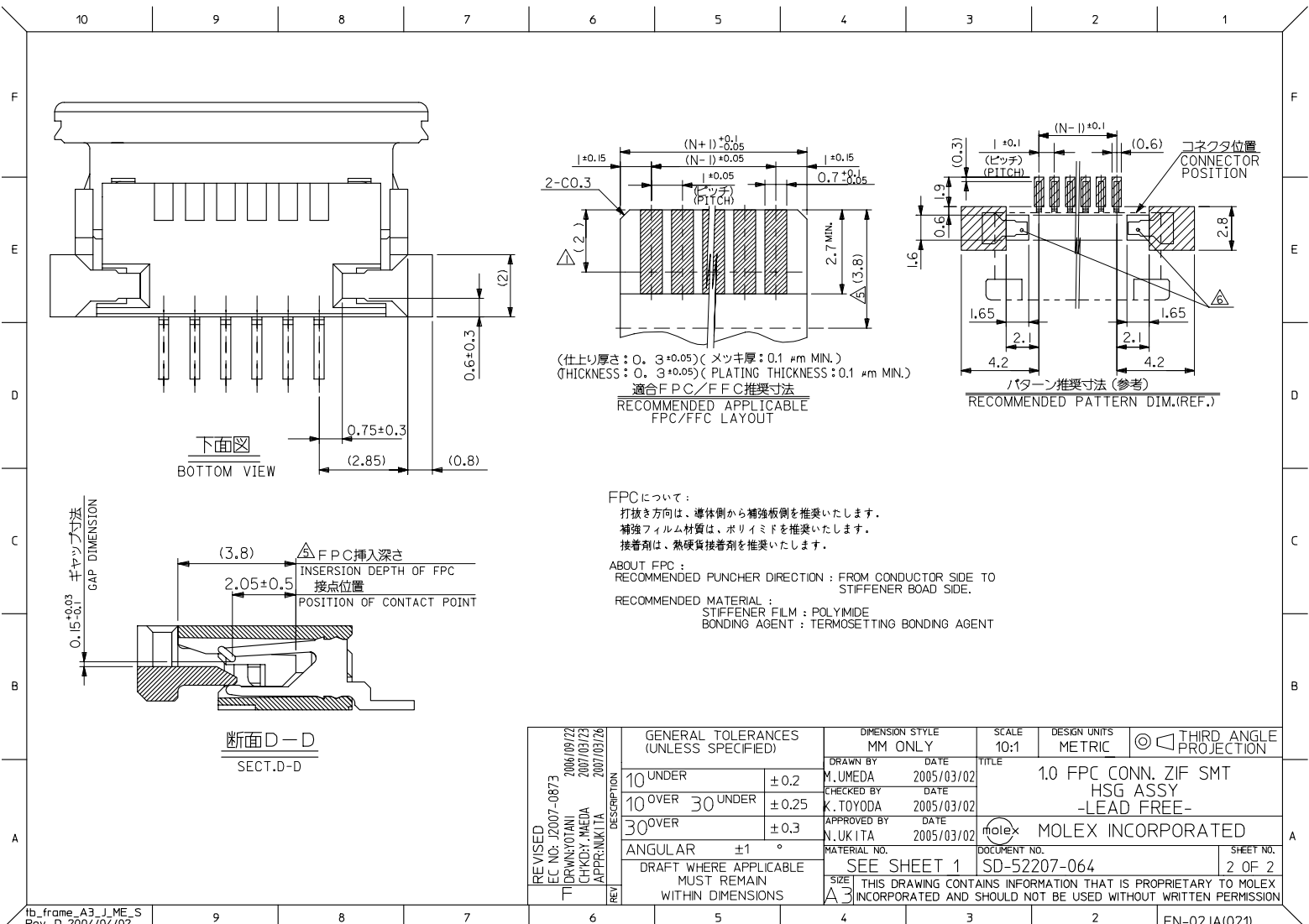
- △ 接点部までの嵌合長さ。
MATING LENGTH TO CONTACT POINT.
- 2. 使用材料 MATERIAL : 46ナイロン (耐熱性), UL94V-0
ハウジング : HEAT-RESISTANT NYLON46, UL94V-0
アクチュエータ : PPS, UL94V-0
アクチュエータ : PPS, UL94V-0
ターミナル : リン青銅 (t=0.32)
メッキ
コンタクト部 : 金メッキ 0.1マイクロメートル以上
テール部 : 錫メッキ 1.0マイクロメートル以上
下地メッキ : ニッケル 1.0マイクロメートル以上
- TERMINAL : PHOS-BRO.(t=0.25)
PLATED
CONTACT AREA : GOLD PLATED 0.1MICROMETER MIN.
TAIL AREA : TIN PLATED 1.0MICROMETER MIN.
OVER PLATED : NICKEL PLATED 1.0MICROMETER MIN.
- 金具 : 銅合金 (t=0.25)
メッキ : 錫メッキ 1マイクロメートル以上
下地メッキ : ニッケル 1マイクロメートル以上
- FITTING NAIL : PHOS-BRO.(t=0.25)
PLATED
TIN PLATED 1MICROMETER MIN.
OVER PLATED : NICKEL PLATED 1MICROMETER MIN.
- △ パターンはくり止め用金具
FITTING NAIL FOR PREVENTION OF FOOT PRINT PEELING.

- 4. エンボステープ梱包時は、アクチュエータがロックした状態とする。
ACTUATOR TO BE LOCKED IN EMBOSSED TAPE PACKAGE.
- △ FPC挿入深さ
INSERTION DEPTH OF FPC.
- △ パターン書き込み禁止エリア。
NO FOOT PRINT AREA.
- △ テール及び金具の平坦度は、.015以下とする。
COPLANARITY OUT OF SPECIFICATION.
TAIL : 0.15 MAX.
NAIL : 0.15 MAX.
- 8. 本製品は 52207-**19 の鉛フリー品である。
THIS PRODUCT IS GOLD PLATING OF 52207-**19.



34.7	31.2	29	52207-3067	30
33.7	30.2	28	52207-2967	29
32.7	29.2	27	52207-2867	28
31.7	28.2	26	52207-2767	27
30.7	27.2	25	52207-2667	26
29.7	26.2	24	52207-2567	25
28.7	25.2	23	52207-2467	24
27.7	24.2	22	52207-2367	23
26.7	23.2	21	52207-2267	22
25.7	22.2	20	52207-2167	21
24.7	21.2	19	52207-2067	20
23.7	20.2	18	52207-1967	19
22.7	19.2	17	52207-1867	18
21.7	18.2	16	52207-1767	17
20.7	17.2	15	52207-1667	16
19.7	16.2	14	52207-1567	15
18.7	15.2	13	52207-1467	14
17.7	14.2	12	52207-1367	13
16.7	13.2	11	52207-1267	12
15.7	12.2	10	52207-1167	11
14.7	11.2	9	52207-1067	10
13.7	10.2	8	52207-0967	9
12.7	9.2	7	52207-0867	8
11.7	8.2	6	52207-0767	7
10.7	7.2	5	52207-0667	6
9.7	6.2	4	52207-0567	5
8.7	5.2	3	52207-0467	4
7.7	4.2	2	52207-0367	3
C	B	A	MATERIAL NO.	極数
			MODEL NO.52207-**67	CIRCUITS

REVISED IEC NO. J2007-0873 DRAWN BY: OTANI CHKD BY: MEDA APPROX: UKITA 2006/09/22 2007/03/23 2007/03/26	GENERAL TOLERANCES (UNLESS SPECIFIED)		DIMENSION STYLE		SCALE	DESIGN UNITS	TITLE 1.0 FPC CONN. ZIF SMT HSG ASSY -LEAD FREE- MOLEX INCORPORATED DOCUMENT NO. SD-52207-064 SHEET NO. 1 OF 2
			MM ONLY		10:1	METRIC	
	10 UNDER	±0.2	DRAWN BY DATE		M.UMEDA 2005/03/02		
	10 OVER 30 UNDER	±0.25	CHECKED BY DATE		K.TOYODA 2005/03/02		
30 OVER	±0.3	APPROVED BY DATE		N.UKITA 2005/03/02			
ANGULAR ±1°		MATERIAL NO.		SEE CHART			
DRAFT WHERE APPLICABLE MUST REMAIN WITHIN DIMENSIONS		SIZE		THIS DRAWING CONTAINS INFORMATION THAT IS PROPRIETARY TO MOLEX INCORPORATED AND SHOULD NOT BE USED WITHOUT WRITTEN PERMISSION			



$(N+1) \pm 0.1$
 $(N-1) \pm 0.05$
 1 ± 0.15
 1 ± 0.05
 0.7 ± 0.05
 $2-C0.3$
 2.7 MIN.
 (3.8)
 (仕上り厚さ: 0.3 ± 0.05) (メッキ厚: $0.1 \mu\text{m MIN.}$)
 (THICKNESS: 0.3 ± 0.05) (PLATING THICKNESS: $0.1 \mu\text{m MIN.}$)
 適合FPC/FPC推奨寸法
 RECOMMENDED APPLICABLE
 FPC/FFC LAYOUT

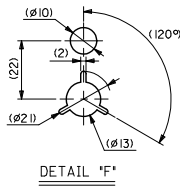
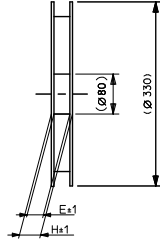
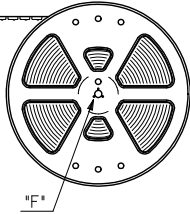
$(N-1) \pm 0.1$
 1 ± 0.1
 (0.6)
 コネクタ位置
 CONNECTOR POSITION
 0.6 ± 0.1
 (0.3)
 1.65
 2.1
 4.2
 2.8
 1.65
 4.2
 パターン推奨寸法(参考)
 RECOMMENDED PATTERN DIM.(REF.)

FPCについて:
 打抜き方向は、導体側から補強板側を推奨いたします。
 補強フィルム材質は、ポリイミドを推奨いたします。
 接着剤は、熱硬化接着剤を推奨いたします。
 ABOUT FPC:
 RECOMMENDED PUNCHER DIRECTION: FROM CONDUCTOR SIDE TO STIFFENER BOARD SIDE.
 RECOMMENDED MATERIAL:
 STIFFENER FILM: POLYIMIDE
 BONDING AGENT: THERMOSETTING BONDING AGENT

REVISED EC NO: J2007-0873 DRAWN: YOTANI 2006/09/22 CHECKED: MAEDA 2007/03/23 APPR: UKITA 2007/03/26	GENERAL TOLERANCES (UNLESS SPECIFIED)		DIMENSION STYLE MM ONLY	SCALE 10:1	DESIGN UNITS METRIC	THIRD ANGLE PROJECTION	
	10 UNDER ± 0.2	10 OVER 30 UNDER ± 0.25	DRAWN BY M.UMEDA	DATE 2005/03/02	TITLE 1.0 FPC CONN. ZIF SMT HSG ASSY -LEAD FREE- MOLEX INCORPORATED		
	30 OVER ± 0.3	ANGULAR $\pm 1^\circ$	CHECKED BY K.TOYODA	DATE 2005/03/02			
	DRAFT WHERE APPLICABLE MUST REMAIN WITHIN DIMENSIONS		APPROVED BY N.UKITA	DATE 2005/03/02		MATERIAL NO. SEE SHEET 1	DOCUMENT NO. SD-52207-064
THIS DRAWING CONTAINS INFORMATION THAT IS PROPRIETARY TO MOLEX INCORPORATED AND SHOULD NOT BE USED WITHOUT WRITTEN PERMISSION							

10 9 8 7 6 5 4 3 2 1

引き出し方向
PULL OUT
DIRECTION



DETAIL "F"

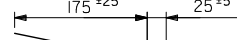
注記

1. 製品番号 52207-**-67 の梱包状態はアクチュエータがロックした状態とする。
詳細寸法については図面 SD-52207-064 を参照下さい。
IN THE PACKAGE, ACTUATOR OF PART NO.52207-**-67 SHOULD BE LOCKED
RE DETAILED DIMENSIONS, SEE SD-52207-064

2. 梱包数量: 1000個/リール
NUMBER OF CONNECTORS: 1000PCS/REEL

3. リードテープ長さ(LEAD TAPE LENGTH)

トップテープ TOP TAPE トップテープ TOP TAPE
リーダー部 LEADER PART 未接着部 NON-BONDED PART



引き出し方向
PULL OUT DIRECTION



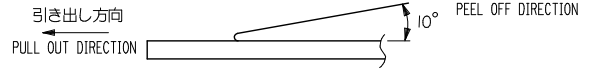
4. トップテープの剥離強度: 0.1~1.3N (10gf~130gf) (剥離方向は下図参照)
尚、本規格値は、出荷時に適用。(但し、輸送時に剥離が発生しない事。)

PEELING OFF FORCE OF TOP TAPE: 0.1~1.3N (10gf~130gf)

THIS REQUIREMENT SHOULD BE APPLIED AT SHIPMENT. (PEELING DIRECTION AS SHOWN IN FOLLOWING FIG.)

DURING TRANSPORTATION. (PEEL OFF SHOULD NOT BE ALLOWED,)

剥離方向



5. 材料 (MATERIAL)

キャリアテープ (CARRIER TAPE): ポリプロピレン (POLYPROPYLENE)

トップテープ (TOPTAPE): PET, PE, PEF

リール (REEL): ポリスチレン (PS) <リサイクル材を含む>

POLYSTYRENE (PS) <RECYCLE MATERIAL CONTAINED>

6. 本製品は 52207-**-85 の金メッキ品である。

THIS PRODUCT IS GOLD PLATING OF 52207-**-85.

7. 本製品は乾燥剤入り、ハイバリア梱包仕様である。

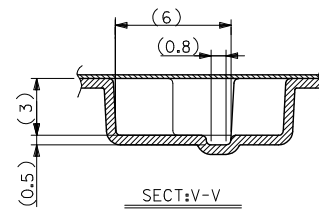
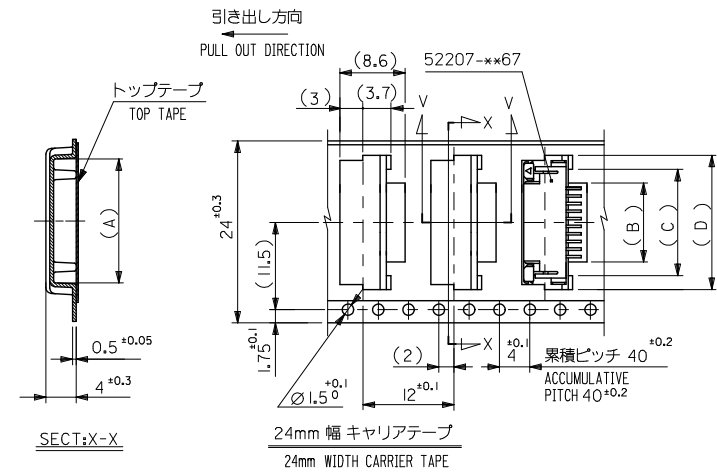
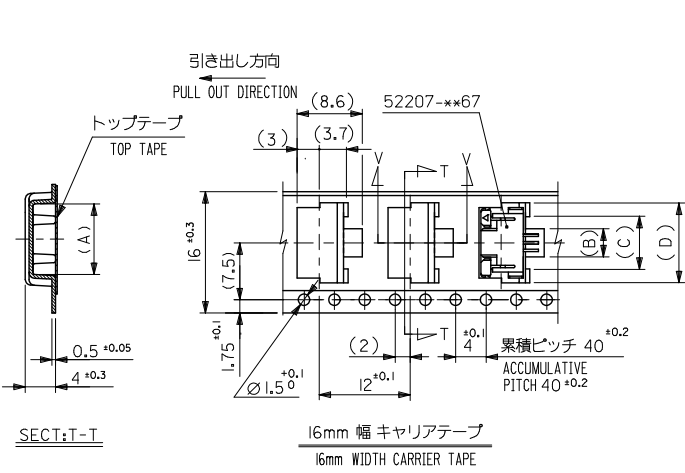
THIS PRODUCT IS HIGH BARRIER PACKAGE WITH DESICCANT.

MODEL No.52207-**-60

REVISED EC NO: J2016-0832 DRAWN: YI ZUN002 2016/02/03 CHKD: KAKAHASHI 2016/02/03 APPR: IKUSIHARA01 2016/02/12	GENERAL TOLERANCES (UNLESS SPECIFIED)		DIMENSION STYLE MM ONLY		SCALE ---	DESIGN UNITS METRIC	THIRD ANGLE PROJECTION
	0.25 UNDER	UNDER	±0.03	DRAWN BY	DATE	TITLE	
	0.25 OVER	0.5 UNDER	±0.05	M.UMEDA	2005/03/03	1.0 FPC CONN. ZIF SMT WITH EMBSTP PKG -LEAD FREE-	
	0.5 OVER	1.0 UNDER	±0.1	CHECKED BY	DATE	molex	
	1.0 OVER	10 UNDER	±0.2	K.TOYODA	2005/03/03		
	10 OVER	30 UNDER	±0.25	APPROVED BY	DATE	DOCUMENT NO.	SHEET NO.
30 OVER		±0.3	N.UKITA	2005/03/03	SD-52207-065	1 OF 5	
ANGULAR	±1 °		MATERIAL NO.		SEE SHEET 2-5		
DRAFT WHERE APPLICABLE MUST REMAIN WITHIN DIMENSIONS			SIZE A3	THIS DRAWING CONTAINS INFORMATION THAT IS PROPRIETARY TO MOLEX ELECTRONIC TECHNOLOGIES, LLC AND SHOULD NOT BE USED WITHOUT WRITTEN PERMISSION			

9 8 7 6 5 4 3 2 1

10 9 8 7 6 5 4 3 2 1

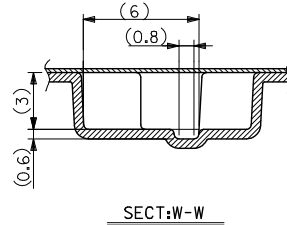
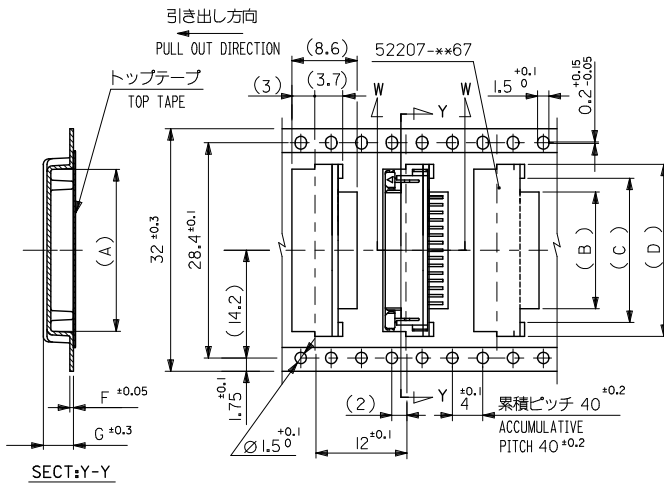


24	29.4	25.4	18.5	15	11.7	17.3	52207-1160	11
			17.5	14	10.7	16.3	52207-1060	10
			16.5	13	9.7	15.3	52207-0960	9
			15.5	12	8.7	14.3	52207-0860	8
			14.5	11	7.7	13.3	52207-0760	7
			13.5	10	6.7	12.3	52207-0660	6
12.5	9	5.7	11.3	52207-0560	5			
11.5	8	4.7	10.3	52207-0460	4			
16	21.4	17.4	10.5	7	3.7	9.3	52207-0360	3
キャリアテープ幅 CARRIER TAPE WIDTH	H	E	(D)	(C)	(B)	(A)	EMBOSSED PACKAGE ORDER NO.	種数 CKT.

SEE SHEET 1 EC NO. J2016-0832 DRAWN: Y. ZUNO 2016/02/03 CHKD: K. TAKAHASHI 2016/02/03 APPR: T. KUSUHARA 2016/02/12	GENERAL TOLERANCES (UNLESS SPECIFIED)		DIMENSION STYLE MM ONLY		SCALE ---	DESIGN UNITS METRIC	THIRD ANGLE PROJECTION	
	0.25 UNDER	UNDER	±0.03	DRAWN BY	DATE	TITLE		
	0.25 OVER	0.5 UNDER	±0.05	M. UMEDA	2005/03/03	1.0 FPC CONN. ZIF SMT WITH EMBSTP PKG -LEAD FREE-		
	0.5 OVER	1.0 UNDER	±0.1	CHECKED BY	DATE	molex		
	1.0 OVER	10 UNDER	±0.2	K. TOYODA	2005/03/03			
	10 OVER	30 UNDER	±0.25	APPROVED BY	DATE	SD-52207-065	2 OF 5	
30 OVER		±0.3	N. UKITA	2005/03/03				
ANGULAR	±1 °		MATERIAL NO.					
DRAFT WHERE APPLICABLE MUST REMAIN WITHIN DIMENSIONS			SIZE A3	THIS DRAWING CONTAINS INFORMATION THAT IS PROPRIETARY TO MOLEX ELECTRONIC TECHNOLOGIES, LLC AND SHOULD NOT BE USED WITHOUT WRITTEN PERMISSION				

9 8 7 6 5 4 3 2 1

10 9 8 7 6 5 4 3 2 1



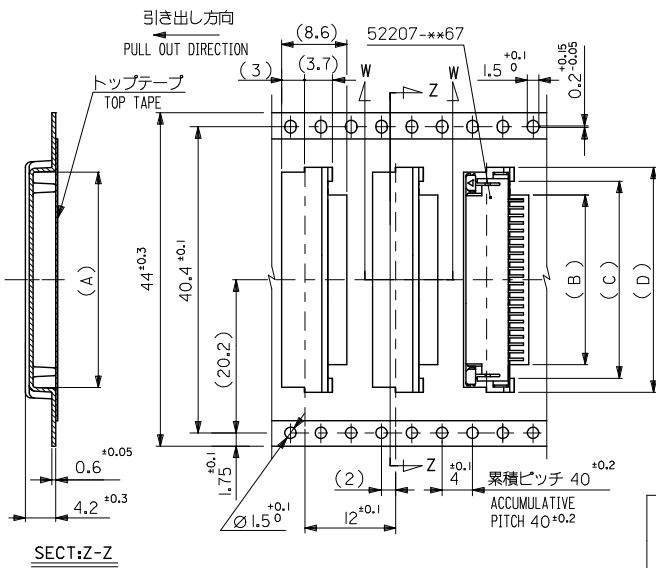
32mm 幅 キャリアテープ
32mm WIDTH CARRIER TAPE

32	37.4	33.4	4.0	0.5	23.5	20	16.7	22.35	52207-1660	16
			4.2	0.6	22.5	19	15.7	21.35	52207-1560	15
			4.2	0.6	21.5	18	14.7	20.35	52207-1460	14
			4.2	0.6	20.5	17	13.7	19.35	52207-1360	13
			4.2	0.6	19.5	16	12.7	18.35	52207-1260	12
キャリアテープ幅 CARRIER TAPE WIDTH		H	E	(G)	(F)	(D)	(C)	(B)	(A)	EMBOSSED PACKAGE ORDER NO. 種数 CKT.

SEE SHEET 1 EC NO. J2016-0832 DRAWN: M. UMEDA 2016/02/03 CHKD: K. TAKAHASHI 2016/02/03 APPR: T. KUSUHARA01 2016/02/12	GENERAL TOLERANCES (UNLESS SPECIFIED)		DIMENSION STYLE MM ONLY		SCALE ---	DESIGN UNITS METRIC	THIRD ANGLE PROJECTION		
	0.25 UNDER	UNDER	±0.03	DRAWN BY	DATE	TITLE			
	0.25 OVER	0.5 UNDER	±0.05	M. UMEDA	2005/03/03	1.0 FPC CONN ZIF SMT WITH EMBSTP PKG -LEAD FREE-			
	0.5 OVER	1.0 UNDER	±0.1	CHECKED BY	DATE	molex			
	1.0 OVER	10 UNDER	±0.2	K. TOYODA	2005/03/03				
	10 OVER	30 UNDER	±0.25	APPROVED BY	DATE	MATERIAL NO.	DOCUMENT NO.	SHEET NO.	
30 OVER		±0.3	N. UKITA	2005/03/03	SEE CHART	SD-52207-065	3 OF 5		
ANGULAR	±1 °		DRAFT WHERE APPLICABLE MUST REMAIN WITHIN DIMENSIONS		THIS DRAWING CONTAINS INFORMATION THAT IS PROPRIETARY TO MOLEX ELECTRONIC TECHNOLOGIES, LLC AND SHOULD NOT BE USED WITHOUT WRITTEN PERMISSION				

9 8 7 6 5 4 3 2 1

10 9 8 7 6 5 4 3 2 1



44mm 幅 キャリアテープ
44mm WIDTH CARRIER TAPE

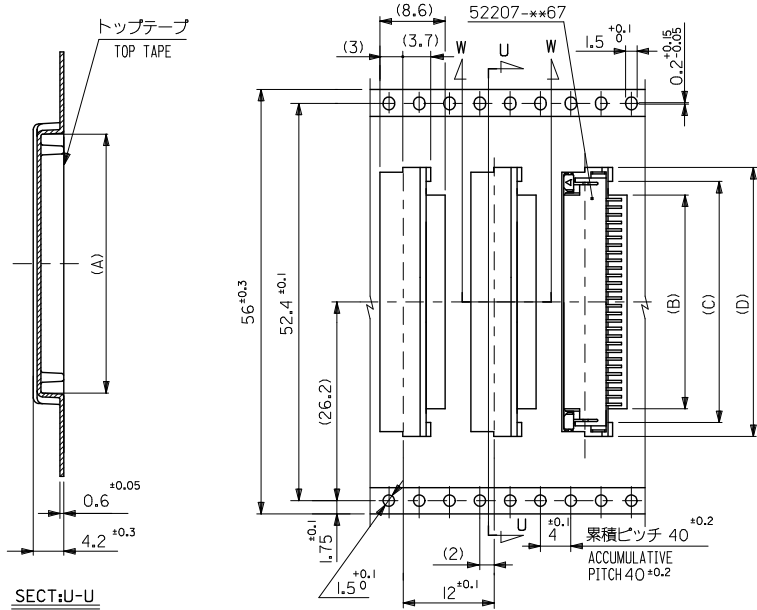
44	49.4	45.4	—	—	34.5	31	27.7	33.35	52207-2760	27
—	—	—	—	—	33.5	30	26.7	32.35	52207-2660	26
—	—	—	—	—	32.5	29	25.7	31.35	52207-2560	25
—	—	—	—	—	31.5	28	24.7	30.35	52207-2460	24
—	—	—	—	—	30.5	27	23.7	29.35	52207-2360	23
—	—	—	—	—	29.5	26	22.7	28.35	52207-2260	22
—	—	—	—	—	28.5	25	21.7	27.35	52207-2160	21
—	—	—	—	—	27.5	24	20.7	26.35	52207-2060	20
—	—	—	—	—	26.5	23	19.7	25.35	52207-1960	19
—	—	—	—	—	25.5	22	18.7	24.35	52207-1860	18
—	—	—	—	—	24.5	21	17.7	23.35	52207-1760	17

キャリアテープ幅 H E (G) (F) (D) (C) (B) (A) EMBOSSED PACKAGE ORDER NO. 種数 CKT.

SEE SHEET 1 EC NO. J2016-0832 DRWN: YI ZUNO02 2016/02/03 CHKD: K TAKAHASHI 2016/02/03 APPR: IKUSUHARA01 2016/02/12	GENERAL TOLERANCES (UNLESS SPECIFIED)		DIMENSION STYLE		SCALE	DESIGN UNITS	THIRD ANGLE PROJECTION
			MM ONLY		---	METRIC	
	0.25 UNDER	UNDER	±0.03	DRAWN BY	DATE	TITLE	
	0.25 OVER	0.5 UNDER	±0.05	M.UMEDA	2005/03/03	1.0 FPC CONN ZIF SMT WITH EMBSTP PKG -LEAD FREE-	
	0.5 OVER	1.0 UNDER	±0.1	CHECKED BY	DATE		
1.0 OVER	10 UNDER	±0.2	K.TOYODA	2005/03/03			
10 OVER	30 UNDER	±0.25	APPROVED BY	DATE			
30 OVER		±0.3	N.UKITA	2005/03/03	DOCUMENT NO. SD-52207-065		SHEET NO. 4 OF 5
ANGULAR	±1 °		SEE CHART				
DRAFT WHERE APPLICABLE MUST REMAIN WITHIN DIMENSIONS			SIZE A3	THIS DRAWING CONTAINS INFORMATION THAT IS PROPRIETARY TO MOLEX ELECTRONIC TECHNOLOGIES, LLC AND SHOULD NOT BE USED WITHOUT WRITTEN PERMISSION			

9 8 7 6 5 4 3 2 1

10 9 8 7 6 5 4 3 2 1



56mm 幅 キャリアテープ
56mm WIDTH CARRIER TAPE

56	61.4	57.4	37.5	34	30.7	36.35	52207-3060	30		
			36.5	33	29.7	35.35	52207-2960	29		
			35.5	32	28.7	34.35	52207-2860	28		
キャリアテープ幅 CARRIER TAPE WIDTH			H	E	(D)	(C)	(B)	(A)	EMBOSSED PACKAGE ORDER NO.	極数 CKT.

SEE SHEET 1 IEC NO. J2016-0832 DRAWN: Y. ZUNO 2016/02/03 CHK: K. TAKAHASHI 2016/02/03 APPR: T. SUHARA 2016/02/12	GENERAL TOLERANCES (UNLESS SPECIFIED)		DIMENSION STYLE MM ONLY		SCALE ---	DESIGN UNITS METRIC	THIRD ANGLE PROJECTION			
	0.25 UNDER	UNDER	±0.03	DRAWN BY	DATE	TITLE				
	0.25 OVER	0.5 UNDER	±0.05	M. UMEDA	2005/03/03	1.0 FPC CONN ZIF SMT WITH EMBSTP PKG -LEAD FREE-				
	0.5 OVER	1.0 UNDER	±0.1	CHECKED BY	DATE	molex				
	1.0 OVER	10 UNDER	±0.2	K. TOYODA	2005/03/03					
	10 OVER	30 UNDER	±0.25	APPROVED BY	DATE	DOCUMENT NO.	SD-52207-065		SHEET NO. 5 OF 5	
30 OVER		±0.3	N. UKITA	2005/03/03	SEE CHART					
ANGULAR	±1 °		MATERIAL NO.		THIS DRAWING CONTAINS INFORMATION THAT IS PROPRIETARY TO MOLEX ELECTRONIC TECHNOLOGIES, LLC AND SHOULD NOT BE USED WITHOUT WRITTEN PERMISSION					
DRAFT WHERE APPLICABLE MUST REMAIN WITHIN DIMENSIONS			SIZE A3							

10 9 8 7 6 5 4 3 2 1