

Excellent Integrated System Limited

Stocking Distributor

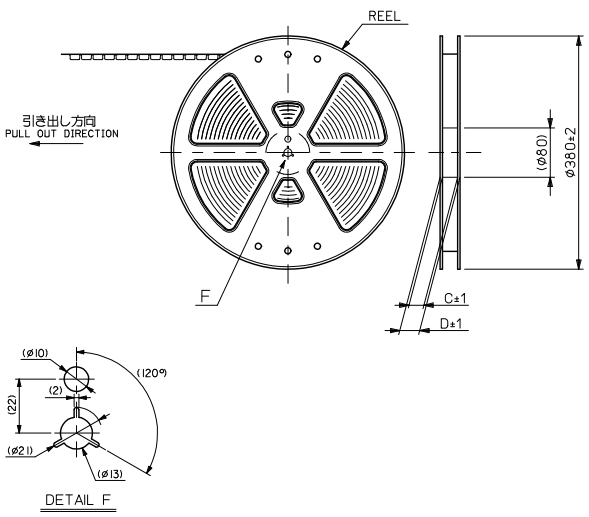
Click to view price, real time Inventory, Delivery & Lifecycle Information:

[Molex Connector Corporation](#)
[0526101571](#)

For any questions, you can email us directly:

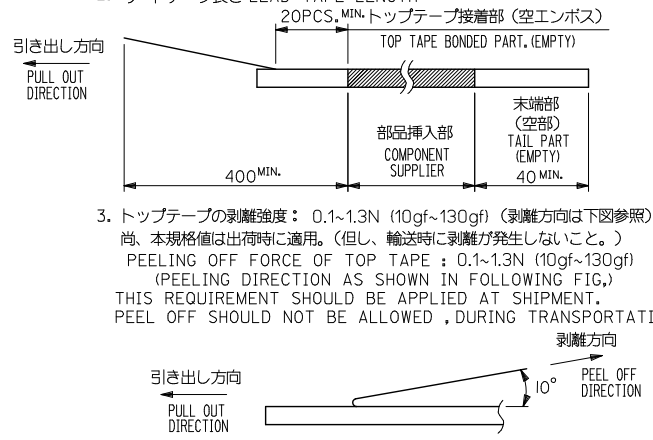
sales@integrated-circuit.com

10 9 8 7 6 5 4 3 2 1



NOTES

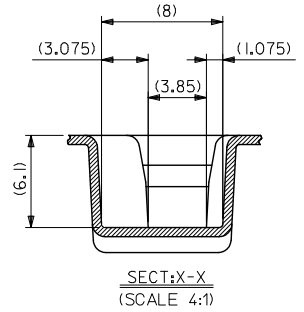
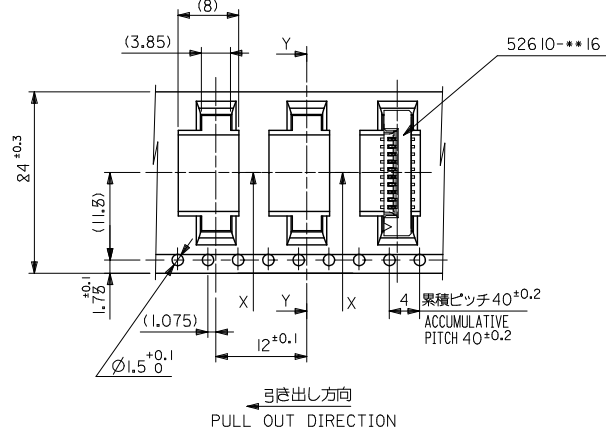
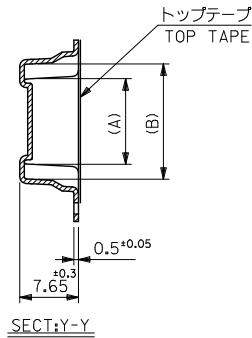
1. 梱包数量：1000個/リール
NUMBER OF CONNECTORS：1000PCS/REEL
2. リードテープ長さ LEAD TAPE LENGTH
20PCS MIN. トップテープ接着部 (空エンボス)
TOP TAPE BONDED PART. (EMPTY)
部品挿入部
COMPONENT SUPPLIER
末端部 (空部)
TAIL PART (EMPTY)
40 MIN.
3. トップテープの剥離強度：0.1~1.3N (10gf~130gf) (剥離方向は下図参照)
尚、本規格値は出荷時に適用。(但し、輸送時に剥離が発生しないこと。)
PEELING OFF FORCE OF TOP TAPE：0.1~1.3N (10gf~130gf)
(PEELING DIRECTION AS SHOWN IN FOLLOWING FIG.)
THIS REQUIREMENT SHOULD BE APPLIED AT SHIPMENT.
PEEL OFF SHOULD NOT BE ALLOWED, DURING TRANSPORTATION.
4. 52610-**-16のアクチュエータはハウジング内に押し下げた状態とする。
詳細寸法については 製品単体図面を参照下さい。
ACTUATOR OF PART NO. 52610-**-16 SHOULD BE LOCKED.
RE DETAILED DIMENSIONS, SEE SALES DRAWING FOR CONNECTOR.
5. 材料 (MATERIAL)
キャリアテープ (CARRIER TAPE)：ポリプロピレン (POLYPROPYLENE)
トップテープ (TOPTAPE)：PET, PE, PEF
リール (REEL)：ポリスチレン (PS) <リサイクル材を含む>
POLYSTYREN (PS) <RECYCLE MATERIAL CONTAINED>
6. 本製品は 52610-**-90 の鉛フリー品です
7. 本製品は乾燥剤入り、ハイバリア梱包仕様である。
THIS PRODUCT IS HIGH BARRIER PACKAGE WITH DESICCANT.



REVISED EC NO.: J2009-2061 DRAWN BY: CHIKO MATSUMOTO CHECKED BY: CHIKO MATSUMOTO APPROVED BY: CHIKO MATSUMOTO	GENERAL TOLERANCES (UNLESS SPECIFIED)		DIMENSION STYLE MM ONLY		SCALE ---	DESIGN UNITS METRIC	52610-**-71	MODEL NO.
	10 UNDER	±0.2	DRAWN BY T. UENO	DATE '03/12/12	TITLE 1.0 FPC CONN SMT ZIF EMBSTP PKG -LEAD FREE-			
	10 OVER 30 UNDER	±0.25	CHECKED BY M. SASAO	DATE '03/12/12				
	30 OVER	±0.3	APPROVED BY M. SASAO	DATE '03/12/12				
ANGULAR	±3 °	MATERIAL NO.		DOCUMENT NO.		MATERIAL NO.		
DRAFT WHERE APPLICABLE MUST REMAIN WITHIN DIMENSIONS		SEE TABLE		SD-52610-038		SHEET NO. 1 OF 5		
THIS DRAWING CONTAINS INFORMATION THAT IS PROPRIETARY TO MOLEX INCORPORATED AND SHOULD NOT BE USED WITHOUT WRITTEN PERMISSION								EN-02JA(021)

9 8 7 6 5 4 3 2 1

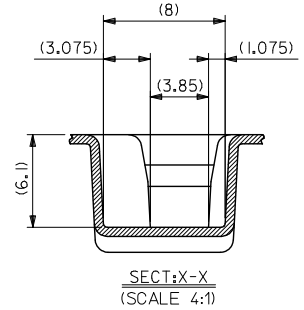
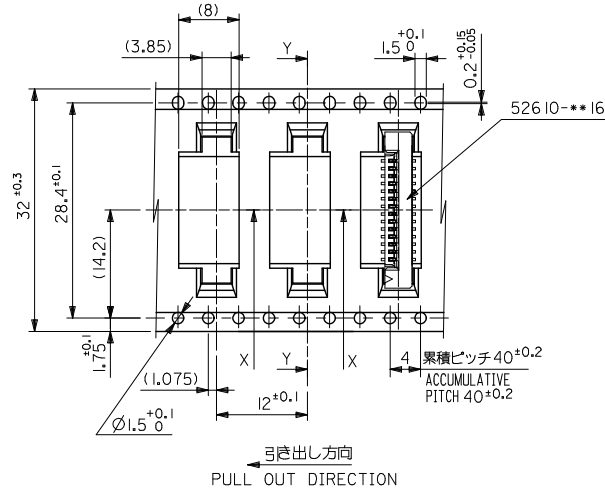
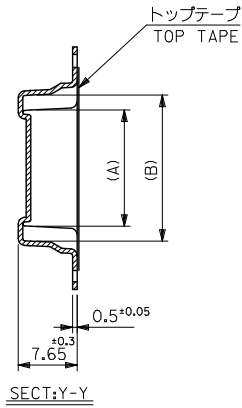
10 9 8 7 6 5 4 3 2 1



24	29.4	25.4	15.25	11.32	52610-1071	10
			14.25	10.32	52610-0971	9
			13.25	9.32	52610-0871	8
			12.25	8.32	52610-0771	7
			11.25	7.32	52610-0671	6
			10.25	6.32	52610-0571	5
キャリアテープ幅 CARRIER TAPE WIDTH	D	C	(B)	(A)	MATERIAL NO.	極致 CKT.

REVISED EC NO. J2009-2061 DRAWN: IKON 2009/05/20 CHK: HATSUMOTO 2009/05/21 APP: NIKITA 2009/05/21	GENERAL TOLERANCES (UNLESS SPECIFIED)		DIMENSION STYLE MM ONLY	SCALE ---	DESIGN UNITS METRIC	52610-**-71	MODEL NO.
	10 UNDER	± 0.2	DRAWN BY T. UENO	DATE '03/12/12	TITLE 1.0 FPC CONN SMT ZIF EMBSTP PKG -LEAD FREE-	THIRD ANGLE PROJECTION	
	10 OVER 30 UNDER	± 0.25	CHECKED BY M. SASAO	DATE '03/12/12	MOLEX INCORPORATED		
	30 OVER	± 0.3	APPROVED BY M. SASAO	DATE '03/12/12	DOCUMENT NO. SD-52610-038	SHEET NO. 2 OF 5	
C	ANGULAR	± 3 °	MATERIAL NO.		SEE TABLE		
DRAFT WHERE APPLICABLE MUST REMAIN WITHIN DIMENSIONS			THIS DRAWING CONTAINS INFORMATION THAT IS PROPRIETARY TO MOLEX INCORPORATED AND SHOULD NOT BE USED WITHOUT WRITTEN PERMISSION				

10 9 8 7 6 5 4 3 2 1

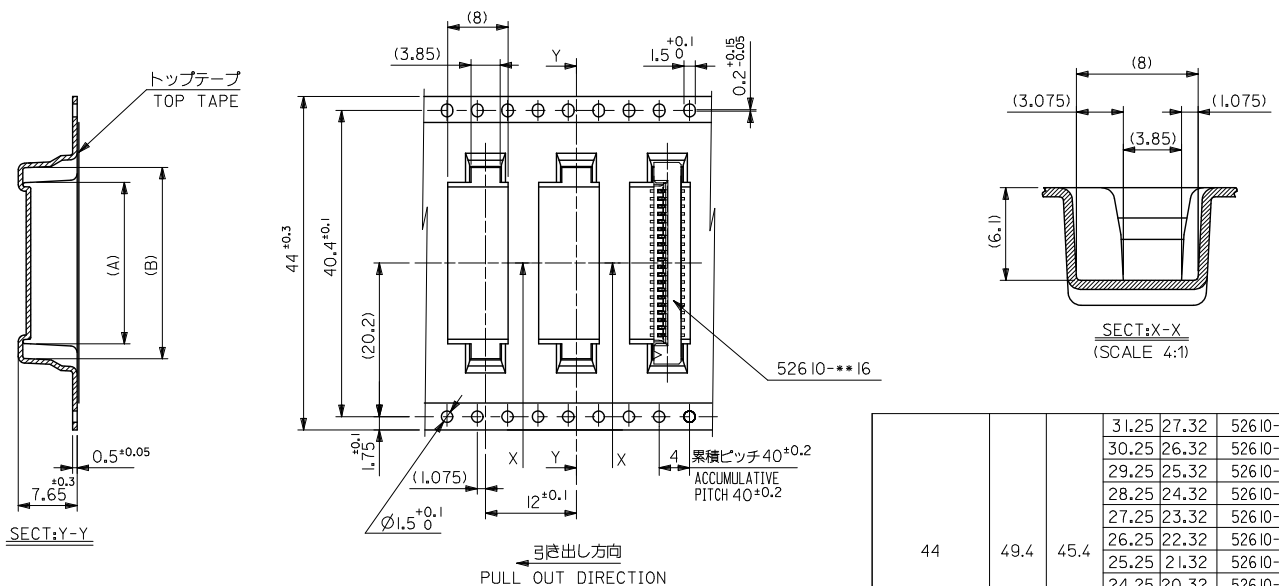


32	37.4	33.4	20.25	16.32	52610-1571	15
			19.25	15.32	52610-1471	14
			18.25	14.32	52610-1371	13
			17.25	13.32	52610-1271	12
			16.25	12.32	52610-1171	11
キャリアテープ幅 CARRIER TAPE WIDTH	D	C	(B)	(A)	MATERIAL NO.	種数 CKT.

REVISED EC NO. J2009-2061 DRAWN BY CHIKDHATSUMOTO APPROVED BY APPR:MIKITA	DESCRIPTION 2009/05/20 2009/05/21 2009/05/21	GENERAL TOLERANCES (UNLESS SPECIFIED)		DIMENSION STYLE MM ONLY	SCALE ---	DESIGN UNITS METRIC	52610-**71	MODEL NO.	
		10 UNDER	± 0.2	DRAWN BY T. UENO	DATE '03/12/12	TITLE	1.0 FPC CONN SMT ZIF EMBSTP PKG -LEAD FREE-		
		10 OVER 30 UNDER	± 0.25	CHECKED BY M. SASAO	DATE '03/12/12	MOLEX INCORPORATED			
		30 OVER	± 0.3	APPROVED BY M. SASAO	DATE '03/12/12	MATERIAL NO.	DOCUMENT NO.	SD-52610-038	
		ANGULAR	± 3 °	DRAFT WHERE APPLICABLE MUST REMAIN WITHIN DIMENSIONS		SEE TABLE	THIS DRAWING CONTAINS INFORMATION THAT IS PROPRIETARY TO MOLEX INCORPORATED AND SHOULD NOT BE USED WITHOUT WRITTEN PERMISSION		

9 8 7 6 5 4 3 2 1 EN-02JA(021)

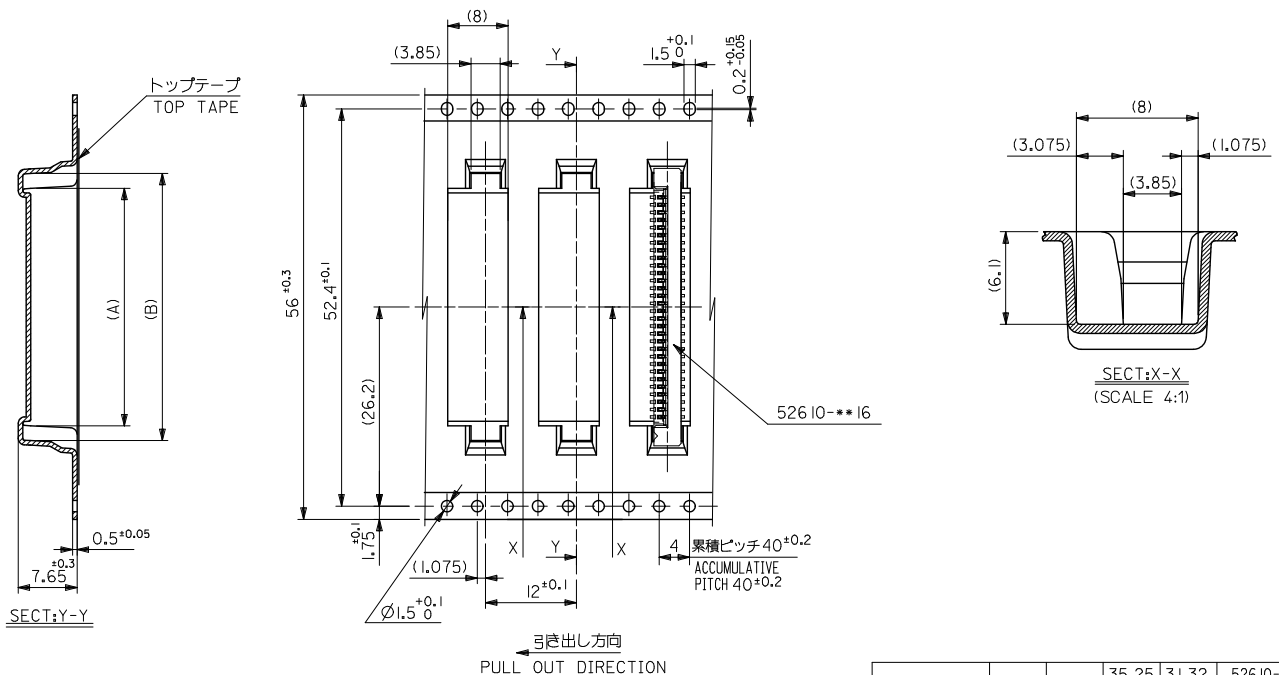
10 9 8 7 6 5 4 3 2 1



44	49.4	45.4	31.25	27.32	52610-2671	26		
			30.25	26.32	52610-2571	25		
			29.25	25.32	52610-2471	24		
			28.25	24.32	52610-2371	23		
			27.25	23.32	52610-2271	22		
			26.25	22.32	52610-2171	21		
			25.25	21.32	52610-2071	20		
			24.25	20.32	52610-1971	19		
			23.25	19.32	52610-1871	18		
			22.25	18.32	52610-1771	17		
21.25	17.32	52610-1671	16					
キャリアテープ幅 CARRIER TAPE WIDTH			D	C	(B)	(A)	MATERIAL NO.	種数 CKT.

REVISED IEC NO. J2009-2061 DRAWN BY CHIKDHATSUMOTO APPROVED BY APPR. NUKITA 2009/05/20 2009/05/21 2009/05/21	GENERAL TOLERANCES (UNLESS SPECIFIED)		DIMENSION STYLE	SCALE	DESIGN UNITS	MODEL NO.	
	10 UNDER	± 0.2	MM ONLY	---	METRIC	52610-**71	
	10 OVER 30 UNDER	± 0.25				THIRD ANGLE PROJECTION	
	30 OVER	± 0.3				TITLE	
	ANGULAR	± 3 °				1.0 FPC CONN SMT ZIF EMBSTP PKG -LEAD FREE-	
DRAFT WHERE APPLICABLE MUST REMAIN WITHIN DIMENSIONS			SEE TABLE		MOLEX INCORPORATED		SHEET NO. 4 OF 5
			THIS DRAWING CONTAINS INFORMATION THAT IS PROPRIETARY TO MOLEX INCORPORATED AND SHOULD NOT BE USED WITHOUT WRITTEN PERMISSION		DOCUMENT NO. SD-52610-038		

10 9 8 7 6 5 4 3 2 1



56	61.4	57.4	35.25	31.32	52610-3071	30
キャリアテープ幅 CARRIER TAPE WIDTH	D	C	(B)	(A)	MATERIAL NO.	極数 CKT.
					52610-**71	MODEL NO.

REVISED EC NO. J2009-2061 DRAWN BY CHIKDHATSUMOTO 2009/05/21 APPROVED BY APPR.NUKITA 2009/05/21	GENERAL TOLERANCES (UNLESS SPECIFIED)		DIMENSION STYLE MM ONLY	SCALE ---	DESIGN UNITS METRIC	THIRD ANGLE PROJECTION
	10 UNDER	± 0.2	DRAWN BY T. UENO	DATE '03/12/12	TITLE 1.0 FPC CONN SMT ZIF EMBSTP PKG -LEAD FREE-	
	10 OVER 30 UNDER	± 0.25	CHECKED BY M. SASAO	DATE '03/12/12	MOLEX INCORPORATED	
	30 OVER	± 0.3	APPROVED BY M. SASAO	DATE '03/12/12	DOCUMENT NO. SD-52610-038	SHEET NO. 5 OF 5
ANGULAR ± 3 °		DRAFT WHERE APPLICABLE MUST REMAIN WITHIN DIMENSIONS		SEE TABLE		
THIS DRAWING CONTAINS INFORMATION THAT IS PROPRIETARY TO MOLEX INCORPORATED AND SHOULD NOT BE USED WITHOUT WRITTEN PERMISSION						