

Excellent Integrated System Limited

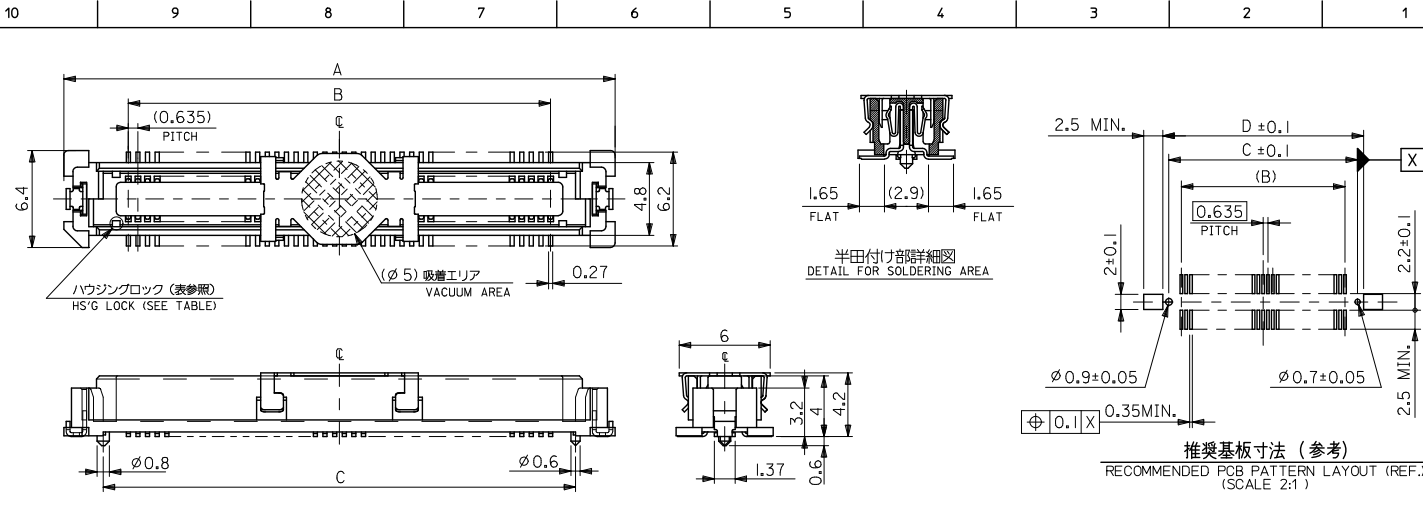
Stocking Distributor

Click to view price, real time Inventory, Delivery & Lifecycle Information:

[Molex Connector Corporation](#)
[0528851474](#)

For any questions, you can email us directly:

sales@integrated-circuit.com

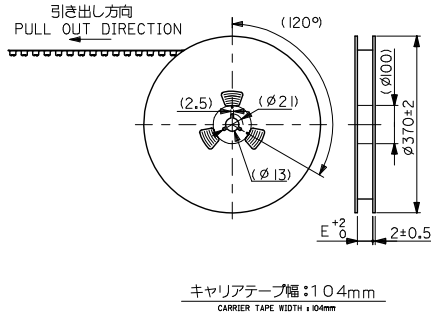
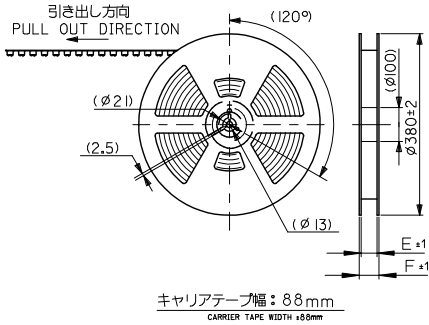
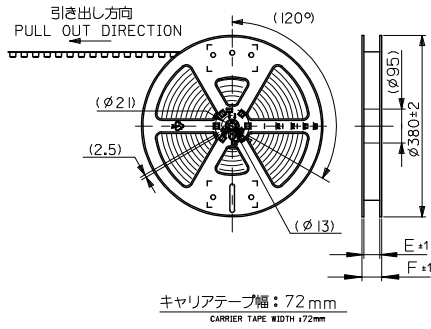
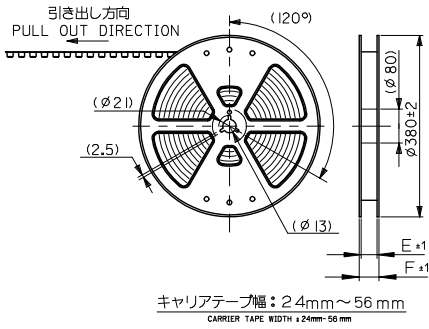


- 注) NOTES
- 材質
MATERIAL
ハウジング: ガラス入りULCP, 白色, UL94V-0
HOUSING: G.F.LCP, WHITE, UL94V-0
ターミナル: 銅合金 (t = 0.2)
TERMINAL: COPPER ALLOY
吸着カバー: ステンレス (t = 0.2)
VACUUM COVER: STAINLESS STEEL
補強金具: 銅合金 (t = 0.25)
FITTING NAIL: COPPER ALLOY
 - メッキ仕様
PLATING
ターミナル: 接点部: 金メッキ 0.25 マイクロメートル以上
CONTACT AREA: GOLD 0.25 MICROMETER MINIMUM
半田付け部: 鉛メッキ 1.0 マイクロメートル以上
SOLDER TAIL AREA: TIN 1.0 MICROMETER MINIMUM
下地メッキ: ニッケルメッキ 1.5 マイクロメートル以上
UNDER-PLATING: NICKEL 1.5 MICROMETER MINIMUM
補強金具: 銅メッキ 1.0 マイクロメートル以上
FITTING NAIL: TIN 1.0 MICROMETER MINIMUM
下地メッキ: ニッケルメッキ 1.0 マイクロメートル以上
UNDER-PLATING: NICKEL 1.0 MICROMETER MINIMUM
 - テールのバラツキ寸法
TAIL COPLANARITY
240種以下のテール平坦度は0.1MAX.,
240種以下のテール平坦度は0.12MAX.とする。
TAILS COPLANARITY TO BE 0.1MAX.
IN 240 CIRCUITS, TAILS COPLANARITY TO BE 0.12MAX.
 - エンボス対応洗いの種類については、SD-52885-004を参照下さい。
FOR THE EMBOSSED PACKAGE PRODUCTS, SEE SD-52885-004.

無し NO	80.47	78.87	75.565	84.07	52885-2474	240
	67.77	66.17	62.865	71.37	52885-2074	200
	55.07	53.47	50.165	58.67	52885-1674	160
	48.72	47.12	43.815	52.32	52885-1474	140
	42.37	40.77	37.465	45.97	52885-1274	120
	36.02	34.42	31.115	39.62	52885-1074	100
	32.85	31.25	27.94	36.45	52885-0974	90
	29.67	28.07	24.765	33.27	52885-0874	80
	26.5	24.9	21.59	30.1	52885-0774	70
	23.32	21.72	18.415	26.92	52885-0674	60
有り YES	20.15	18.55	15.24	23.75	52885-0574	50
	16.97	15.37	12.065	20.57	52885-0474	40
	13.8	12.2	8.89	17.4	52885-0374	30
	10.62	9.02	5.715	14.22	52885-0274	20
ハウジングロック HSG LOCK	D	C	B	A	エンボス梱包 EMBOSSED PACKAGING	種数 CKT. NO.
CONNECTORS SERIES No.					52885-**72	

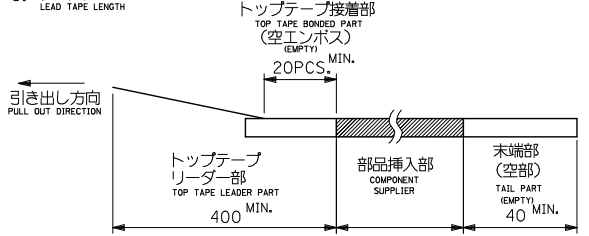
REVISED EC NO. J2010-2458 DRAWN: KAIHO 2010/06/04 CHKDK: TOJO 2010/06/10 APPR: SASAO 2010/06/11	GENERAL TOLERANCES (UNLESS SPECIFIED)		DIMENSION STYLE MM ONLY		SCALE ---	DESIGN UNITS METRIC	THIRD ANGLE PROJECTION
	10 UNDER	± 0.2	DRAWN BY M. NAGATA	DATE 2004/02/25	TITLE 0.635 PITCH B TO B S/T REC. HSG ASSY -LEAD FREE-		
	10 OVER 30 UNDER	± 0.25	CHECKED BY K. TOJO	DATE 2004/02/25	MOLEX INCORPORATED		
	30 OVER	± 0.3	APPROVED BY M. SASAO	DATE 2004/02/25	DOCUMENT NO. SD-52885-003		
	ANGULAR	± 3 °	MATERIAL NO.		SHEET NO. 1 OF 1		
DRAFT WHERE APPLICABLE MUST REMAIN WITHIN DIMENSIONS		SEE CHART		THIS DRAWING CONTAINS INFORMATION THAT IS PROPRIETARY TO MOLEX INCORPORATED AND SHOULD NOT BE USED WITHOUT WRITTEN PERMISSION			

10 9 8 7 6 5 4 3 2 1



注)
NOTES

- 製品番号 52885-***72 の詳細寸法については SD-52885-003 を参照下さい。
IN THE PACKAGE, PART NO. 52885-***72 DETAILED DIMENSIONS, SEE SD-52885-003
- 梱包数量 : 1000個/リール
NUMBER OF CONNECTORS : 1000 PCS/REEL
- リードテープ長さ
LEAD TAPE LENGTH



- トップテープの剥離強度 (剥離方向は下図参照)
PEELING OFF FORCE OF TOP TAPE (PEELING DIRECTION AS SHOWN IN FOLLOWING FIG.)
0.1~0.3N {10~130gf}
尚、本規格値は、出荷時に適用。
(但し、輸送時に剥離が発生しない事。)
(PEEL OFF SHOULD NOT BE ALLOWED, DURING TRANSPORTATION)

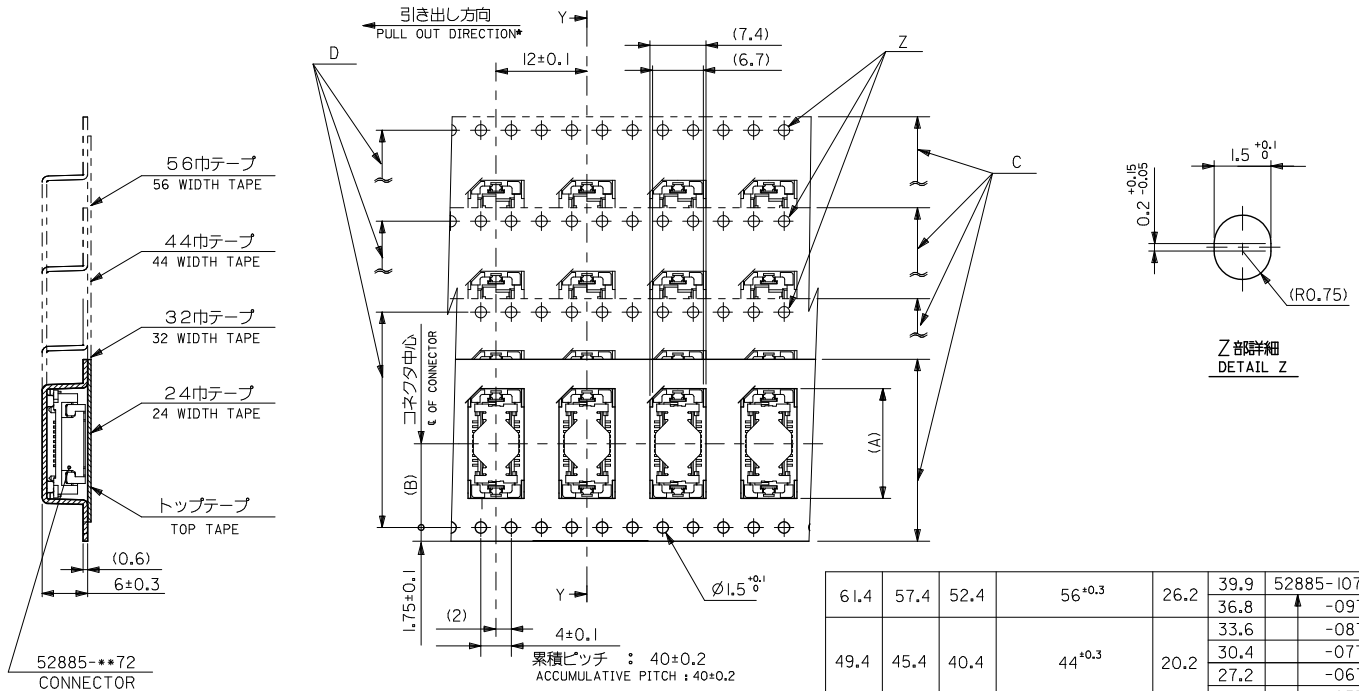


- 材料
MATERIAL
キャリアテープ : ポリプロピレン (PP)
CARRIER TAPE : POLYPROPYLENE (PP)
トップテープ : PET, PE, PEF
TOP TAPE : PET, PE, PEF
リール : キャリアテープ幅 24mm~88mm : ポリスチレン
REEL : CARRIER TAPE WIDTH 24mm~88mm : POLYSTYRENE
キャリアテープ幅 104mm : 紙
CARRIER TAPE WIDTH 104mm : CARD BOARD

REVISED EC NO. J2013-1187 DRAWN: KAIHO 2013/04/18 CHKD: TASHIKAWA 2013/04/18 APPR: HISASAO 2013/04/19		GENERAL TOLERANCES (UNLESS SPECIFIED)		DIMENSION STYLE MM ONLY		CONNECTOR SERIES No. 52885-***72	
		10 UNDER ± ---		DRAWN BY DATE M. NAGATA 2004/02/25		SCALE ---	DESIGN UNITS METRIC
REV F		10 OVER 30 UNDER ± ---		CHECKED BY DATE K. TOJO 2004/02/25		52885-***72 TAPING PACKAGE -LEAD FREE- molex	
		30 OVER ± ---		APPROVED BY DATE M. SASAO 2004/02/25			
F		ANGULAR ± --- °		MATERIAL NO.		DOCUMENT NO.	
		DRAFT WHERE APPLICABLE MUST REMAIN WITHIN DIMENSIONS		SEE TABLE		SD-52885-004	
		SIZE A3		THIS DRAWING CONTAINS INFORMATION THAT IS PROPRIETARY TO MOLEX INCORPORATED AND SHOULD NOT BE USED WITHOUT WRITTEN PERMISSION			
						SHEET NO. 1 OF 3	

9 8 7 6 5 4 3 2 1

10 9 8 7 6 5 4 3 2 1

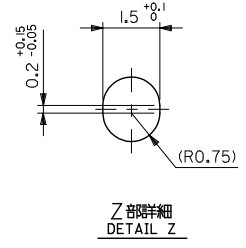
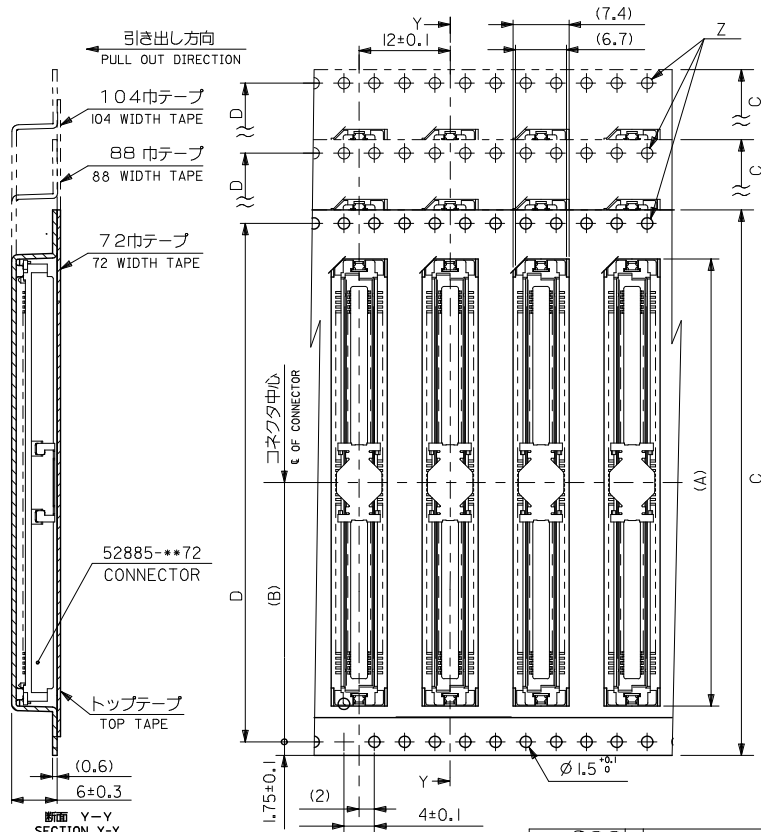


61.4	57.4	52.4	56 ^{+0.3}	26.2	39.9	52885-1074	100
					36.8	-0974	90
					33.6	-0874	80
					30.4	-0774	70
					27.2	-0674	60
					24.1	-0574	50
					20.9	-0474	40
					17.7	-0374	30
					14.5	-0274	20
29.4	25.4		24 ^{+0.3}	11.5	14.5	52885-0274	20
F	E	D	C	モジュール幅 CARRIER TAPE WIDTH	(B)	(A)	MATERIAL NO. 種別 CRT.No.

REVISED IEC NO. J2013-1187 DRAWN: KAIHO 2013/04/19 CHKD: TSKAWA 2013/04/19 APPR: SASAO 2013/04/19 REV DESCRIPTION	GENERAL TOLERANCES (UNLESS SPECIFIED)		DIMENSION STYLE MM ONLY		CONNECTOR SERIES No. 52885-***72
	10 UNDER	±---	DRAWN BY M. NAGATA	DATE 2004/02/25	SCALE ---
	10 OVER 30 UNDER	±---	CHECKED BY K. TOJO	DATE 2004/02/25	DESIGN UNITS METRIC
	30 OVER	±---	APPROVED BY M. SASAO	DATE 2004/02/25	THIRD ANGLE PROJECTION
ANGULAR ±---°		DRAFT WHERE APPLICABLE MUST REMAIN WITHIN DIMENSIONS		MATERIAL NO.	
		SEE TABLE		DOCUMENT NO. SD-52885-004	
		SIZE A3		THIS DRAWING CONTAINS INFORMATION THAT IS PROPRIETARY TO MOLEX INCORPORATED AND SHOULD NOT BE USED WITHOUT WRITTEN PERMISSION	

9 8 7 6 5 4 3 2

10 9 8 7 6 5 4 3 2 1



104.4	100.4	104+0.3	50.2	84.4	52885-2474	240
88.4	84.4	88+0.3	42.2	71.7	52885-2074	200
72.4	68.4	72+0.3	34.2	59.0	52885-1674	160
				52.6	52885-1474	140
				46.3	52885-1274	120
E	D	C	キャリアテープ幅 CARRIER TAPE WIDTH	(B)	(A)	MATERIAL NO. 部品番号 C.R.T.NO.

累積ピッチ : 40±0.2
ACCUMULATIVE PITCH : 40±0.2

REVISED IEC NO. J2013-1187 DRAWN: KAIHO 2013/04/19 CHKD: TSKAWA 2013/04/19 APPR: SASAO 2013/04/19 REV. DESCRIPTION	GENERAL TOLERANCES (UNLESS SPECIFIED)		DIMENSION STYLE		CONNECTOR SERIES No.		52885-**72	
	10 UNDER	±---	MM ONLY		SCALE ---	DESIGN UNITS METRIC	THIRD ANGLE PROJECTION	
	10 OVER 30 UNDER	±---	DRAWN BY M. NAGATA	DATE 2004/02/25	TITLE			
	30 OVER	±---	CHECKED BY K. TOJO	DATE 2004/02/25	52885-**72 TAPING PACKAGE -LEAD FREE-			
	ANGULAR ±---	°	APPROVED BY M. SASAO	DATE 2004/02/25	molex			
DRAFT WHERE APPLICABLE MUST REMAIN WITHIN DIMENSIONS			MATERIAL NO.	SEE TABLE	DOCUMENT NO.	SD-52885-004		SHEET NO. 3 OF 3
			SIZE A3	THIS DRAWING CONTAINS INFORMATION THAT IS PROPRIETARY TO MOLEX INCORPORATED AND SHOULD NOT BE USED WITHOUT WRITTEN PERMISSION				

10 9 8 7 6 5 4 3 2 1