

Excellent Integrated System Limited

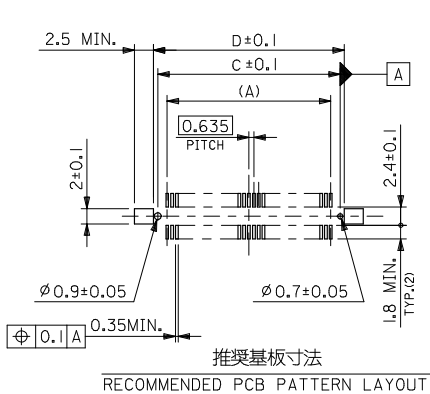
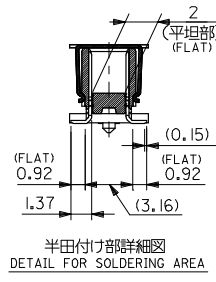
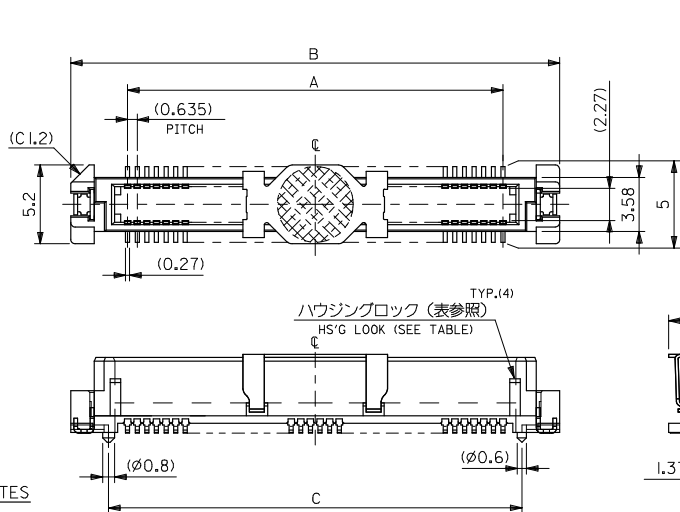
Stocking Distributor

Click to view price, real time Inventory, Delivery & Lifecycle Information:

[Molex Connector Corporation](#)
[0550910674](#)

For any questions, you can email us directly:

sales@integrated-circuit.com

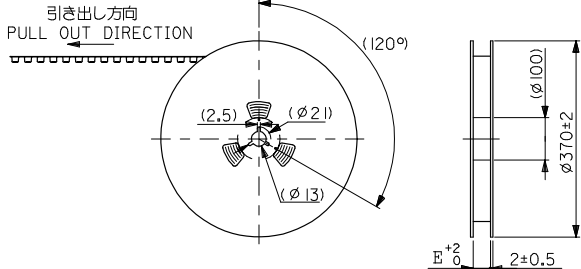


注) NOTES

- 材質
MATERIAL
ハウジング : ガラス入りLCP、黒色、UL94V-0
HOUSING: LIQUID CRYSTAL POLYMER (LCP), GLASS FILLED, BLACK, UL94V-0
ターミナル : 銅合金 (t=0.2)
TERMINAL: COPPER ALLOY
吸着カバー : ステンレス (t=0.2)
VACUUM COVER: STAINLESS STEEL
補強金具 : 銅合金 (t=0.25)
FITTING NAIL: COPPER ALLOY
- メッキ仕様
PLATING
ターミナル : 接点部 : 金メッキ 0.25 マイクロメートル以上。
TERMINAL CONTACT AREA : GOLD 0.25 MICROMETER MINIMUM.
半田付け部 : 錫メッキ 1.0 マイクロメートル以上。
SOLDER TAIL AREA : TIN 1.0 MICROMETER MINIMUM.
下地メッキ : ニッケルメッキ 1.5 マイクロメートル以上。
UNDER-PLATING : NICKEL 1.5 MICROMETER MINIMUM.
補強金具 : 錫メッキ 1.0 マイクロメートル以上。
FITTING NAIL TIN 1.0 MICROMETER MINIMUM.
下地メッキ : ニッケルメッキ 1.0 マイクロメートル以上。
UNDER-PLATING: NICKEL 1.0 MICROMETER MINIMUM.
- テールのバラツキ寸法
TAIL COPLANARITY
テール及び金具の平坦度は、0.1以下とする。
TAIL AND FITTING NAIL COPLANARITY TO BE 0.1 MAXIMUM.
- エンボス対応済みの種数については、SD-55091-007を参照下さい。
FOR THE EMBOSSED PACKAGE PRODUCTS, SEE SD-55091-007.
- 本製品は55091-***2の鉛フリー品である。
THIS PRODUCT IS LEAD FREE OF 55091-***2.

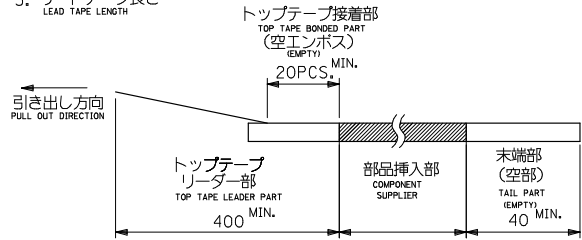
	79.17	78.07	83.07	75.565	←	55091-2475	55091-2472	240	○
無し NO	66.47	65.37	70.37	62.865	←	-2075	-2072	200	○
	60.12	59.02	64.02	56.515	←	-1875	-1872	180	○
	53.77	52.67	57.67	50.165	55091-1674	-1675	-1672	160	○
	47.42	46.32	51.32	43.815	55091-1474	-1475	-1472	140	○
	41.07	39.97	44.97	37.465	55091-1274	-1275	-1272	120	○
	34.72	33.62	38.62	31.115	55091-1074	-1075	-1072	100	○
	31.55	30.45	35.45	27.94	55091-0974	-0975	-0972	90	○
	28.37	27.27	32.27	24.765	55091-0874	-0875	-0872	80	○
	25.2	24.1	29.1	21.59	55091-0774	-0775	-0772	70	○
	24.56	23.46	28.46	20.955	←	-6875	-6872	68	○
有り YES	22.02	20.92	25.92	18.415	55091-0674	-0675	-0672	60	○
	18.85	17.75	22.75	15.24	55091-0574	-0575	-0572	50	○
	15.67	14.57	19.57	12.065	55091-0474	-0475	-0472	40	○
	12.5	11.4	16.4	8.89	55091-0374	-0375	-0372	30	○
	9.32	8.22	13.22	5.715	55091-0274	55091-0275	55091-0272	20	○

REVISED EC NO.: J2009-0365 DRAWN BY: CHIKO HARUYAMA CHECKED BY: APPRANKI TA DATE: 2008/08/07	GENERAL TOLERANCES (UNLESS SPECIFIED)	DIMENSION STYLE MM ONLY	SCALE ---	DESIGN UNITS METRIC	THIRD ANGLE PROJECTION
	10 UNDER ±0.2	DRAWN BY: H. KAWABATA DATE: '04/03/05	TITLE 0.635 PITCH B-T-O-B PLUG HS'G COVER ASS'Y -LEAD FREE-	EMBOSSED PACKAGING STICK PACKAGING	製品番号 MATERIAL NO.
	10 OVER 30 UNDER ±0.25	CHECKED BY: K. TOJO DATE: '04/03/05	MOLEX INCORPORATED	ORDER No. オナー番号	種数 CKT. NO.
	30 OVER ±0.3	APPROVED BY: M. SASAO DATE: '04/03/05	DOCUMENT NO. SD-55091-006	シート番号 SHEET NO. 1 OF 1	数量 QTY.
ANGULAR ±3°	DRAFT WHERE APPLICABLE MUST REMAIN WITHIN DIMENSIONS	SIZE A3	THIS DRAWING CONTAINS INFORMATION THAT IS PROPRIETARY TO MOLEX INCORPORATED AND SHOULD NOT BE USED WITHOUT WRITTEN PERMISSION		



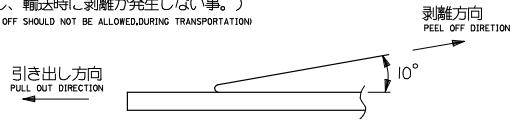
注)
NOTES

- 製品番号 55091-***72 の詳細寸法については、SD-55091-006 を参照下さい。
IN THE PACKAGE, PART NO. 55901-***72 DETAILED DIMENSIONS, SEE SD-55091-006.
- 梱包数量 : 1000 個/リール
NUMBER OF CONNECTORS : 1000 PCS/REEL
- リードテープ長さ
LEAD TAPE LENGTH



- トップテープの剥離強度 : (剥離方向は下図参照)
PEELING OFF FORCE OF TOP TAPE (PEELING DIRECTION AS SHOWN IN FOLLOWING FIG.)
0. 1~1. 3N {10~130gf}

尚、本規格値は、出荷時に適用。
THIS REQUIREMENT SHOULD BE APPLIED AT SHIPMENT
(但し、輸送時に剥離が発生しない事。)
(PEEL OFF SHOULD NOT BE ALLOWED DURING TRANSPORTATION)



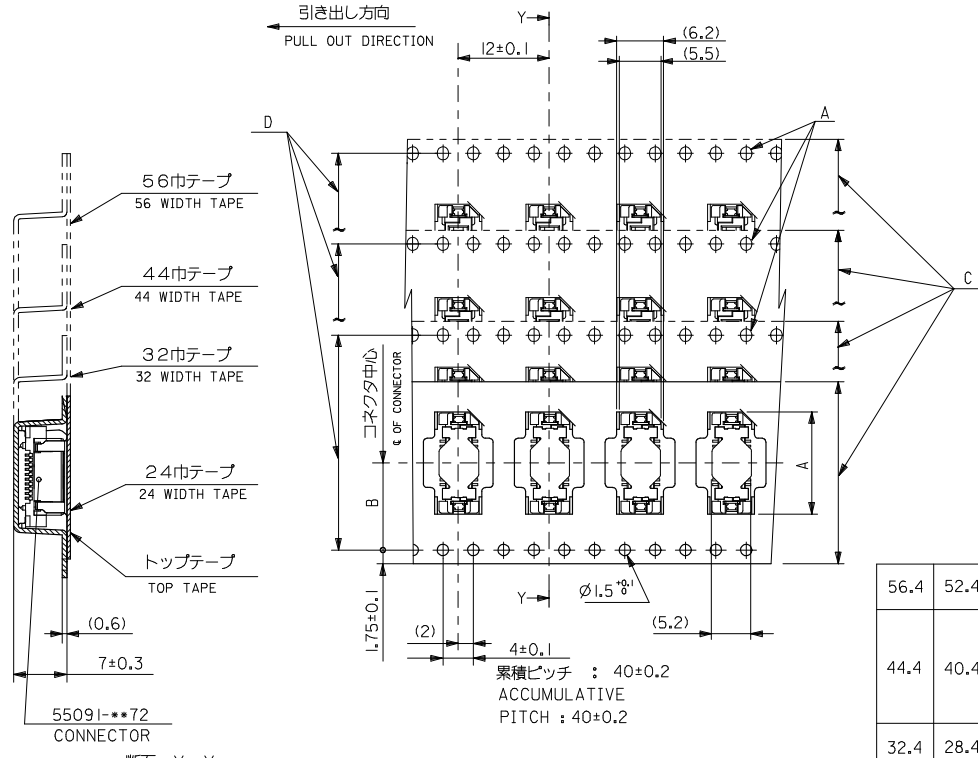
5. 材料

MATERIAL
キャリアテープ : ポリプロピレン (PP)
CARRIER TAPE : POLYPROPYLENE (PP)
トップテープ : PET, PE, PEF
TOP TAPE : PET, PE, PEF
リール : 紙
REEL : CARDBOARD

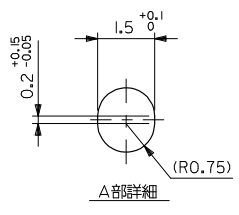
- 本製品は55091-***4の鉛フリー品である。
THIS PRODUCT IS LEAD FREE OF 55091-***4.

MODEL NO. 55091-***74

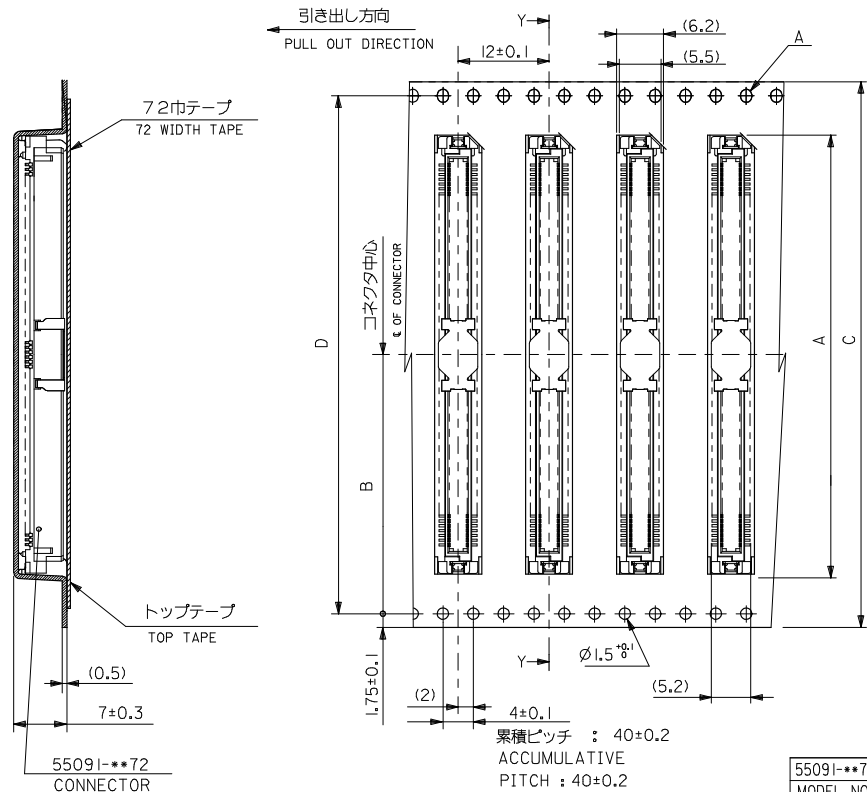
REVISED EC NO.: J2009-0365 DRAWN BY: CHYU:THAYAMA CHECKED BY: APPRANKITA DATE: 2008/08/06 DATE: 2008/08/07 DATE: 2008/08/07	DESCRIPTION	GENERAL TOLERANCES (UNLESS SPECIFIED)		DIMENSION STYLE MM ONLY		SCALE	DESIGN UNITS	THIRD ANGLE PROJECTION	
		10 UNDER	±0.2	DRAWN BY	DATE	---	METRIC	55091-***72 TAPING PACKAGE -LEAD FREE-	
		10 OVER 30 UNDER	±0.25	KAWABATA	'04/03/05	TITLE			
		30 OVER	±0.3	CHECKED BY	DATE	MOLEX INCORPORATED			
ANGULAR ±3°		DRAFT WHERE APPLICABLE MUST REMAIN WITHIN DIMENSIONS		APPROVED BY	DATE	DOCUMENT NO.		SHEET NO.	
				MSASAO	'04/03/05	SD-55091-007		1 OF 3	
				MATERIAL NO. SEE SHEET 2,3		THIS DRAWING CONTAINS INFORMATION THAT IS PROPRIETARY TO MOLEX INCORPORATED AND SHOULD NOT BE USED WITHOUT WRITTEN PERMISSION			



56.4	52.4	56 ^{+0.3}	26.2	38.9	55091-1074	100	○
				35.8	-0974	90	○
				32.6	-0874	80	○
				29.4	-0774	70	○
44.4	40.4	44 ^{+0.3}	20.2	28.8	-6874	68	-
				26.2	-0674	60	○
				23.1	-0574	50	○
32.4	28.4	32 ^{+0.3}	14.2	19.9	-0474	40	○
				16.7	-0374	30	○
55091-74	24.4	24 ^{+0.3}	11.5	13.5	55091-0274	20	○



REVISED	DESCRIPTION	GENERAL TOLERANCES (UNLESS SPECIFIED)	DIMENSION STYLE	SCALE	DESIGN UNITS	THIRD ANGLE PROJECTION
EC NO: J2009-0365	2008/08/06	10 UNDER ±0.2	MM ONLY	---	METRIC	☉
DRAWN BY: CHIKO HARUYAMA	2008/08/07	10 OVER 30 UNDER ±0.25	DRAWN BY: KAWABATA	DATE: '04/03/05	TITLE: 55091-72 TAPING PACKAGE -LEAD FREE-	
APPROVED BY: APPRANKITA	2008/08/07	30 OVER ±0.3	CHECKED BY: KTOJO	DATE: '04/03/05	APPROVED BY: MSASAO	DATE: '04/03/05
		ANGULAR ±3°	APPROVED BY: MSASAO	DATE: '04/03/05	MATERIAL NO. SEE TABLE	DOCUMENT NO. SD-55091-007
		DRAFT WHERE APPLICABLE MUST REMAIN WITHIN DIMENSIONS	MATERIAL NO. SEE TABLE	SIZE: A3	INCORPORATED AND SHOULD NOT BE USED WITHOUT WRITTEN PERMISSION	SHEET NO. 2 OF 3



MODEL NO.	55091-**-74	E	D	C	キャリアテープ幅 CARRIER TAPE WIDTH	(B)	(A)	MATERIAL NO.	種数 NO. OF QTY. AVAILABLE	数量 QTY.	品番 PART NO.
		72.4	68.4		72±0.3	34.2	58.0	55091-1674	160	○	
							51.6	55091-1474	140	○	
							45.3	55091-1274	120	○	

REVISION	DESCRIPTION	DATE	BY
REVISED	EC NO.: J2009-0365	2009/08/06	
	DRW: NHABE	2008/08/07	
	CHK: THAYAMA	2008/08/07	
	APP: RINKITA	2008/08/07	

GENERAL TOLERANCES (UNLESS SPECIFIED)	DIMENSION STYLE	SCALE	DESIGN UNITS
10 UNDER ±0.2	MM ONLY	---	METRIC
10 OVER 30 UNDER ±0.25			
30 OVER ±0.3			
ANGULAR ±3°			
DRAFT WHERE APPLICABLE MUST REMAIN WITHIN DIMENSIONS		TITLE	THIRD ANGLE PROJECTION
		DRAWN BY	KAWABATA
		CHECKED BY	KT0JO
		APPROVED BY	MSASAO
		MATERIAL NO.	SEE TABLE
		DOCUMENT NO.	SD-55091-007
		SHEET NO.	3 OF 3