

Excellent Integrated System Limited

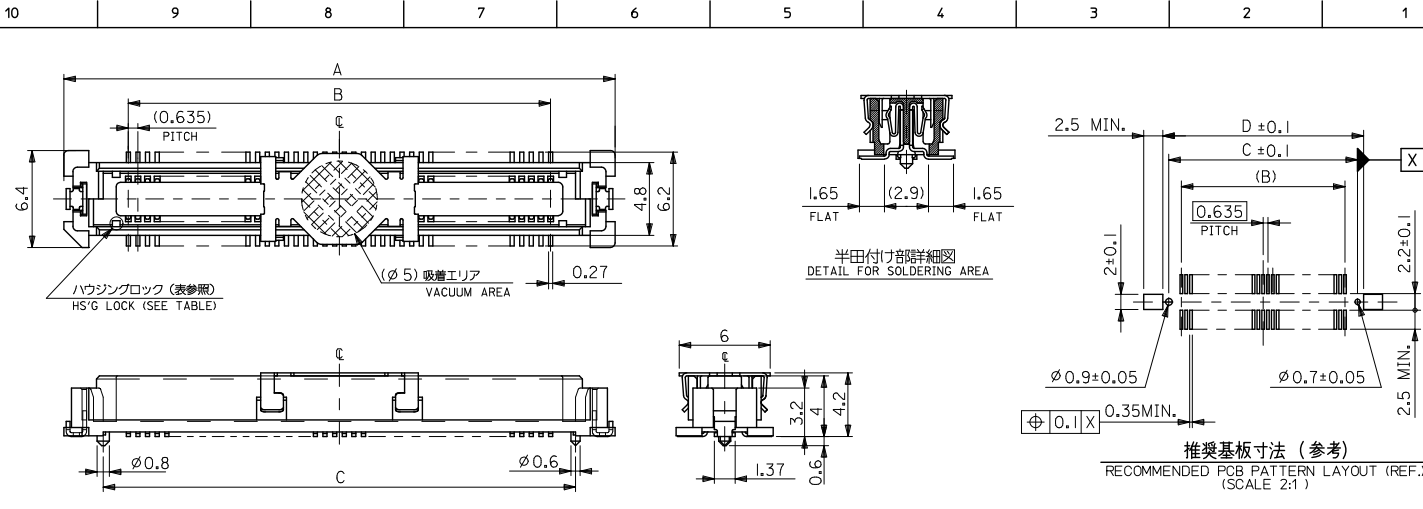
Stocking Distributor

Click to view price, real time Inventory, Delivery & Lifecycle Information:

[Molex Connector Corporation](#)
[0528851674](#)

For any questions, you can email us directly:

sales@integrated-circuit.com



注) NOTES

1. 材質
MATERIAL
ハウジング: ガラス入りULCP, 白色, UL94V-0
HOUSING: G.F.LCP, WHITE, UL94V-0
ターミナル: 銅合金 (t = 0.2)
TERMINAL: COPPER ALLOY
吸着カバー: ステンレス (t = 0.2)
VACUUM COVER: STAINLESS STEEL
補強金具: 銅合金 (t = 0.25)
FITTING NAIL: COPPER ALLOY

2. メッキ仕様
PLATING
ターミナル: 接点部: 金メッキ 0.25 マイクロメートル以上
CONTACT AREA: GOLD 0.25 MICROMETER MINIMUM
半田付け部: 錫メッキ 1.0 マイクロメートル以上
SOLDER TAIL AREA: TIN 1.0 MICROMETER MINIMUM
下地メッキ: ニッケルメッキ 1.5 マイクロメートル以上
UNDER-PLATING: NICKEL 1.5 MICROMETER MINIMUM
補強金具: 錫メッキ 1.0 マイクロメートル以上
FITTING NAIL: TIN 1.0 MICROMETER MINIMUM
下地メッキ: ニッケルメッキ 1.0 マイクロメートル以上
UNDER-PLATING: NICKEL 1.0 MICROMETER MINIMUM

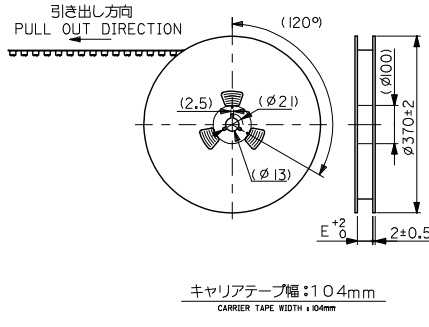
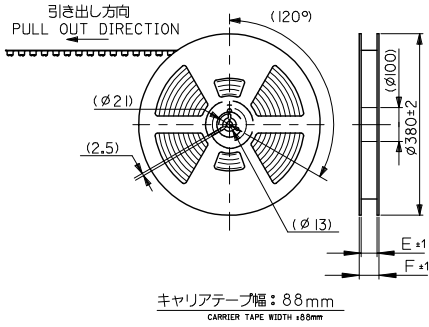
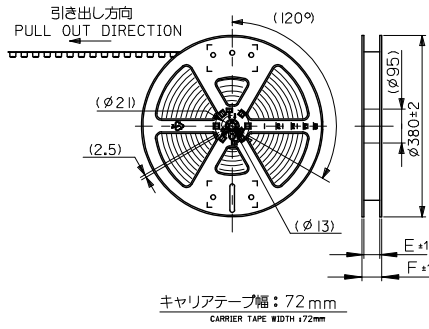
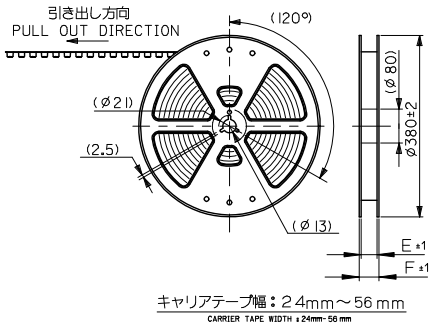
3. テールのバラツキ寸法
TAIL COPLANARITY
240種以下のテール平坦度は0.1MAX.,
240種以下のテール平坦度は0.12MAX.とする.
TAILS COPLANARITY TO BE 0.1MAX.
IN 240 CIRCUITS, TAILS COPLANARITY TO BE 0.12MAX.

4. エンボス対応洗いの種類については、SD-52885-004を参照下さい。
FOR THE EMBOSSED PACKAGE PRODUCTS, SEE SD-52885-004.

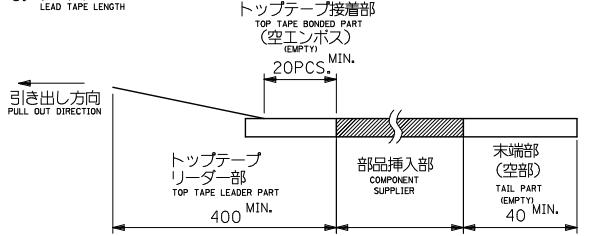
無し NO	80.47	78.87	75.565	84.07	52885-2474	240
	67.77	66.17	62.865	71.37	52885-2074	200
	55.07	53.47	50.165	58.67	52885-1674	160
	48.72	47.12	43.815	52.32	52885-1474	140
	42.37	40.77	37.465	45.97	52885-1274	120
	36.02	34.42	31.115	39.62	52885-1074	100
	32.85	31.25	27.94	36.45		90
	29.67	28.07	24.765	33.27		80
	26.5	24.9	21.59	30.1		70
	23.32	21.72	18.415	26.92		60
有り YES	20.15	18.55	15.24	23.75		50
	16.97	15.37	12.065	20.57		40
	13.8	12.2	8.89	17.4		30
	10.62	9.02	5.715	14.22		20
ハウジングロック HSG LOCK	D	C	B	A	エンボス梱包 EMBOSSED PACKAGING	種数 CKT. NO.
CONNECTORS SERIES No.					52885-72	

REVISED EC NO. J2010-2458 DRAWN: KAIHO 2010/06/04 CHKDK: TOJO 2010/06/10 APPR: SASAO 2010/06/11	GENERAL TOLERANCES (UNLESS SPECIFIED)		DIMENSION STYLE MM ONLY		SCALE ---	DESIGN UNITS METRIC	THIRD ANGLE PROJECTION
	10 UNDER	± 0.2	DRAWN BY M. NAGATA	DATE 2004/02/25	TITLE 0.635 PITCH B TO B S/T REC. HSG ASSY -LEAD FREE-		
	10 OVER 30 UNDER	± 0.25	CHECKED BY K. TOJO	DATE 2004/02/25	MOLEX INCORPORATED		
	30 OVER	± 0.3	APPROVED BY M. SASAO	DATE 2004/02/25	DOCUMENT NO. SD-52885-003		
	ANGULAR ± 3 °		MATERIAL NO.		SHEET NO. 1 OF 1		
DRAFT WHERE APPLICABLE MUST REMAIN WITHIN DIMENSIONS		SEE CHART		THIS DRAWING CONTAINS INFORMATION THAT IS PROPRIETARY TO MOLEX INCORPORATED AND SHOULD NOT BE USED WITHOUT WRITTEN PERMISSION			

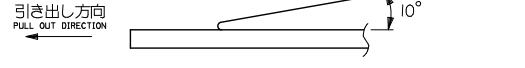
10 9 8 7 6 5 4 3 2 1



- 注)
NOTES
- 製品番号 52885-***72 の詳細寸法については SD-52885-003 を参照下さい。
IN THE PACKAGE, PART NO. 52885-***72 DETAILED DIMENSIONS, SEE SD-52885-003
 - 梱包数量 : 1000個/リール
NUMBER OF CONNECTORS : 1000 PCS/REEL
 - リードテープ長さ
LEAD TAPE LENGTH



- トップテープの剥離強度 (剥離方向は下図参照)
PEELING OFF FORCE OF TOP TAPE (PEELING DIRECTION AS SHOWN IN FOLLOWING FIG.)
0.1 ~ 0.3N { 10 ~ 130gf }
尚、本規格値は、出荷時に適用。
(但し、輸送時に剥離が発生しない事。)
(PEEL OFF SHOULD NOT BE ALLOWED, DURING TRANSPORTATION)



- 材料
MATERIAL
キャリアテープ : ポリプロピレン (PP)
CARRIER TAPE : POLYPROPYLENE (PP)
トップテープ : PET, PE, PEF
TOP TAPE : PET, PE, PEF
リール : キャリアテープ幅 24mm ~ 88mm : ポリスチレン
REEL : CARRIER TAPE WIDTH 24mm ~ 88mm : POLYSTYRENE
キャリアテープ幅 104mm : 紙
CARRIER TAPE WIDTH 104mm : CARD BOARD

CONNECTOR SERIES No.		52885-***72	
SCALE	DESIGN UNITS	THIRD ANGLE PROJECTION	
---	METRIC	◎ □	
TITLE			
52885-***72 TAPING PACKAGE -LEAD FREE-			
molex			
DOCUMENT NO.			SHEET NO.
SD-52885-004			1 OF 3
MATERIAL NO.			
SEE TABLE			
THIS DRAWING CONTAINS INFORMATION THAT IS PROPRIETARY TO MOLEX INCORPORATED AND SHOULD NOT BE USED WITHOUT WRITTEN PERMISSION			

GENERAL TOLERANCES (UNLESS SPECIFIED)		DIMENSION STYLE	
		MM ONLY	
10 UNDER	± ---	DRAWN BY	DATE
10 OVER 30 UNDER	± ---	M. NAGATA	2004/02/25
30 OVER	± ---	CHECKED BY	DATE
		K. TOJO	2004/02/25
ANGULAR	± --- °	APPROVED BY	DATE
		M. SASAO	2004/02/25
DRAFT WHERE APPLICABLE MUST REMAIN WITHIN DIMENSIONS		MATERIAL NO.	
		SEE TABLE	

9 8 7 6 5 4 3 2 1

10 9 8 7 6 5 4 3 2 1

F

E

D

C

B

A

F

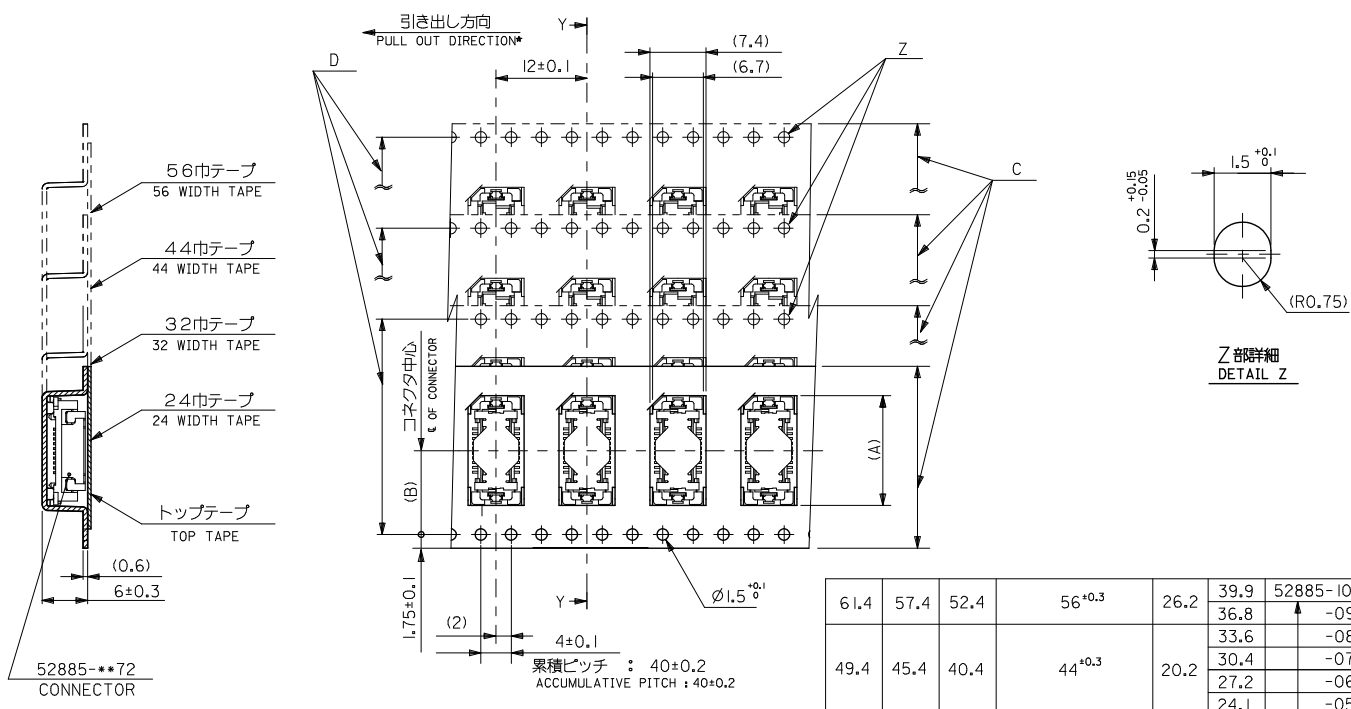
E

D

C

B

A



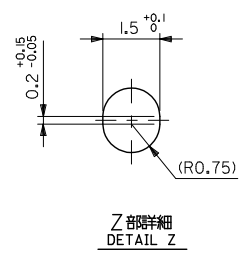
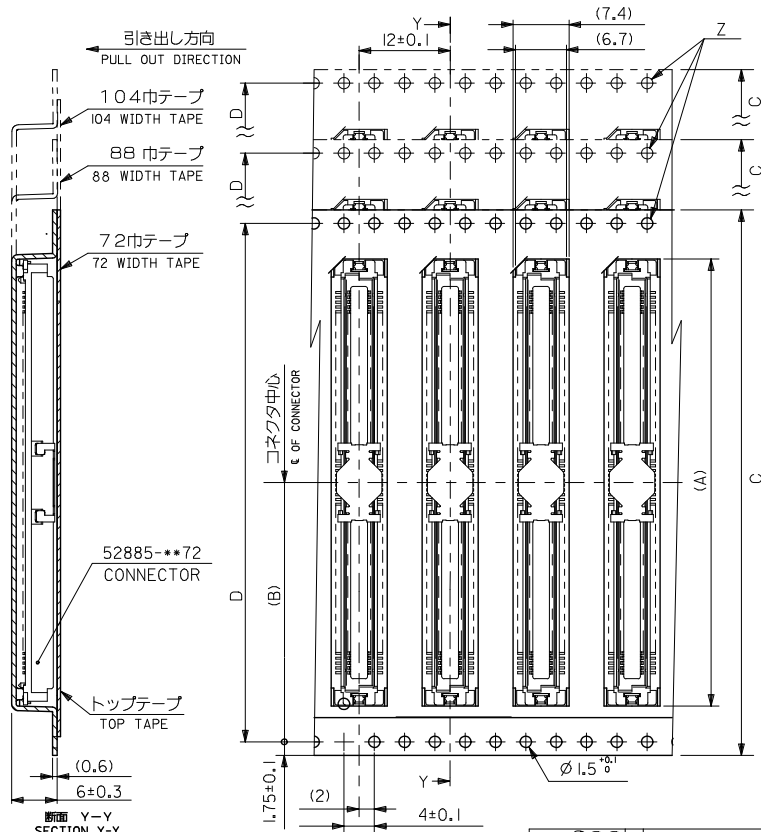
61.4	57.4	52.4	56 ^{+0.3}	26.2	39.9	52885-1074	100
					36.8	-0974	90
					33.6	-0874	80
					30.4	-0774	70
					27.2	-0674	60
					24.1	-0574	50
					20.9	-0474	40
					17.7	-0374	30
					14.5	-0274	20
29.4	25.4		24 ^{+0.3}	11.5	14.5	52885-0274	20
F	E	D	C	モジュール幅 CARRIER TAPE WIDTH	(B)	(A)	MATERIAL NO. 種別 CRT.No.

断面 Y-Y
SECTION Y-Y

REVISED IEC NO. J2013-1187 DRAWN: KAIHO 2013/04/19 CHKD: TASHIKAWA 2013/04/19 APPR: SASAO 2013/04/19	GENERAL TOLERANCES (UNLESS SPECIFIED)		DIMENSION STYLE MM ONLY		CONNECTOR SERIES No. 52885-***72
	10 UNDER	±---	DRAWN BY M. NAGATA	DATE 2004/02/25	SCALE ---
	10 OVER 30 UNDER	±---	CHECKED BY K. TOJO	DATE 2004/02/25	DESIGN UNITS METRIC
	30 OVER	±---	APPROVED BY M. SASAO	DATE 2004/02/25	THIRD ANGLE PROJECTION
	ANGULAR	±--- °	MATERIAL NO.		DOCUMENT NO.
DRAFT WHERE APPLICABLE MUST REMAIN WITHIN DIMENSIONS			SEE TABLE		SD-52885-004
			SIZE A3		THIS DRAWING CONTAINS INFORMATION THAT IS PROPRIETARY TO MOLEX INCORPORATED AND SHOULD NOT BE USED WITHOUT WRITTEN PERMISSION

9 8 7 6 5 4 3 2

10 9 8 7 6 5 4 3 2 1



累積ピッチ : 40±0.2
ACCUMULATIVE PITCH : 40±0.2

104.4	100.4	104+0.3	50.2	84.4	52885-2474	240
88.4	84.4	88+0.3	42.2	71.7	52885-2074	200
72.4	68.4	72+0.3	34.2	59.0	52885-1674	160
				46.3	52885-1274	120
E	D	C	キャリアテープ幅 CARRIER TAPE WIDTH	(B)	(A)	MATERIAL NO. 種番 CRT. NO.

REVISED REV DESCRIPTION	IEC NO. J2013-1187	2013/04/19	GENERAL TOLERANCES (UNLESS SPECIFIED)	DIMENSION STYLE MM ONLY	CONNECTOR SERIES No. 52885-***72	SCALE ---	DESIGN UNITS METRIC	THIRD ANGLE PROJECTION
	DRWN:TAIHO	2013/04/19	10 UNDER ±---	DRAWN BY DATE M. NAGATA 2004/02/25	TITLE 52885-***72 TAPING PACKAGE -LEAD FREE-			
	CHKD:TAKAKAWA	2013/04/19	10 OVER 30 UNDER ±---	CHECKED BY DATE K. TOJO 2004/02/25	APPROVED BY DATE M. SASAO 2004/02/25			
	APPR:HSASAO	2013/04/19	30 OVER ±---	ANGULAR ±--- °	MATERIAL NO. SEE TABLE	DOCUMENT NO. SD-52885-004	SHEET NO. 3 OF 3	
			DRAFT WHERE APPLICABLE MUST REMAIN WITHIN DIMENSIONS	SIZE A3	THIS DRAWING CONTAINS INFORMATION THAT IS PROPRIETARY TO MOLEX INCORPORATED AND SHOULD NOT BE USED WITHOUT WRITTEN PERMISSION			

9 8 7 6 5 4 3 2